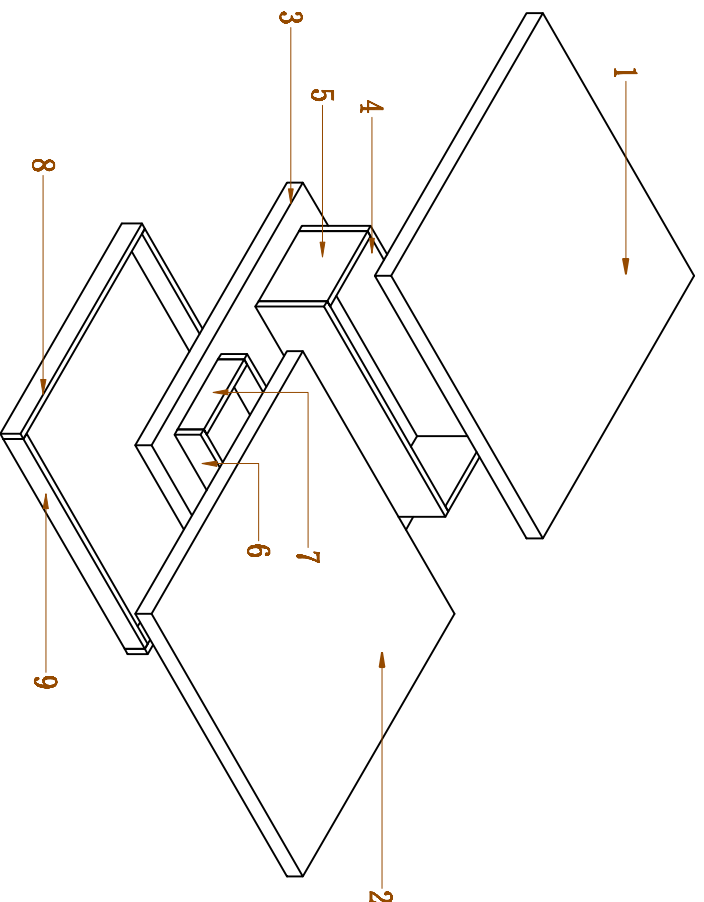


NOTICE DE MONTAGE

Page:1/3

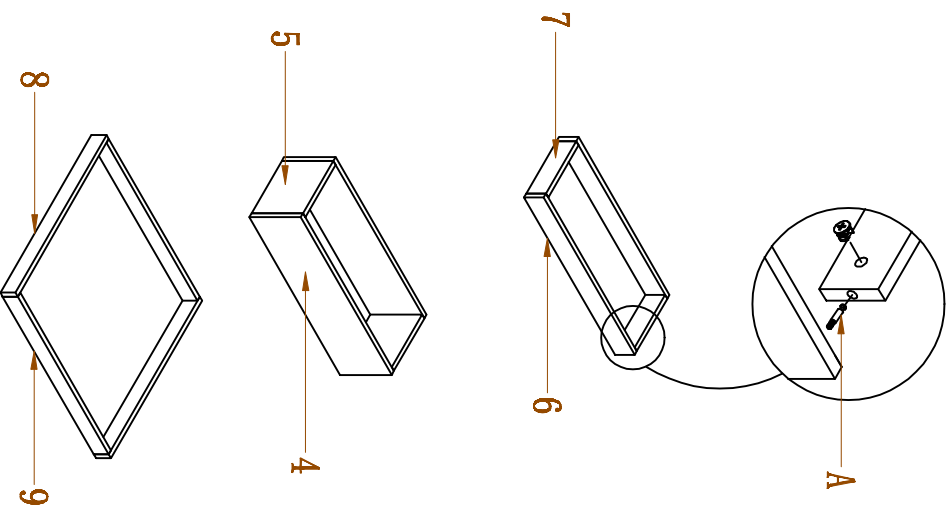


Nomenclature	Quantité
①	1
②	1
③	1
④	2
⑤	2
⑥	2
⑦	2
⑧	2
⑨	2

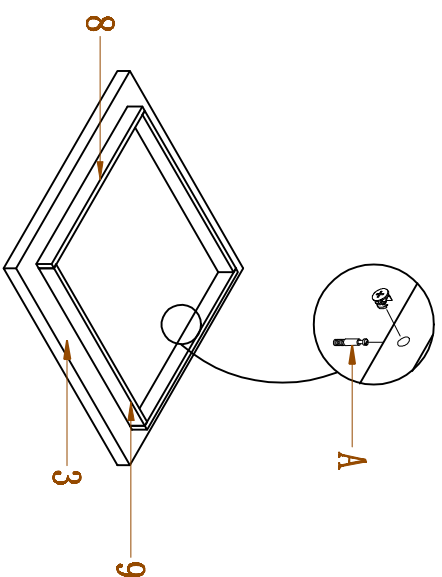
NOTICE DE MONTAGE

Page: 2/3

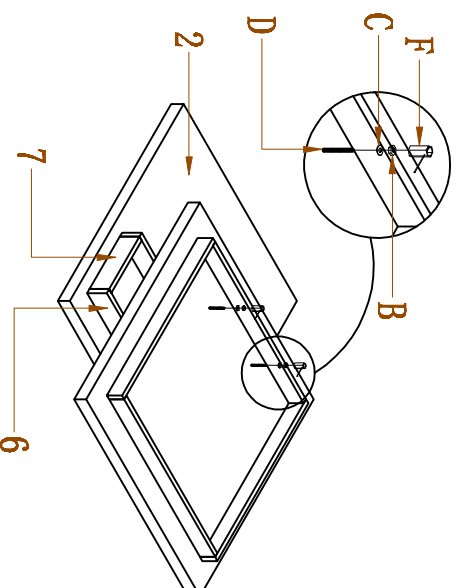
Etape 1









Etape 2



Etape 3

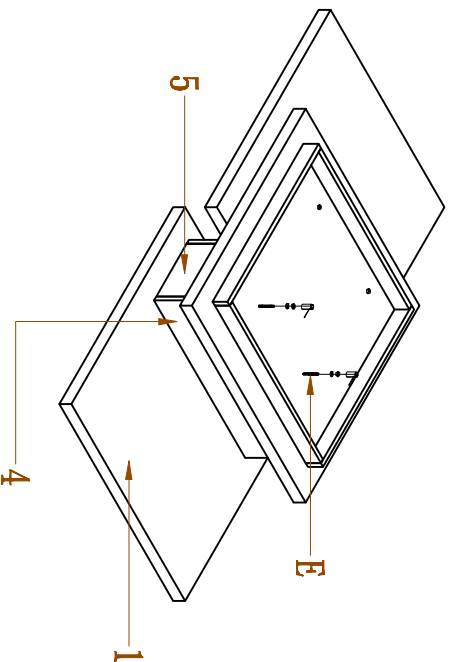


Nomenclature		Quantité
A		20
B		4
C		4
D		2
E		2
F		1
G		
H		
I		
J		
K		

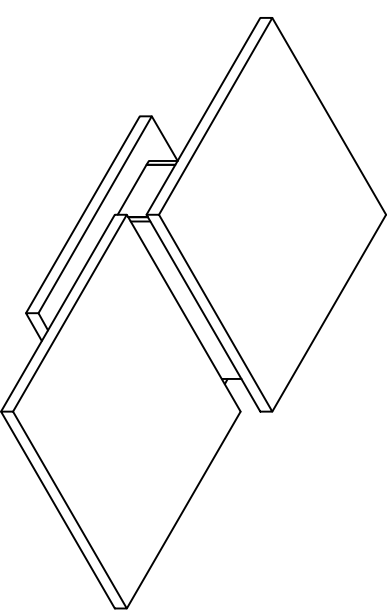
NOTICE DE MONTAGE

Page: 3/3

Etape 4



Etape 5



FR: SAV/INFORMATION /VIDEO/CONTACT
GB: SAV/INFORMATION/VIDEO/CONTACT
DE: KUNDENDIENST/INFORMATIONEN /VIDEO/KONTAKT
ES: SERVICIO POST-VENTA/INFORMACION/VIDEO/CONTACTAR
IT: SERVIZIO ASSISTENZA/INFORMAZIONI/VIDEO/CONTATTO
PT: SERVIÇO PÓS-VENDA/INFORMAÇÕES/VIDEO/CONTATO
PL: SERWIS TECHNICZNY/INFORMACJE/VIDEO/KONTAKT
NE: AFTER SALES SERVICE/INFORMATE/VIDEO/CONTACT
HE: שירות הלקוחות/מידע/הדפוס

www.gecodis.com