
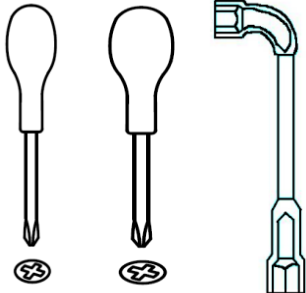

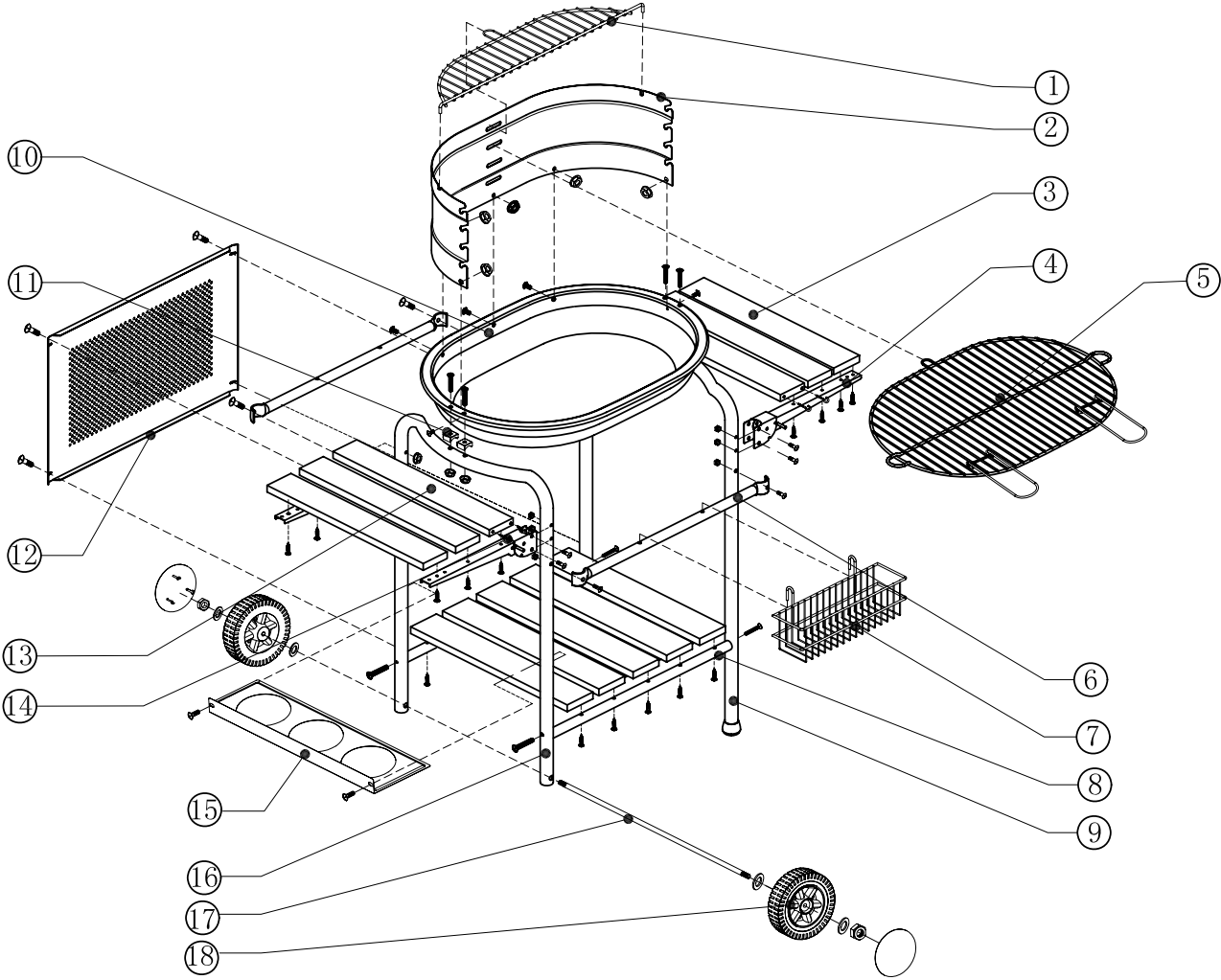
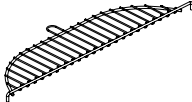
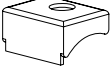
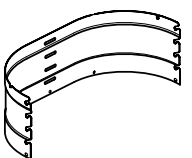
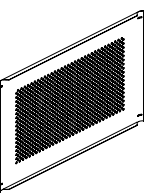
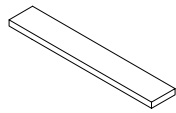
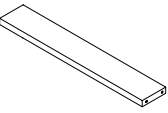
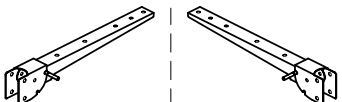

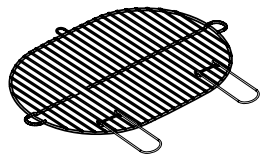
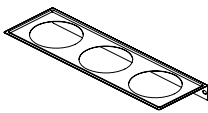
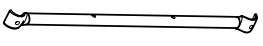
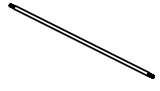
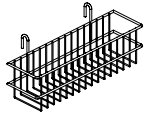
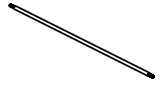
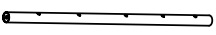
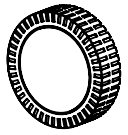
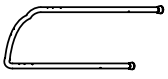
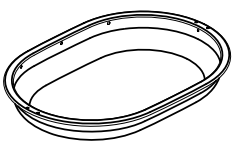
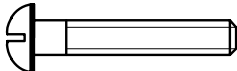
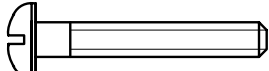
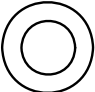


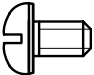


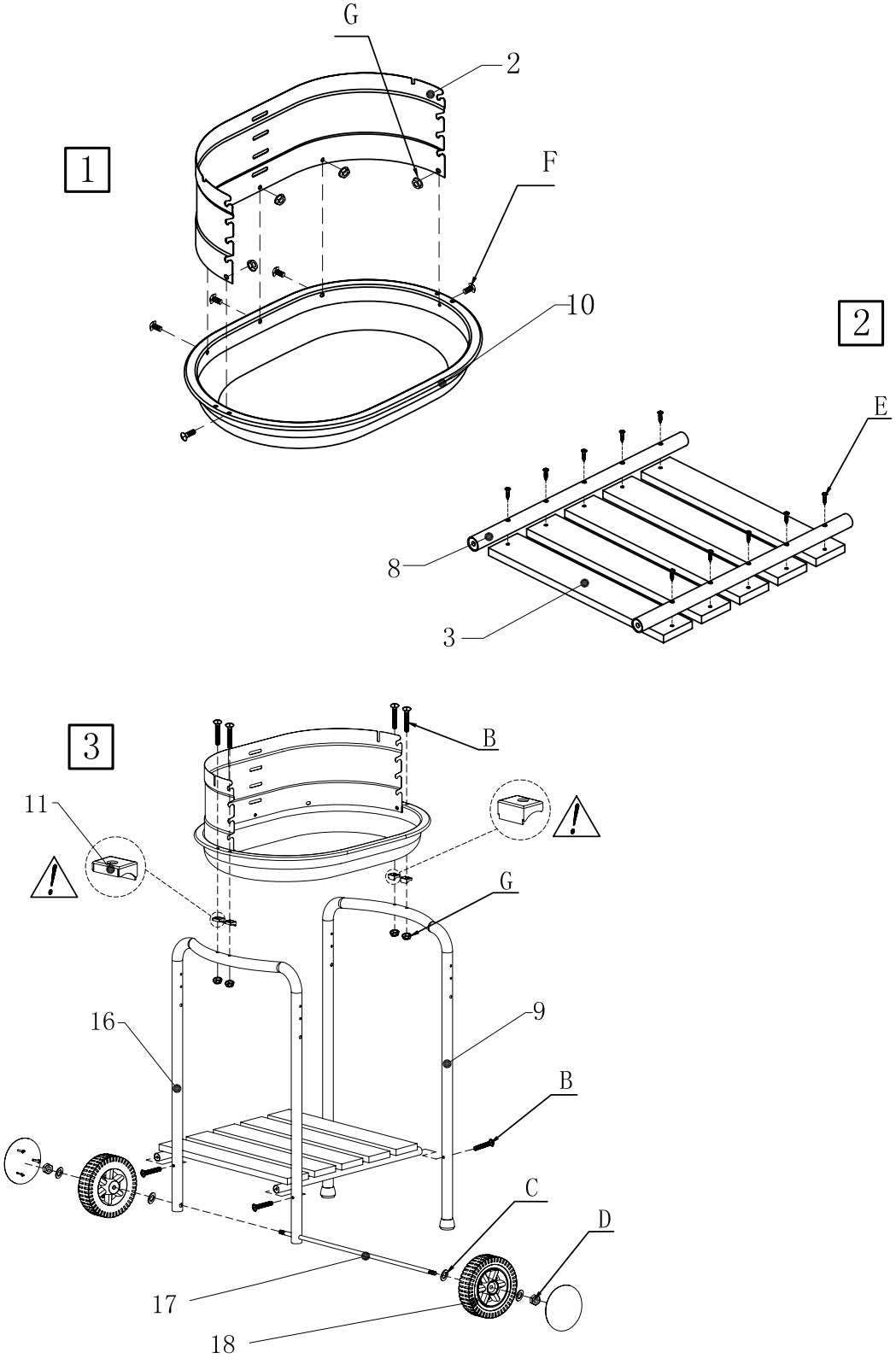


| | | |
|---|--|---|
|  |  |  40min |
|---|--|---|

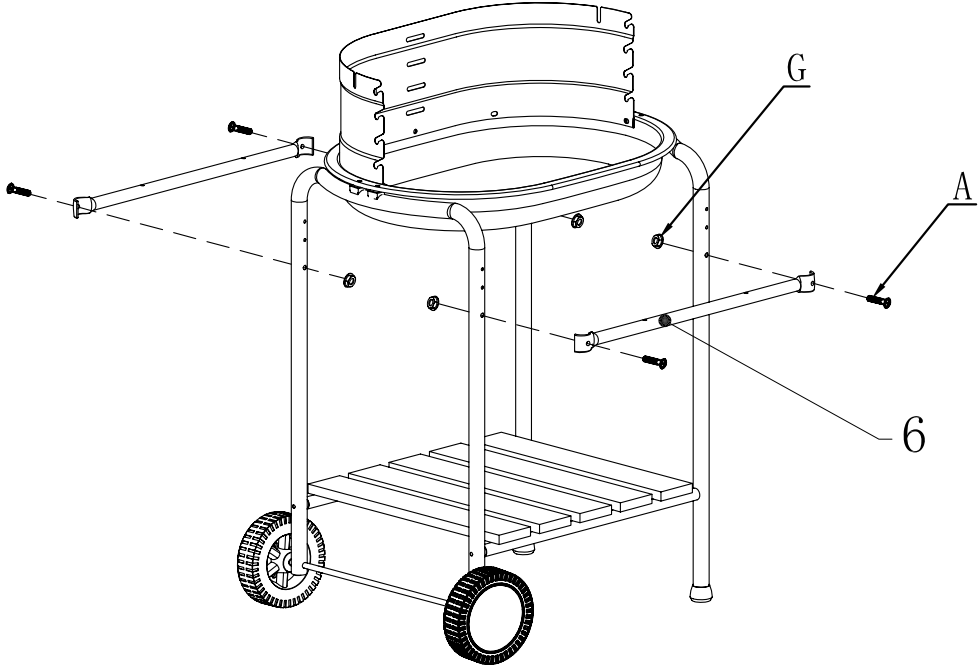


| NO. | DESCRIPTION | QTY | NO. | DESCRIPTION | QTY |
|-----|---|-----|-----|---|-----|
| ① |  | 1 | ⑪ |  | 4 |
| ② |  | 1 | ⑫ |  | 1 |
| ③ |  | 9 | ⑬ |  | 2 |
| ④ |  | 2 | ⑭ |  | 4 |
| ⑤ |  | 1 | ⑮ |  | 1 |
| ⑥ |  | 2 | ⑯ |  | 1 |
| ⑦ |  | 1 | ⑰ |  | 1 |
| ⑧ |  | 2 | ⑱ |  | 2 |
| ⑨ |  | 1 | | | |
| ⑩ |  | 1 | | | |

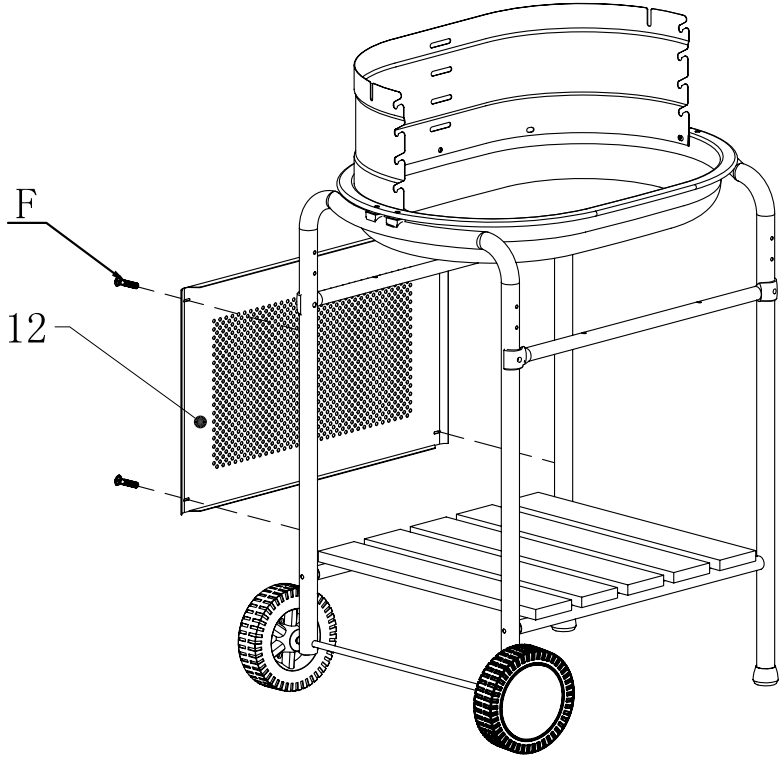
| NO. | DESCRIPTION | SPEC | QTY |
|-----|---|-------------|-------|
| A |  | M6 × 35 | 12PCS |
| B |  | M6 × 40 | 8PCS |
| C |  | M8 | 4PCS |
| D |  | M8 | 2PCS |
| E |  | ST4. 2 × 30 | 10PCS |
| F |  | M6 × 10 | 11PCS |
| G |  | M6 | 21PCS |
| H |  | ST4. 2 × 13 | 12PCS |



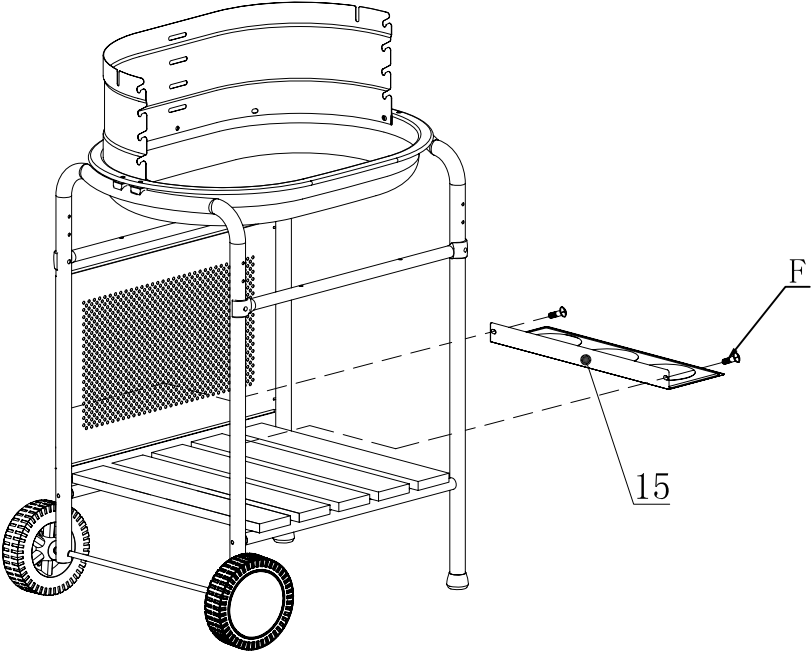
4



5



6



7

