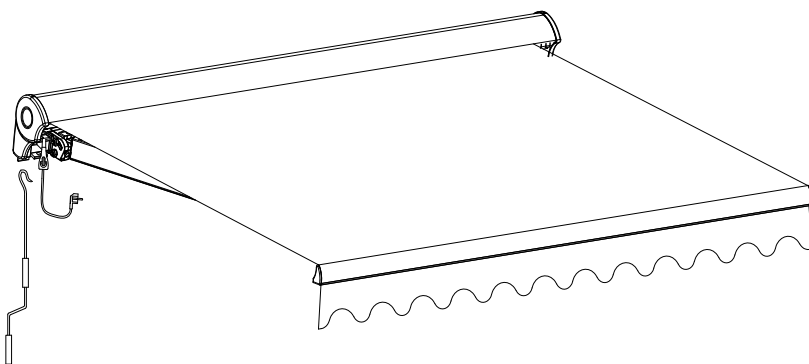




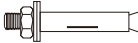
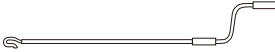
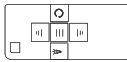



STORE BANNE MOTORISE AVEC LED

1418_100106

1418_103153

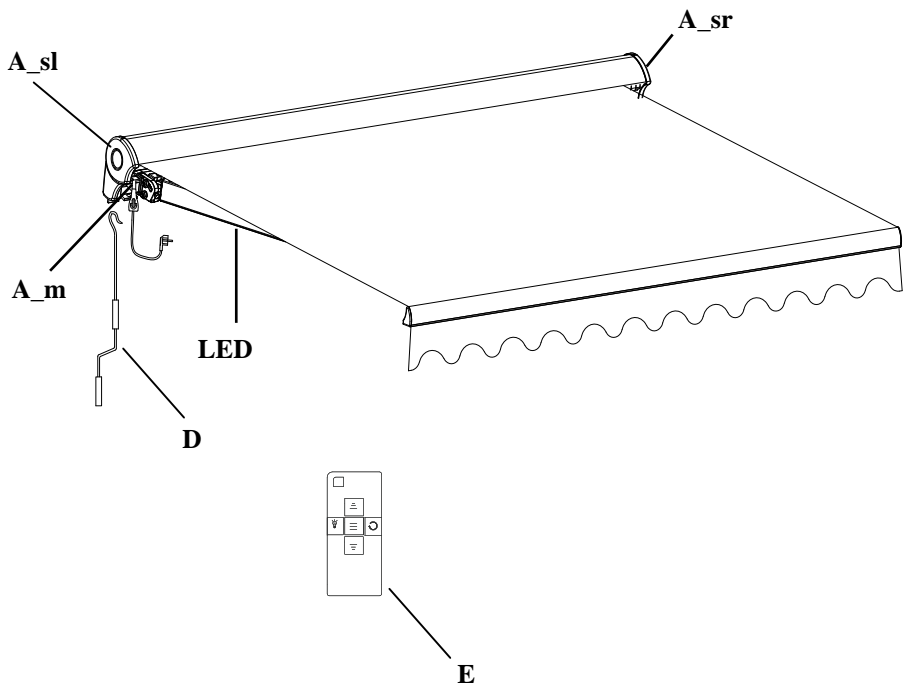
1418_103154



| | | | | | | |
|--|---|--------------------|---|------------|------------|------------|
| <p>1418_100106 1418_103153 1418_103154</p> | | <p>A</p> |  | <p>-</p> | <p>× 1</p> | <p>1/1</p> |
| <p>B</p> |  | <p>126x79x45mm</p> | <p>× 3</p> | <p>1/1</p> | | |
| <p>C</p> |  | <p>10x100mm</p> | <p>× 6</p> | <p>1/1</p> | | |
| <p>D</p> |  | <p>160cm</p> | <p>× 1</p> | <p>1/1</p> | | |
| <p>E</p> |  | <p>120x40x14mm</p> | <p>× 1</p> | <p>1/1</p> | | |
| <p>F</p> |  | <p>200x10x10mm</p> | <p>× 1</p> | <p>1/1</p> | | |
| <p>G</p> |  | <p>120x38x17mm</p> | <p>× 1</p> | <p>1/1</p> | | |
| <p>H</p> |  | <p>16x14x1mm</p> | <p>× 1</p> | <p>1/1</p> | | |

EN: AFTER-SALES SERVICES/INFORMATION/VIDEO/CONTACT
FR: SAV/INFORMATION/VIDEO/CONTACT
ES: SERVICIO POST-VENTA/INFORMACIÓN/VIDEO/CONTACTO
IT: SERVIZIO ASSISTENZA/INFORMAZIONI/VIDEO/CONTATTO
DE : REPARATUR-SERVICE UND ERSATZTEILE /INFORMATIONEN /VIDEO/KONTAKT
PT: SERVIÇO PÓS-VENDA/INFORMAÇÕES/VIDEO/CONTATO
PL: SERWIS TECHNICZNY/INFORMACJE/WIDEO/KONTAKT
NE: AFTER SALES SERVICE/INFORMATIE/VIDEO/CONTACT
HE: סע רשקתל/ואדיווה/ עדימ/תוריקמו תוריש רחאל

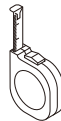
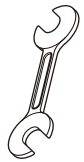
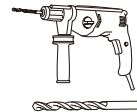
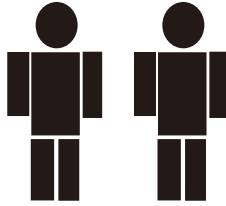
SAV.HABITATETJARDIN.COM



EN: AFTER-SALES SERVICES/INFORMATION/VIDEO/CONTACT
 FR: SAV/INFORMATION/VIDEO/CONTACT
 ES: SERVICIO POST-VENTA/INFORMACIÓN/VIDEO/CONTACTO
 IT: SERVIZIO ASSISTENZA/INFORMAZIONI/VIDEO/CONTATTO
 DE : REPARATUR-SERVICE UND ERSATZTEILE /INFORMATIONEN /VIDEO/KONTAKT
 PT: SERVIÇO PÓS-VENDA/INFORMAÇÕES/VIDEO/CONTATO
 PL: SERWIS TECHNICZNY/INFORMACJE/WIDEO/KONTAKT
 NE: AFTER SALES SERVICE/INFORMATIE/VIDEO/CONTACT
 HE: מע רשקתל/ואדיווה/ עדימ/תוריקמו תוריש רחאל

SAV.HABITATETJARDIN.COM

| | |
|----------------------|--|
| GB | 1418_100106 / 1418_103153 / 1418_103154 |
| Size | 3950×3000 |
| Electrical data | 230V~,50Hz,1A, 220W, IPX4 |
| FR | 1418_100106 / 1418_103153 / 1418_103154 |
| Taille | 3950×3000 |
| Données électriques | 230V~,50Hz,1A, 220W, IPX4 |
| PL | 1418_100106 / 1418_103153 / 1418_103154 |
| Rozmiar | 3950×3000 |
| Dane elektryczne | 230V~,50Hz,1A, 220W, IPX4 |
| DE | 1418_100106 / 1418_103153 / 1418_103154 |
| Größe | 3950×3000 |
| Elektrische Daten | 230V~,50Hz,1A, 220W, IPX4 |
| NL | 1418_100106 / 1418_103153 / 1418_103154 |
| Grootte | 3950×3000 |
| Elektrische gegevens | 230V~,50Hz,1A, 220W, IPX4 |
| ES | 1418_100106 / 1418_103153 / 1418_103154 |
| Tamaño | 3950×3000 |
| Datos electricos | 230V~,50Hz,1A, 220W, IPX4 |
| PT | 1418_100106 / 1418_103153 / 1418_103154 |
| Tamanho | 3950×3000 |
| Dados eléctricos | 230V~,50Hz,1A, 220W, IPX4 |
| IT | 1418_100106 / 1418_103153 / 1418_103154 |
| Dimensione | 3950×3000 |
| Dati elettrici | 230V~,50Hz,1A, 220W, IPX4 |
| HE | 1418_100106 / 1418_103153 / 1418_103154 |
| גודל | 3950×3000 |
| נתונים חשמליים | 230V~,50Hz,1A, 220W, IPX4 |





GB Installation
DE Installation
PT Instalação

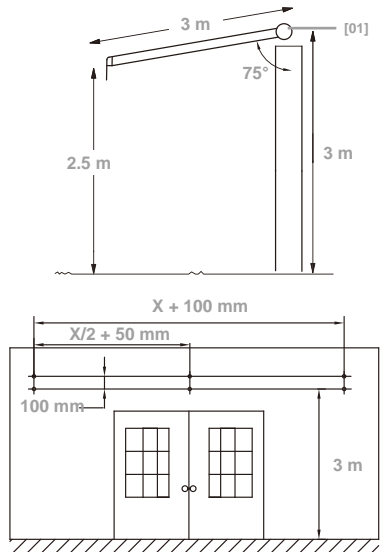
FR Installation
NL Installatie
IT Installazione

PL Instalacja
ES Instalación
HE התקנה

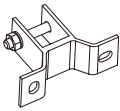
01



A x 1



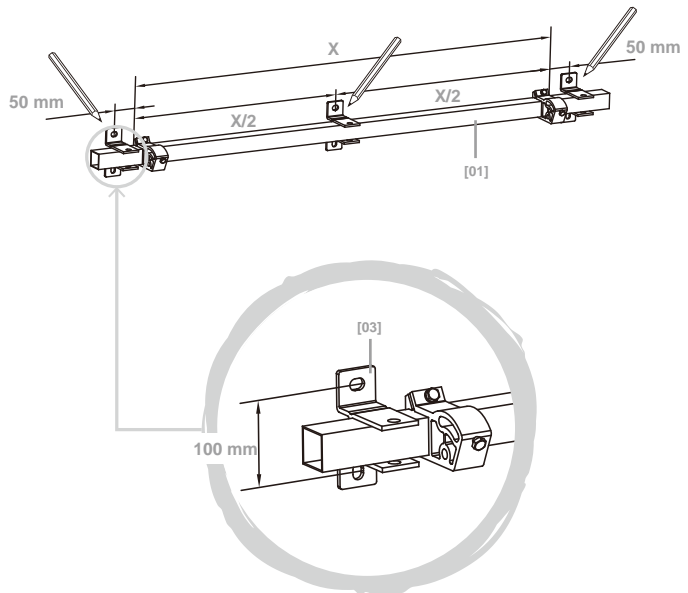
02



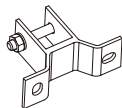
B x 3



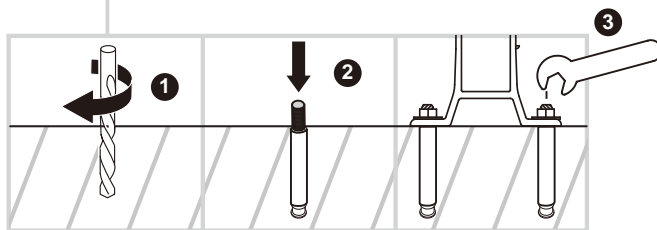
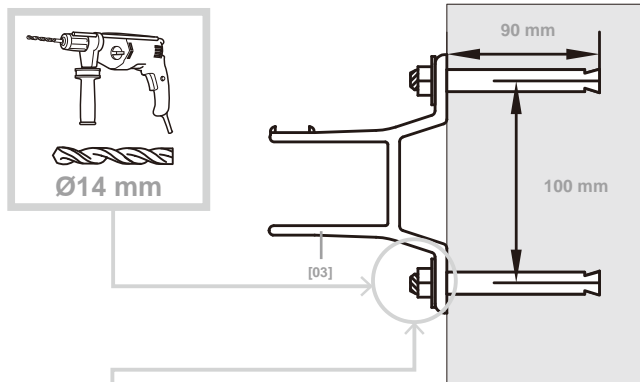
C x 6



03



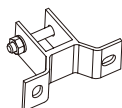
B x 3



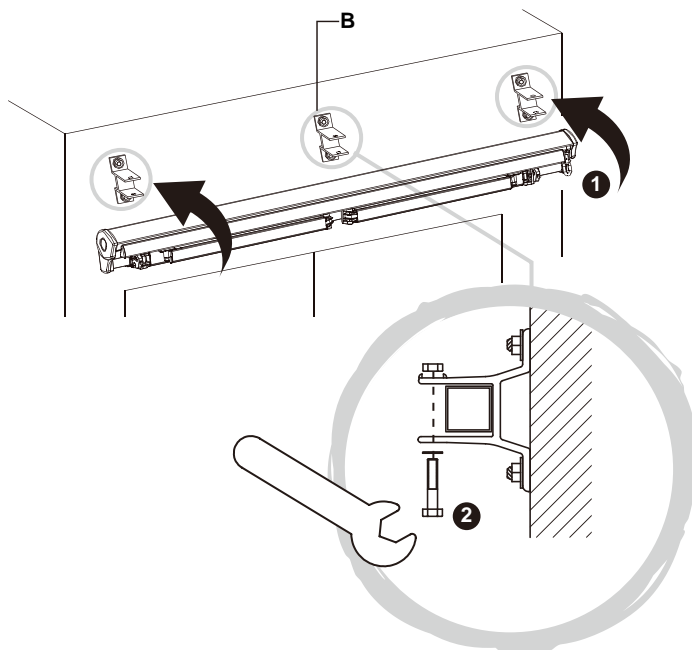
04



A x 1



B x 3



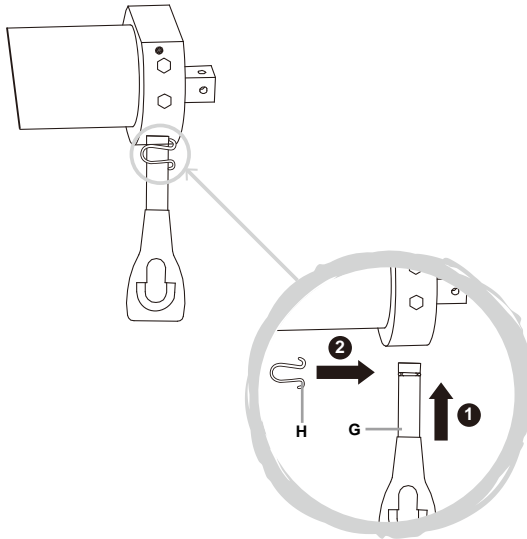
05



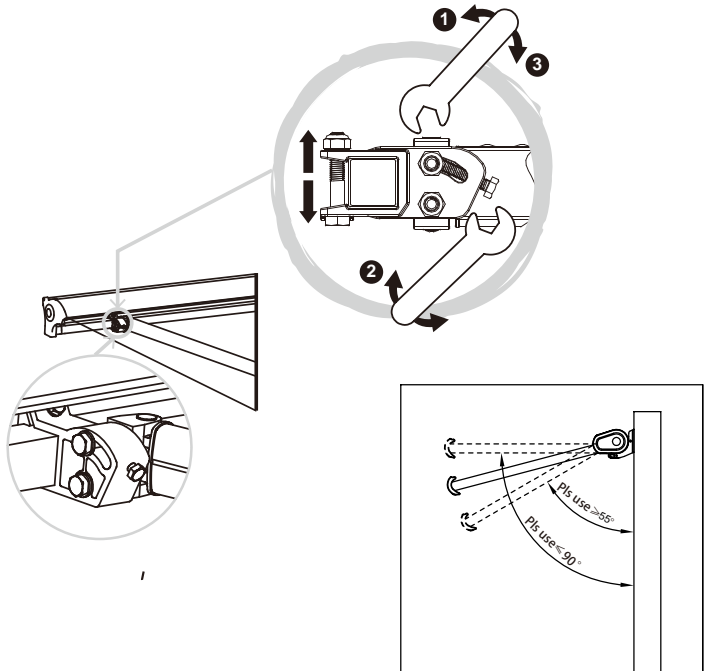
G x 1



H x 1



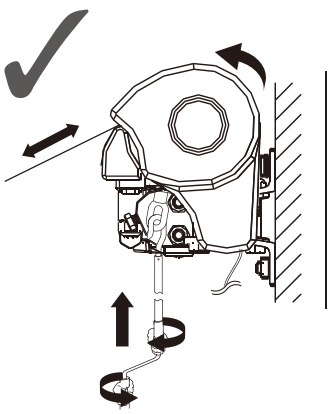
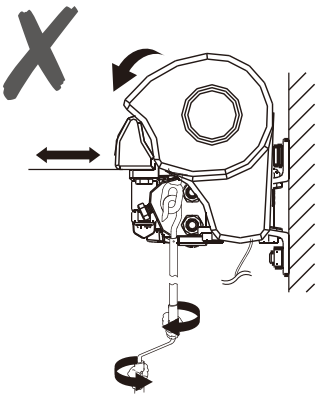
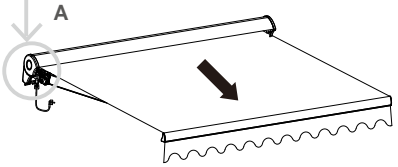
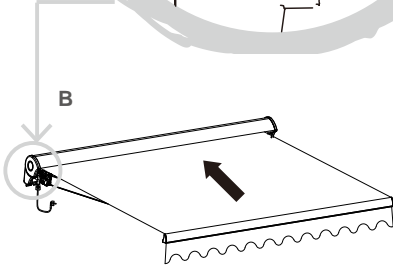
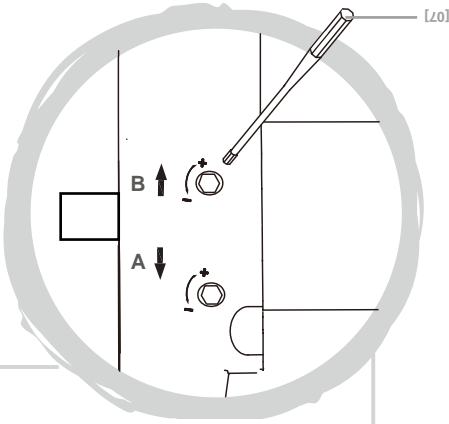
06



07

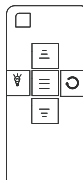


Fx1





- GB Use
- FR Utilisation
- PL Użytkowanie
- DE Verwenden
- NL Gebruiken
- ES Uso
- PT Utilização
- IT Utilizzare
- HE השתמש

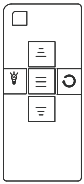


Ex 1

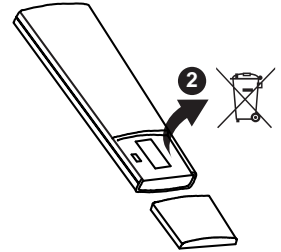
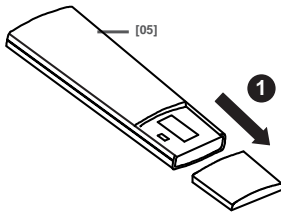
| | Button | Function |
|--------|-----------------|---|
| GB | ⬆ Up | Close the awning |
| | ⏸ Stop | Stop the opening/closing of the awning |
| | ⬇ Down | Open the awning |
| | 💡 LED | Open and close LED |
| | ⦿ Null | No function |
| FR | Bouton | Fonction |
| | ⬆ Haut | Fermer le store |
| | ⏸ Arrêt | Arrêter l'ouverture / la fermeture du store |
| | ⬇ Bas | Ouvrir le store |
| | 💡 LED | LED d'ouverture et de fermeture |
| PL | Przycisk | Funkcja |
| | ⬆ W górę | Zamykanie markizy |
| | ⏸ Stop | Zatrzymanie otwierania/zamykania markizy |
| | ⬇ W dół | Otwieranie markizy |
| | 💡 LED | Otwieranie i zamykanie DIODY LED |
| DE | Button | Fonction |
| | ⬆ Oben | Schließen Sie die Markise |
| | ⏸ Stoppen | Stopp des Öffnens/Schließen der Markise |
| | ⬇ Daunter | Öffnen Sie die Markise |
| | 💡 LED | LED öffnen und schließen |
| IT | Przycisk | Funkcja |
| | ⬆ Fino | Chiudere la tenda |
| | ⏸ Fermare | Fermare l'apertura/chiusura della tenda |
| | ⬇ Giù | Aprire la tenda |
| | 💡 LED | LED di apertura e chiusura |
| ES | Botón | Función |
| | ⬆ Arriba | Cerrar el toldo |
| | ⏸ Detener | Detener el cierre / apertura del toldo |
| | ⬇ Abajo | Abrir el toldo |
| | 💡 LED | LED de apertura y cierre |
| PT | Botão | Função |
| | ⬆ Para cima | Fechar o toldo |
| | ⏸ Parar | Parar a abertura / fecho do toldo |
| | ⬇ Para baixo | Abrir o toldo |
| | 💡 LED | Abrir e fechar LED |
| NL | Knop | Functie |
| | ⬆ Up | Sluit de luifel |
| | ⏸ Stoppen | Stop de opening/sluiting van de luifel |
| | ⬇ Neer | Open de luifel |
| | 💡 LED | Open en sluiten LED |
| HE | חָבֵן | פונקציה |
| | ⬆ אָט | סגור את הסככה |
| | ⏸ עֲצוּר | להפסיק את הפתיחה/הסגירה של הסככה |
| | ⬇ לְמַטָּה | פתיח את הסככה |
| | 💡 LED | פתוחה ונסגרת LED נורית |
| ⦿ Null | אין פונקציה | |



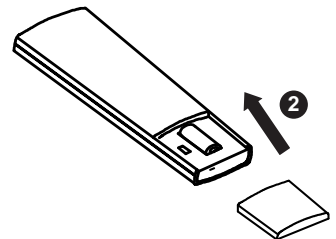
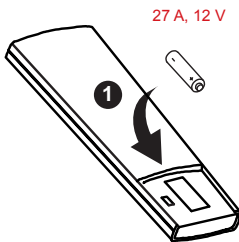
01



Ex 1



02





GB Care
DE Pflege
PT Aviso

FR Entretien
NL Zorg
IT Cura

PL Pielegnacja
ES Advertancia
HE אכפתלי

