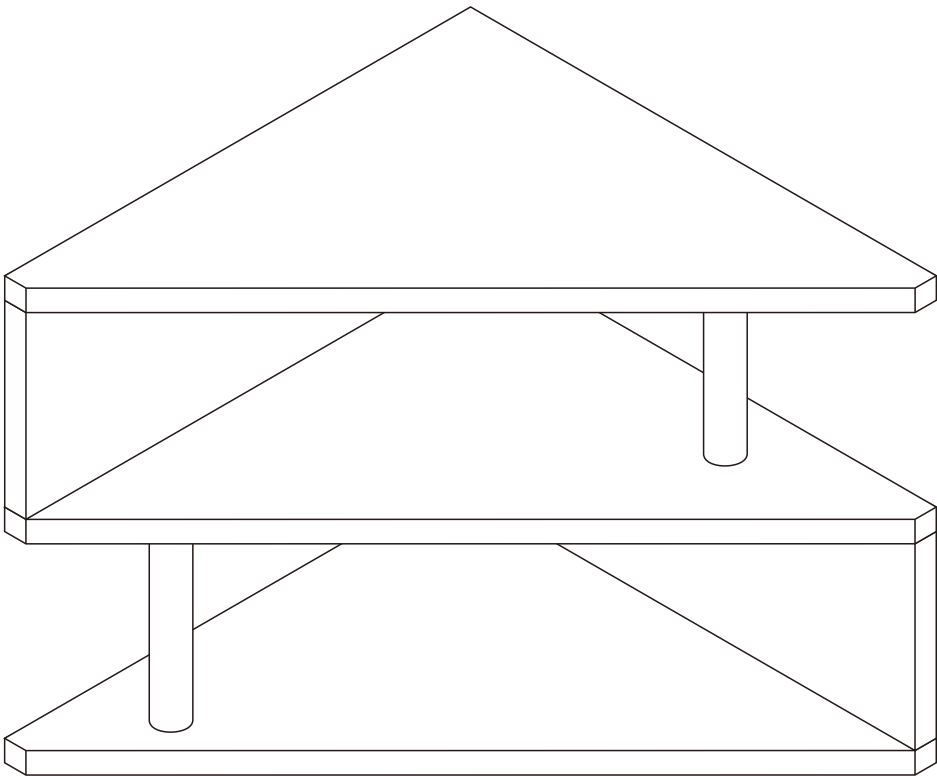
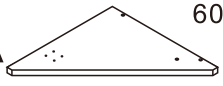
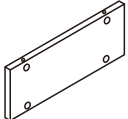

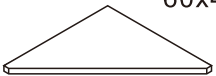
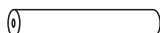
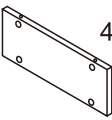

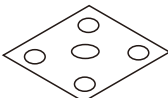






Penola

1417_103809



| 1417_103809 | | | |
|---|-----|--|-----|
| A  60x41 x1 | 1/1 | B  60x27.5 x1 | 1/1 |
| C  60x41 x1 | 1/1 | D  60x41 x1 | 1/1 |
| E  x2 | 1/1 | F  41x27.5 x1 | 1/1 |
| a  x8 | 1/1 | b  x2 | 1/1 |
| c  x8 | 1/1 | d  M8x40 x2 | 1/1 |
| e  M8x10 x2 | 1/1 | f  x3 | 1/1 |

FR : SAV/INFORMATION /VIDEO/CONTACT

EN: AFTER-SALES SERVICE/INFORMATION/VIDEO/CONTACT

DE : REPARATUR-SERVICE UND ERSATZTEILE /INFORMATIONEN /VIDEO/KONTAKT

ES: SERVICIO POST-VENTA/INFORMACION/VIDEO/CONTACTO

IT: SERVIZIO ASSISTENZA/INFORMAZIONI/VIDEO/CONTATTO

PT: SERVIÇO PÓS-VENDA/INFORMAÇÕES/VIDEO/CONTATO

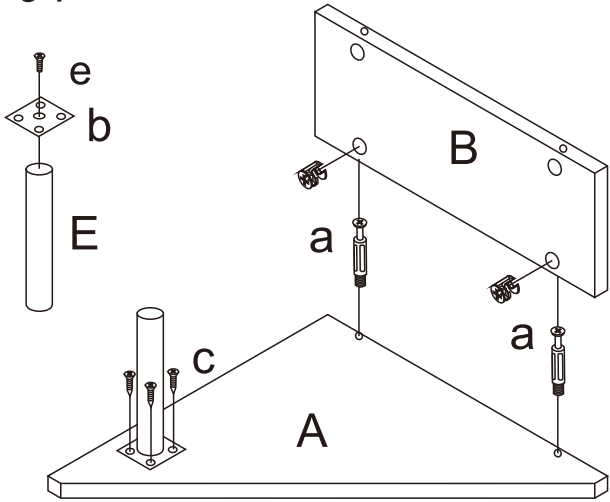
PL: SERWIS TECHNICZNY/INFORMACJE/WIDEO/KONTAKT

NE: AFTER SALES SERVICE/INFORMATIE/VIDEO/CONTACT

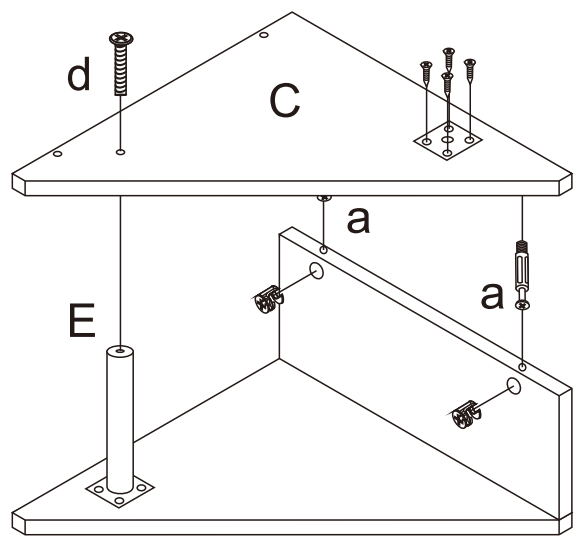
HE: סע רשקתל/ואדיווה/ עדימ/תוריקמו תוריש רחאל

SAV.HABITATETJARDIN.COM

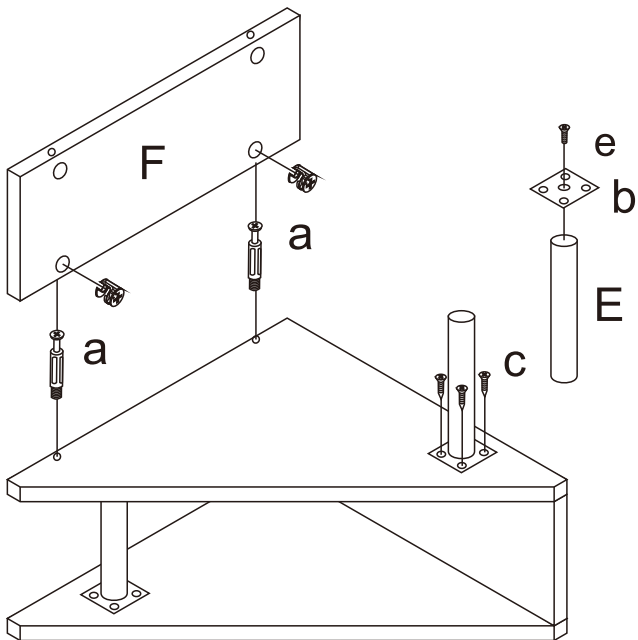
01



02



03



04

