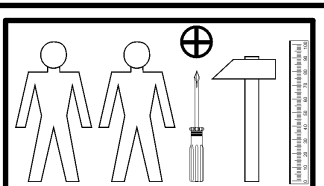
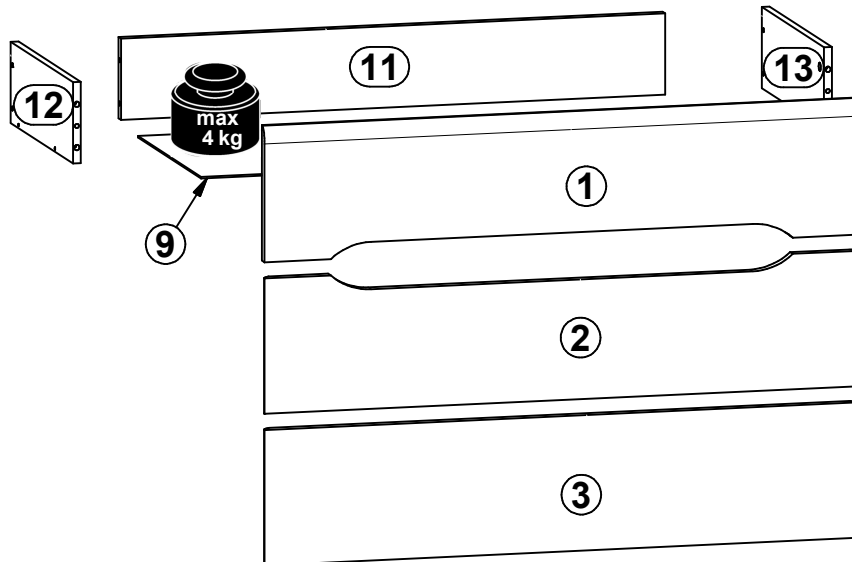
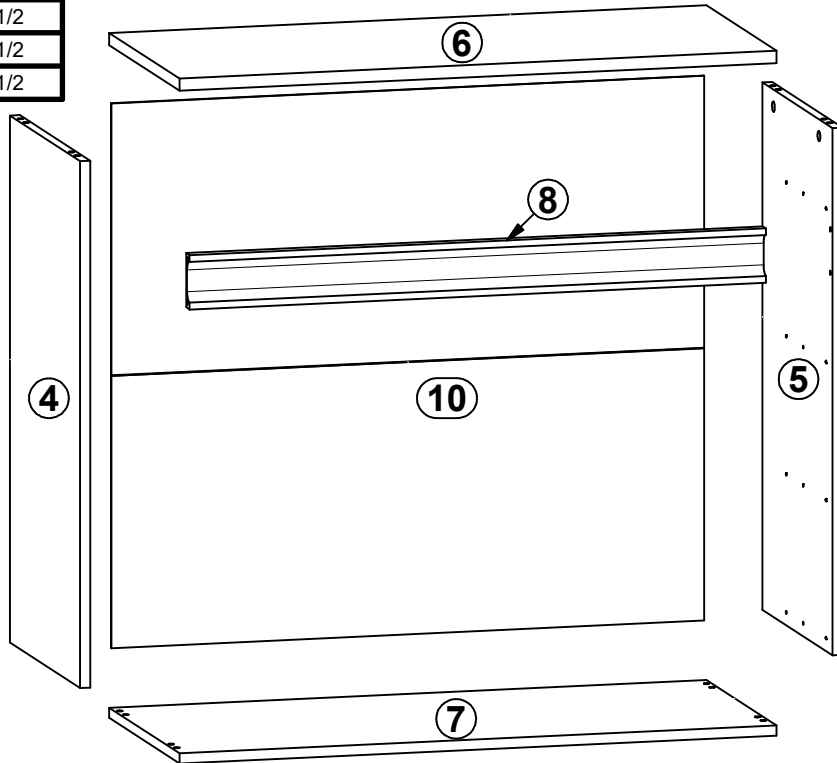
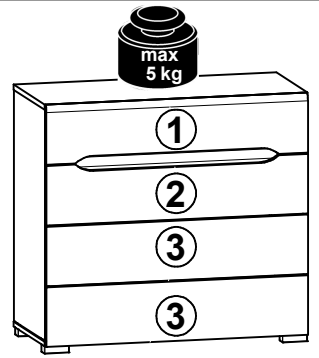
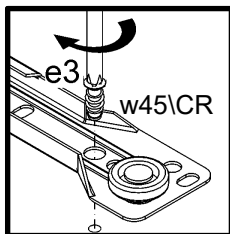
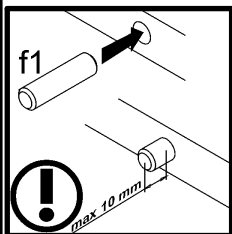
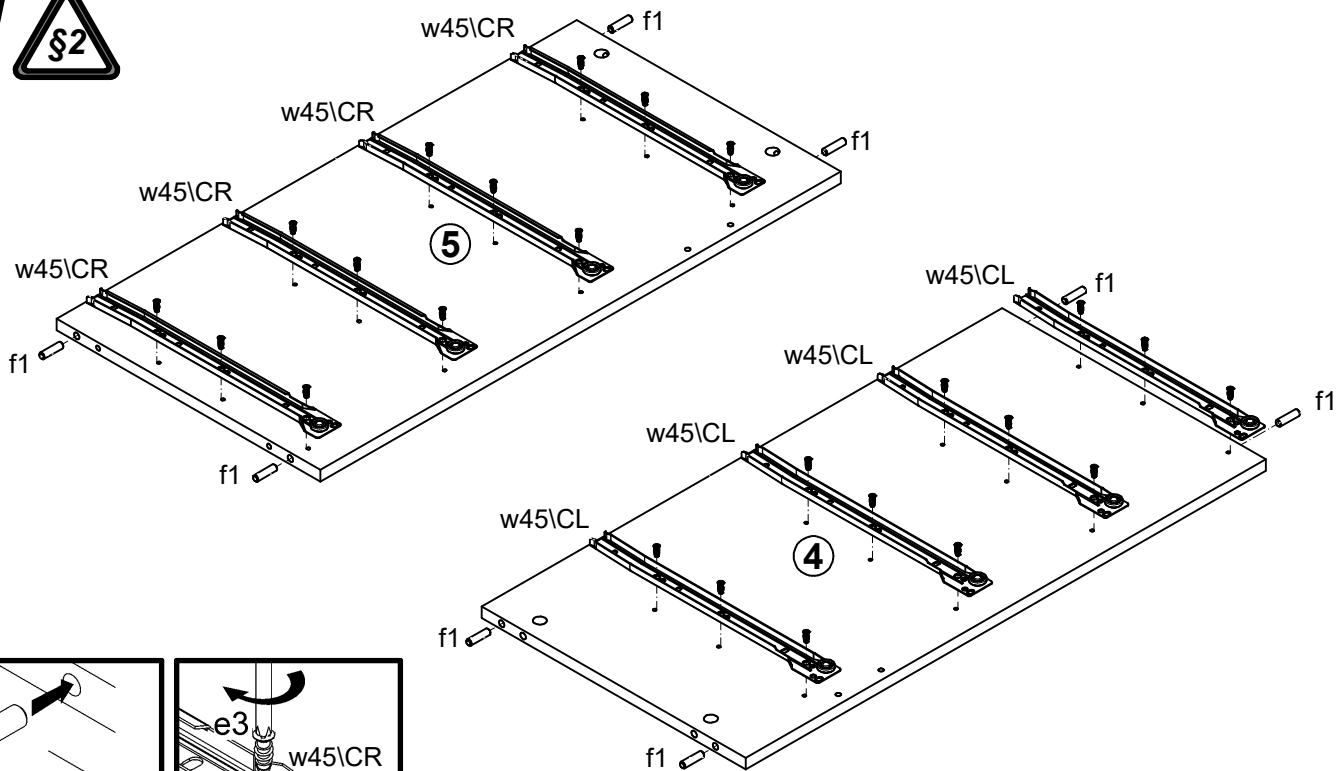


A	B	C	D	
1	S314-020	896	200	2/2
2	S314-021	896	200	2/2
3	S314-022	896	200	2/2
4	S314-116	779	395	1/2
5	S314-117	779	395	1/2
6	S314-209	900	395	1/2
7	S314-210	900	395	1/2
8	S314-575	869	80	1/2
9	S314-909	842	355	1/2
10	S314-910	893	805	1/2
11	ZS3-5569	820	120	1/2
12	ZS4-501	350	120	1/2
13	ZS4-502	350	120	1/2

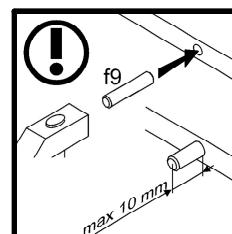
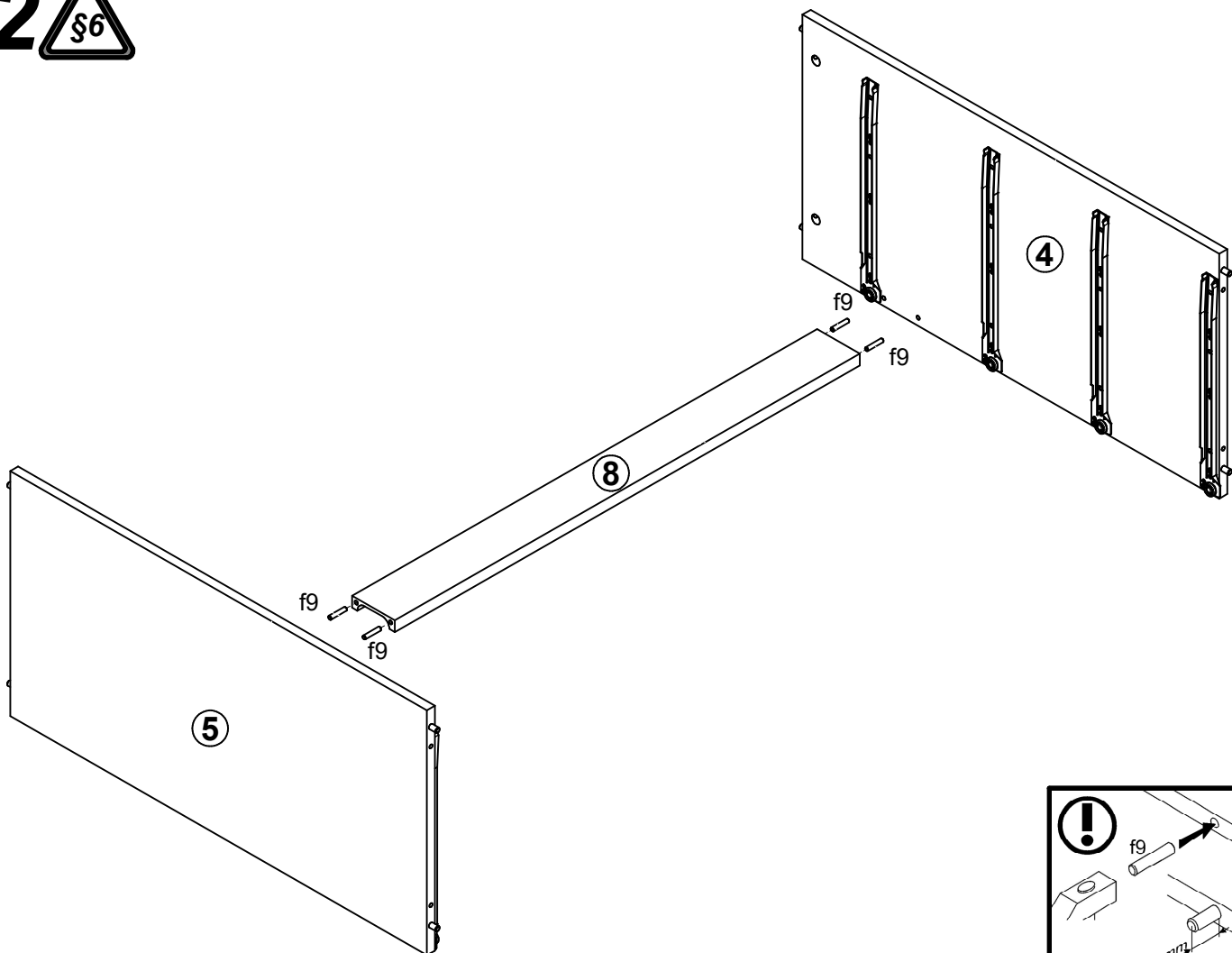


4x Ø7x50 mm e1	24x Ø6x13 mm e3	16x Ø5x9 mm e19	8x Ø8x30 mm f1	16x Ø6,5x40 mm f25	12x Ø6x30 mm f9	4x 84x40/25 mm k77	40x l1	4x Ø3,5x16 mm p25
4x Ø3,5x10 mm p35	8x Ø4x25 mm p36	24x Ø3,5x16 mm p38	4x Ø15x12 mm #16 r1	16x Ø12x10,5 mm #12 r15	20x r42	4x 350 mm t35	4x 350 mm w45\CL	4x 350 mm w45\CR
4x 350 mm w45\DL	4x 350 mm w45\DR	1x z1	1x n26\1	1x Ø3,5x16 mm p38				

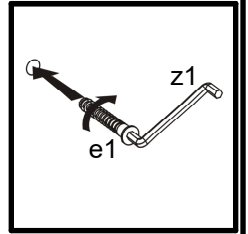
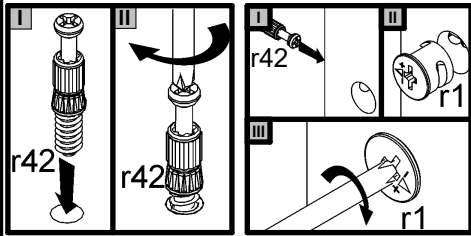
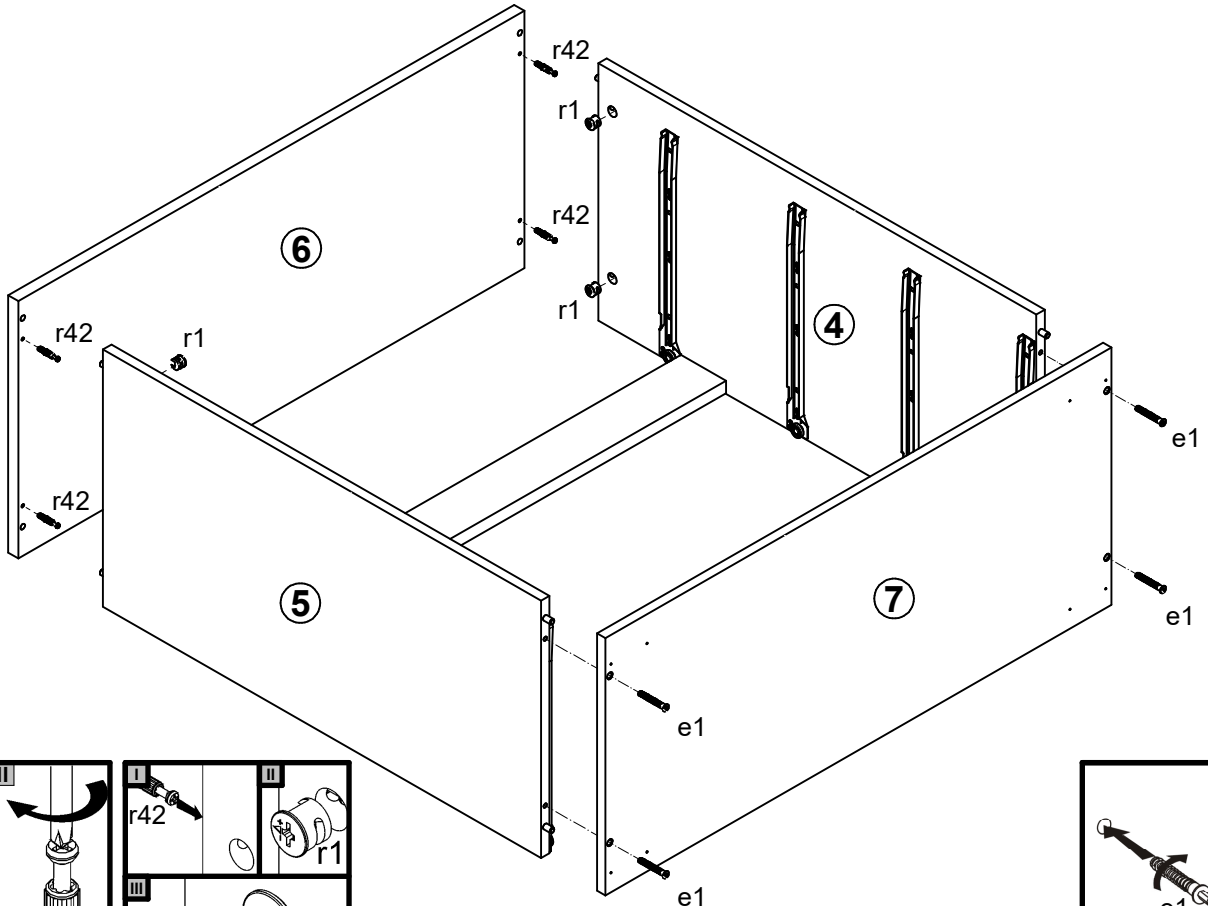
1  §2



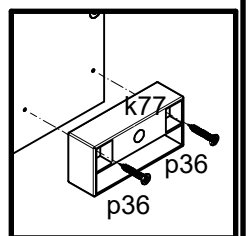
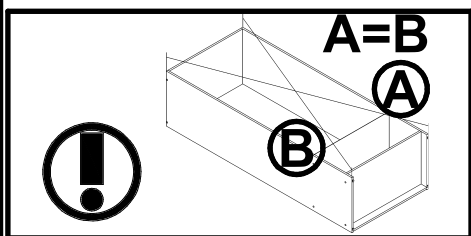
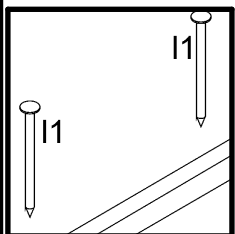
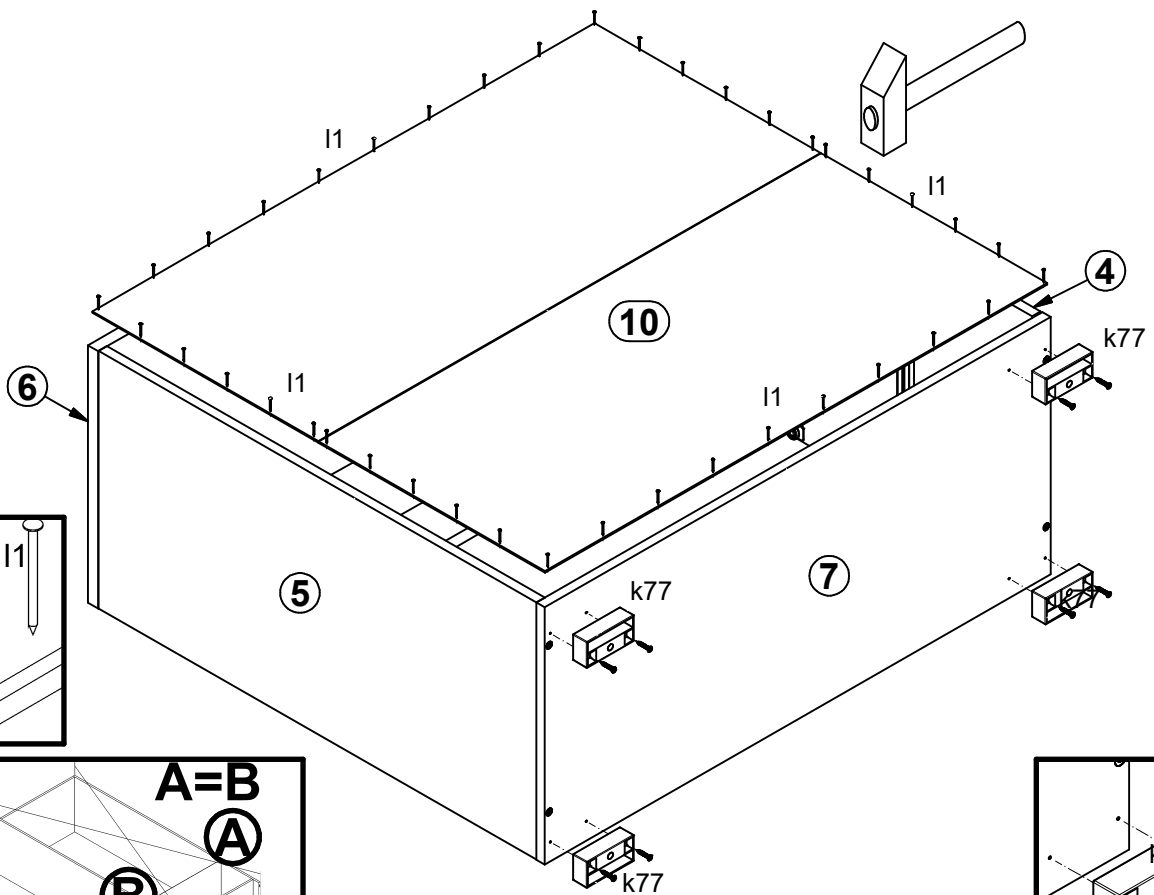
2  §6



# 3



# 4



# 5

I

