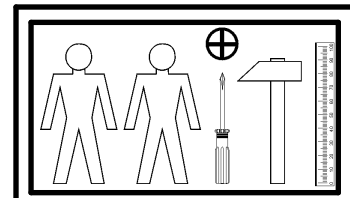
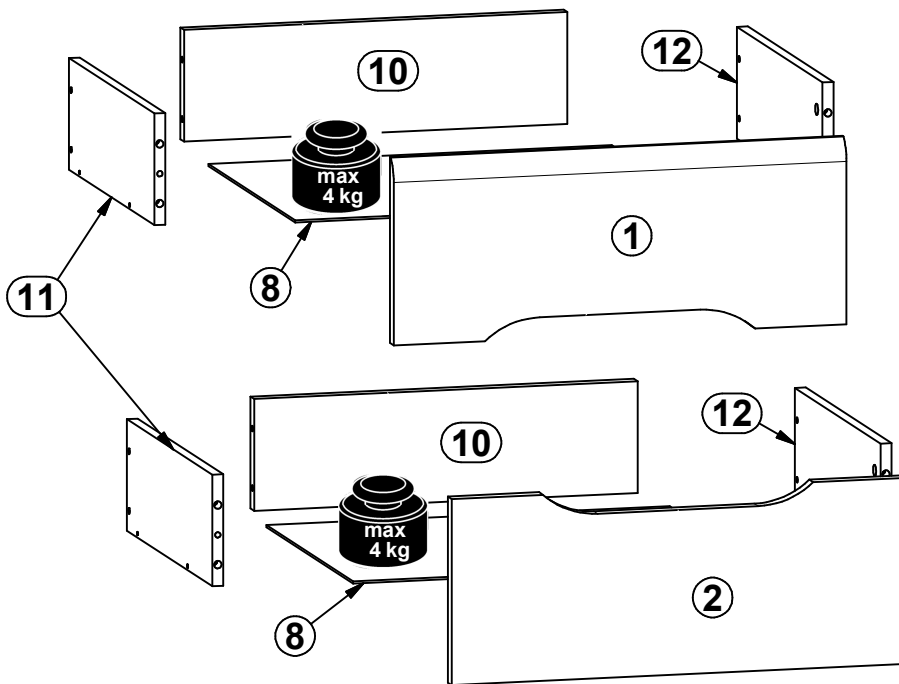
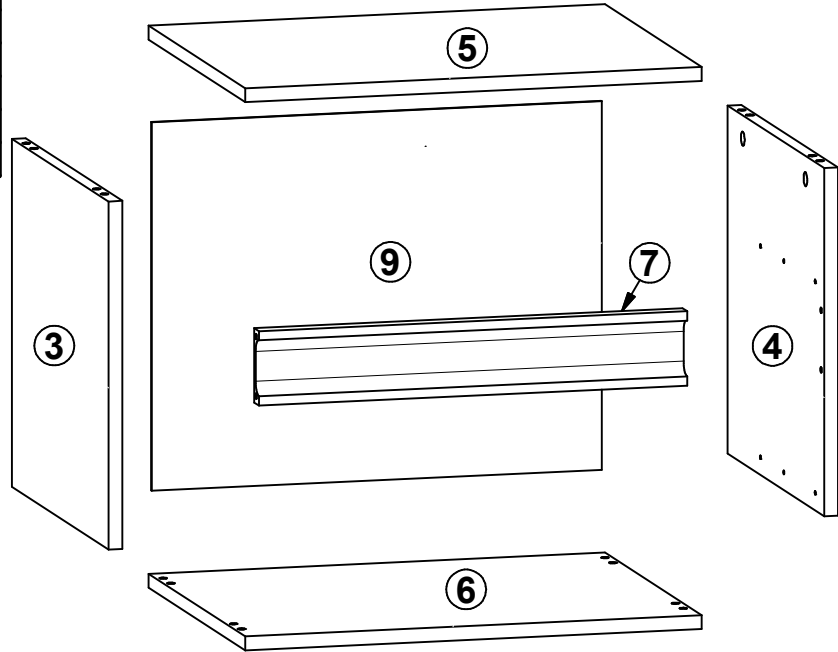
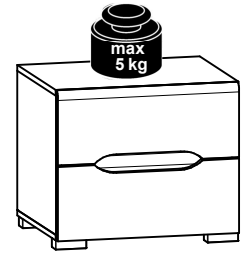
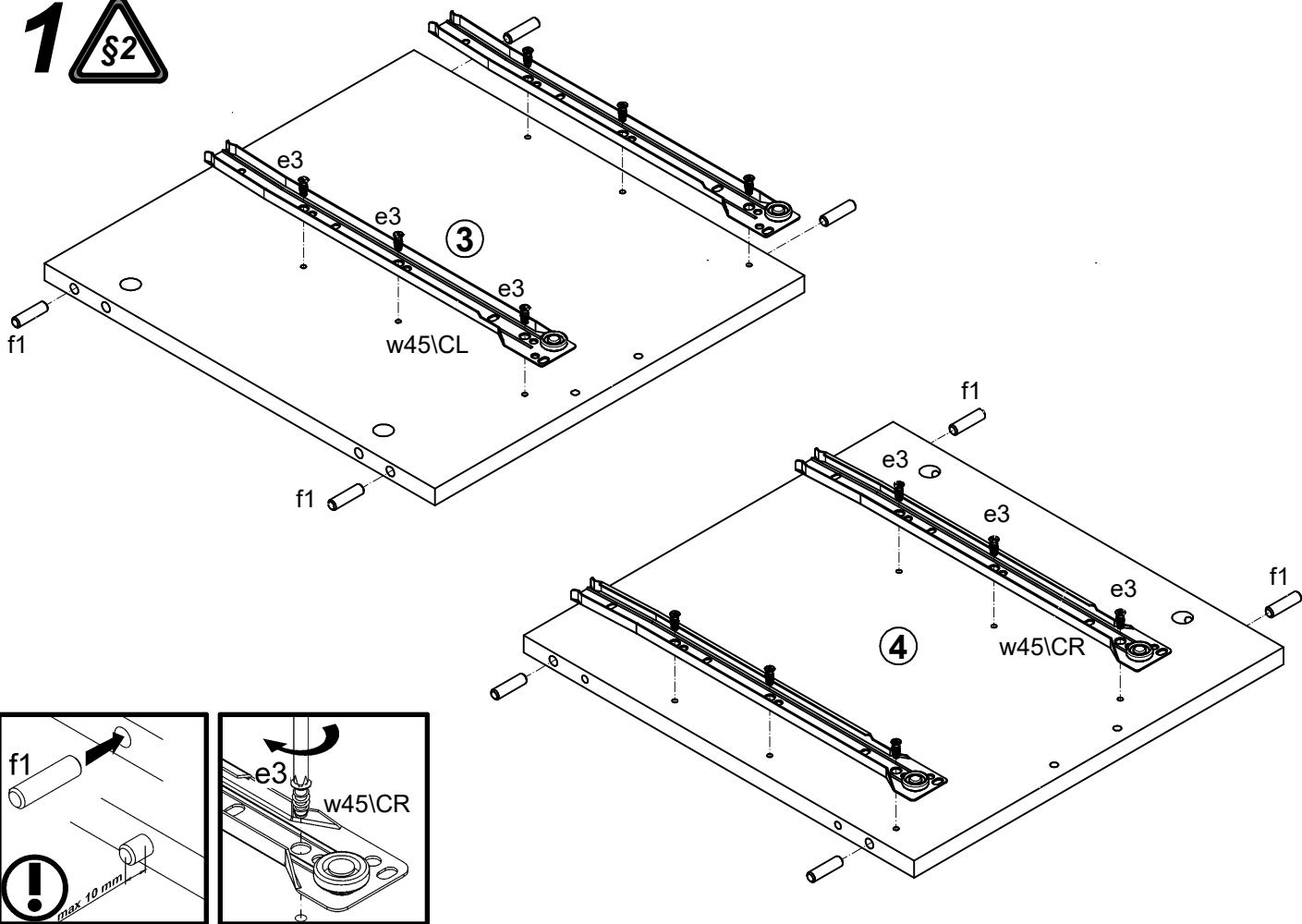


A	B	C	D
1	S314-037	496	200 2/2
2	S314-038	496	200 2/2
3	S314-129	374	395 1/2
4	S314-130	374	395 1/2
5	S314-216	500	395 1/2
6	S314-217	500	395 1/2
7	S314-576	469	80 1/2
8	S314-914	442	355 1/2
9	S314-915	493	396 1/2
10	ZS3-5535	420	120 1/2
11	ZS4-501	350	120 1/2
12	ZS4-502	350	120 1/2

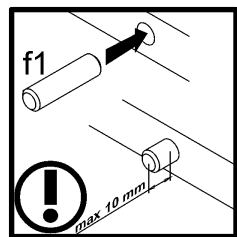
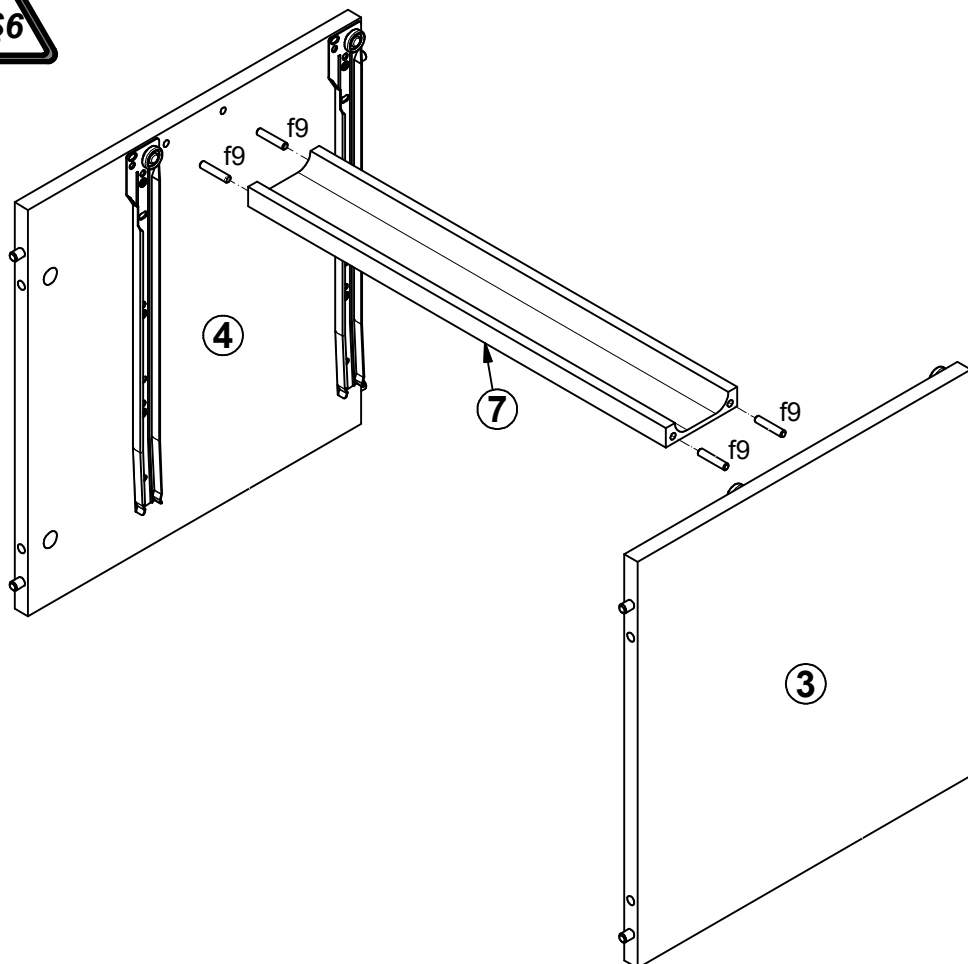


4x Ø7x50 mm e1	8x Ø5x9 mm e19	12x Ø6x13 mm e3	8x Ø8x30 mm f1	8x Ø6,5x40 mm f25	8x Ø6x30 mm f9	4x 84x40/25 mm k77	20x l1	8x Ø4x25 mm p36
4x Ø15x12 mm #16 r1	8x Ø12x10,5 mm #12 r15	12x r42	2x 350 mm w45\CL	2x 350 mm w45\CR	2x 350 mm w45\DL	2x 350 mm w45\DR	1x z1	8x Ø3,5x16 mm p38
2x Ø16 s2								

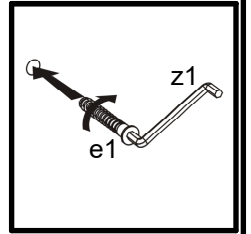
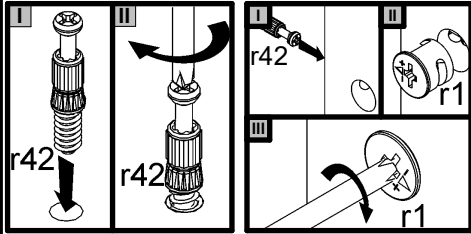
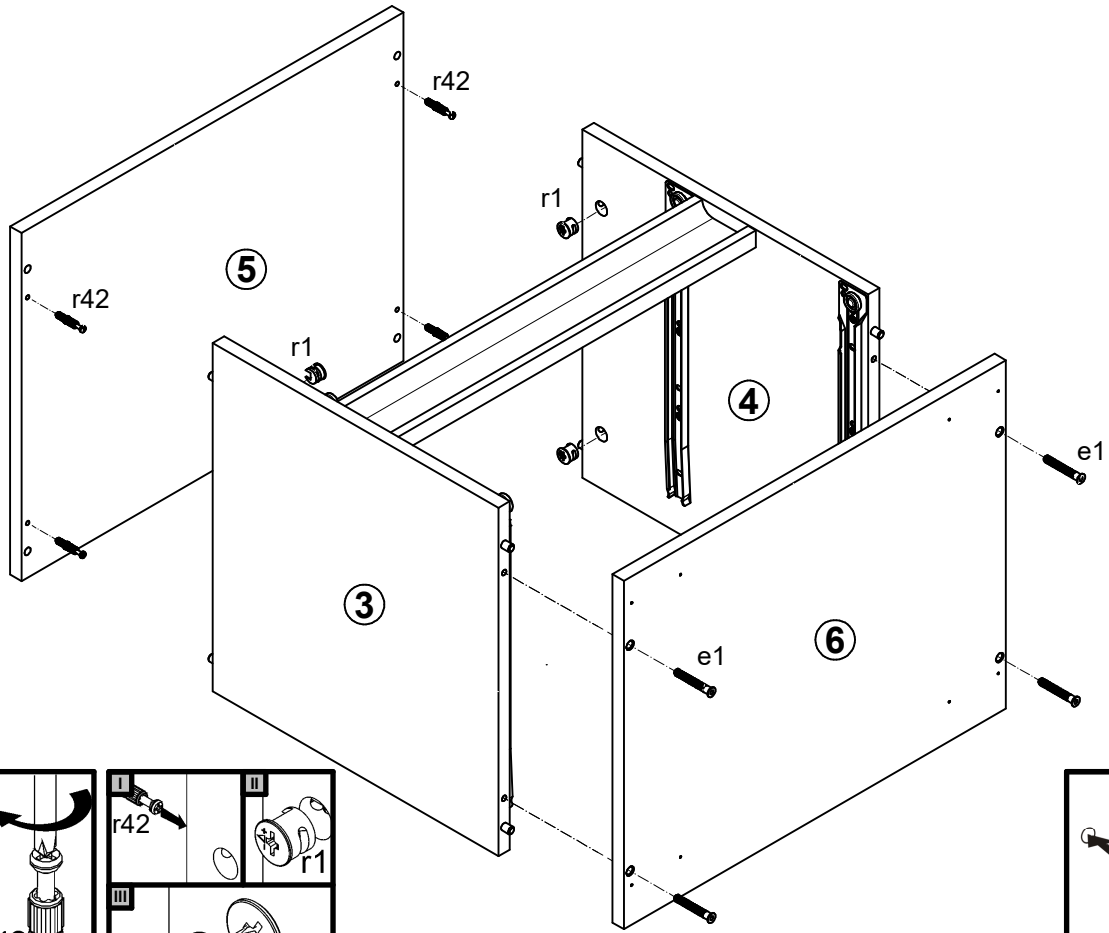
1 



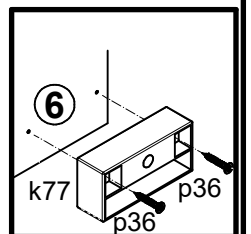
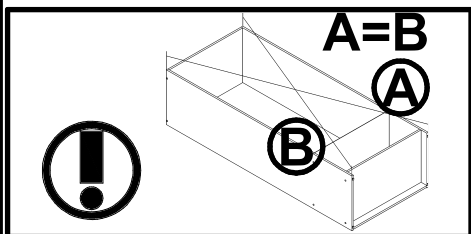
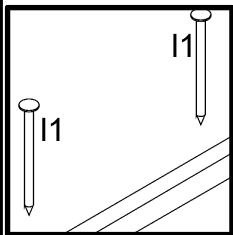
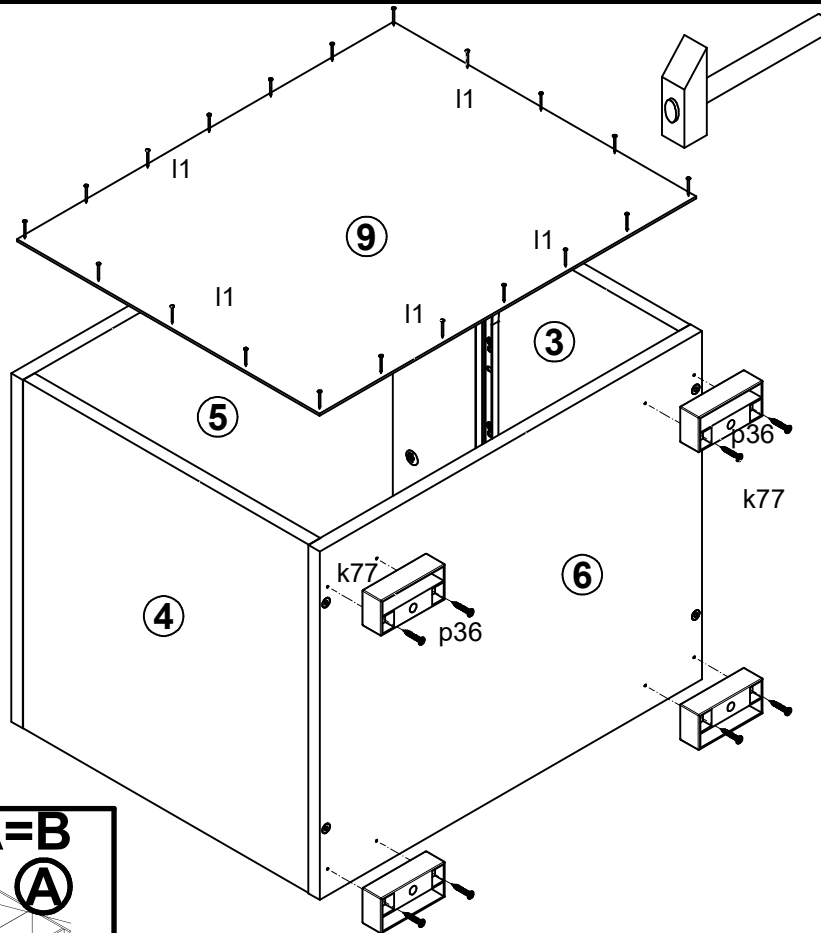
2 



# 3

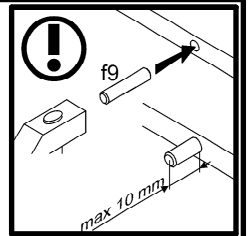
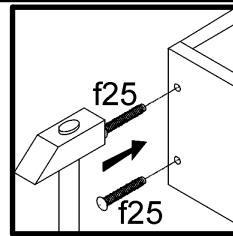
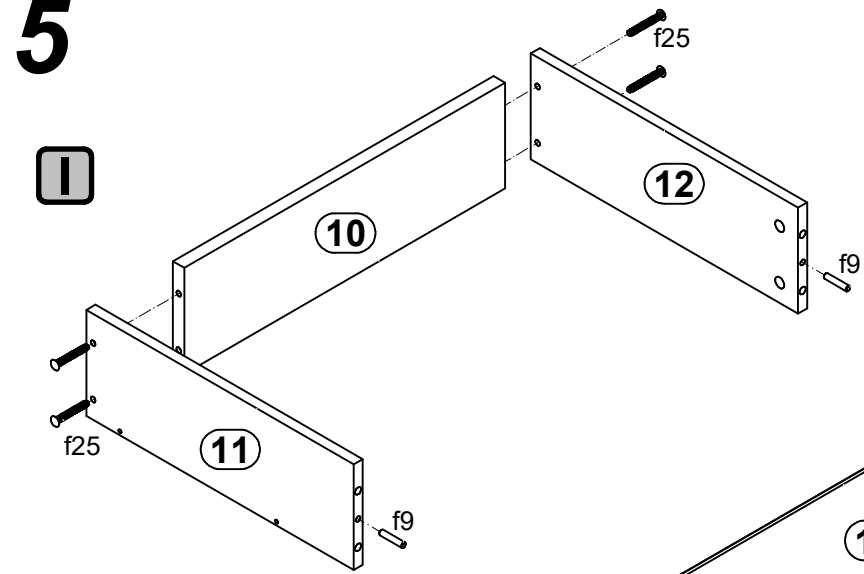


# 4

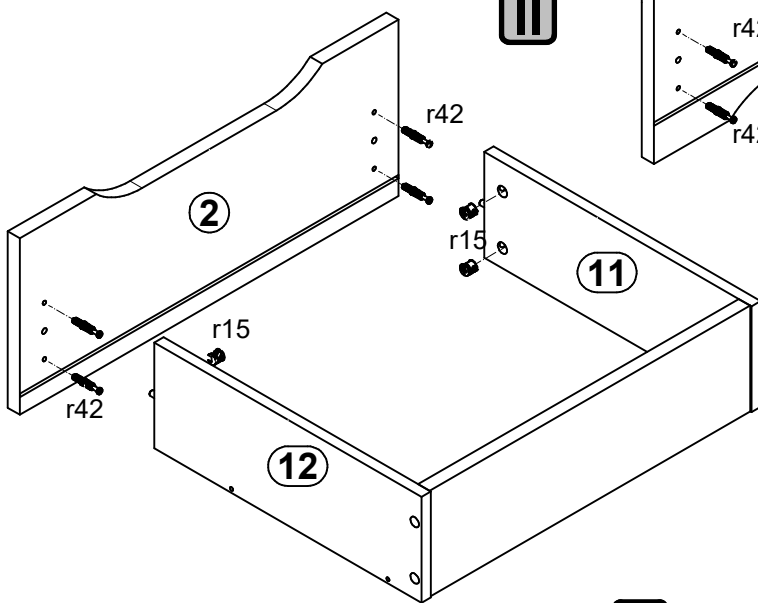


# 5

I



II



III

