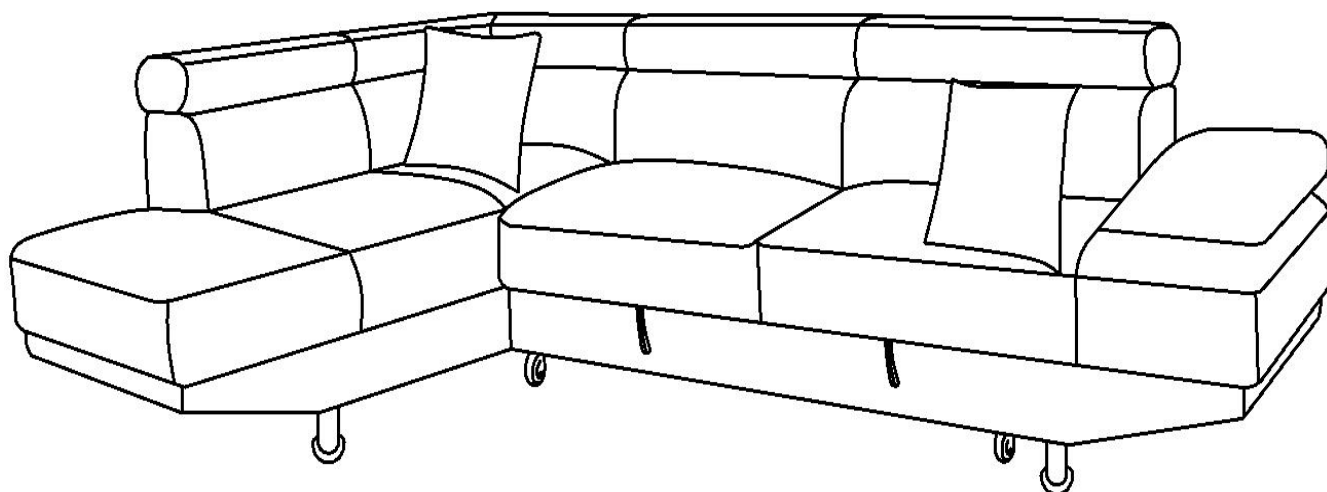


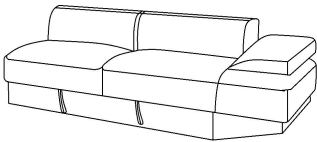
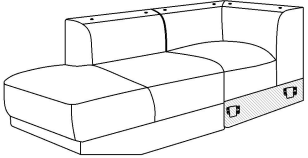
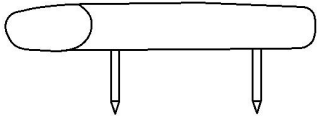
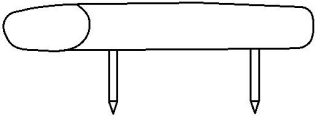

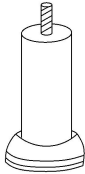
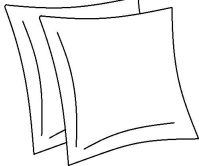

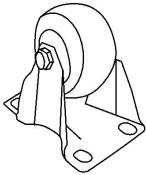
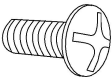
# Sophia luxe

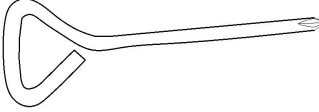
**1359-92487/92488**



**h & j** Habitat  
et Jardin

# 1359-92487/92488

A		185*82*58CM	*1	1/2
B		189*82*58CM	*1	2/2
C		69*24*14CM	*2	1/2
D		60*24*14CM	*2	1/2
E		83*24*14CM	*1	2/2
F		H:10CM	*7	2/2
G		40*40CM	*2	2/2
H		19CM	*2	2/2
I		H:8CM	*4	2/2
J		1.6CM	*16	2/2

K		10CM	*1	2/2
---	---	------	----	-----

FR : SAV/INFORMATION/VIDEO/CONTACT

EN: AFTER-SALES SERVICE/INFORMATION/VIDEO/CONTACT

DE : REPARATUR-SERVICE UND ERSATZTEILE /INFORMATIONEN /VIDEO/KONTAKT

ES: SERVICIO POST-VENTA/INFORMACIÓN/VIDEO/CONTACTO

IT: SERVIZIO ASSISTENZA/INFORMAZIONI/VIDEO/CONTATTO

PT: SERVIÇO PÓS-VENDA/INFORMAÇÕES/VIDEO/CONTATO

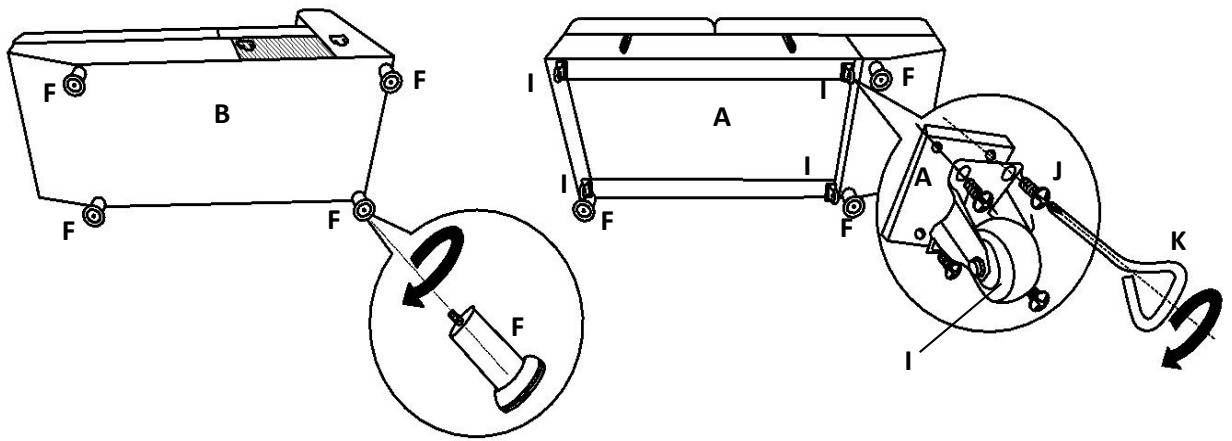
PL: SERWIS TECHNICZNY/INFORMACJE/WIDEO/KONTAKT

NE: AFTER SALES SERVICE/INFORMATIE/VIDEO/CONTACT

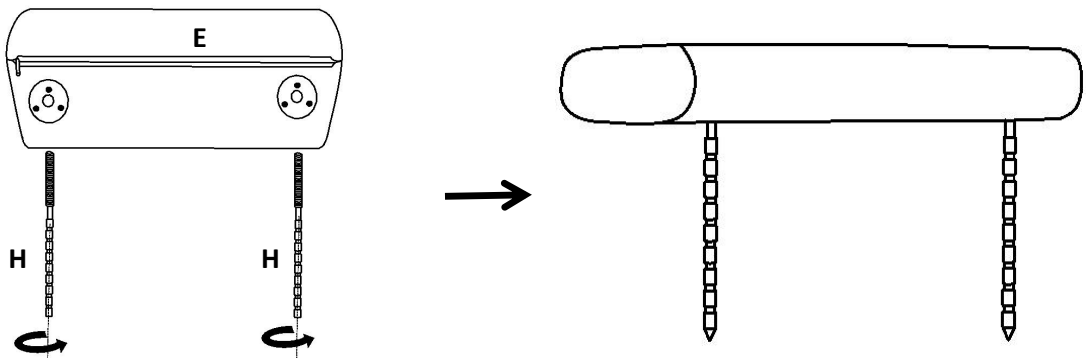
HE: עם רשקתל/ואדיווה/ עדימ/תורכמו תוריש רחאל

[SAV.HABITATETJARDIN.COM](http://SAV.HABITATETJARDIN.COM)

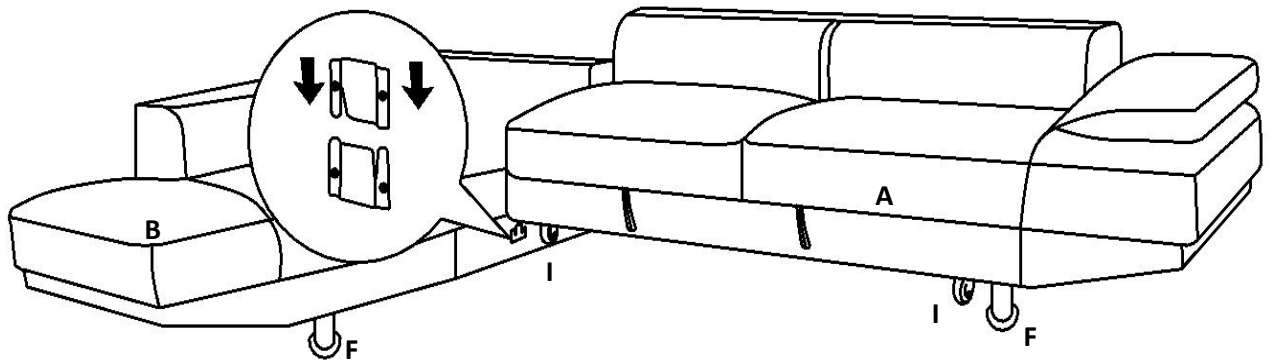
1



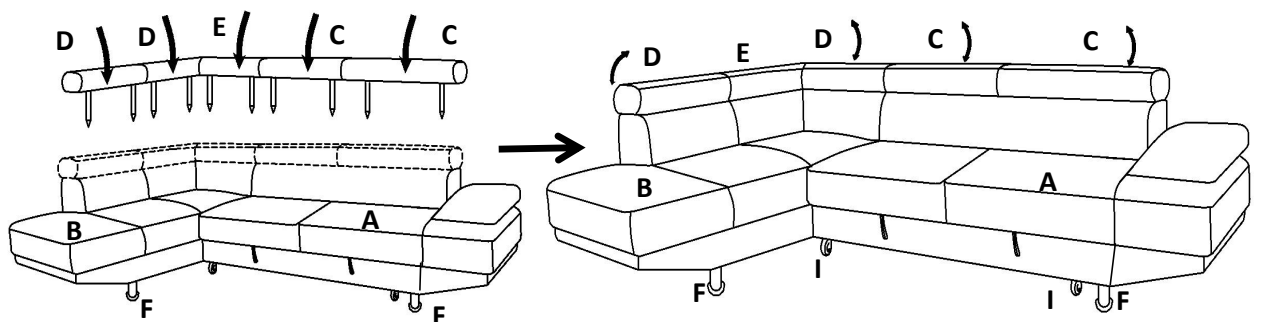
2



3



4



5

