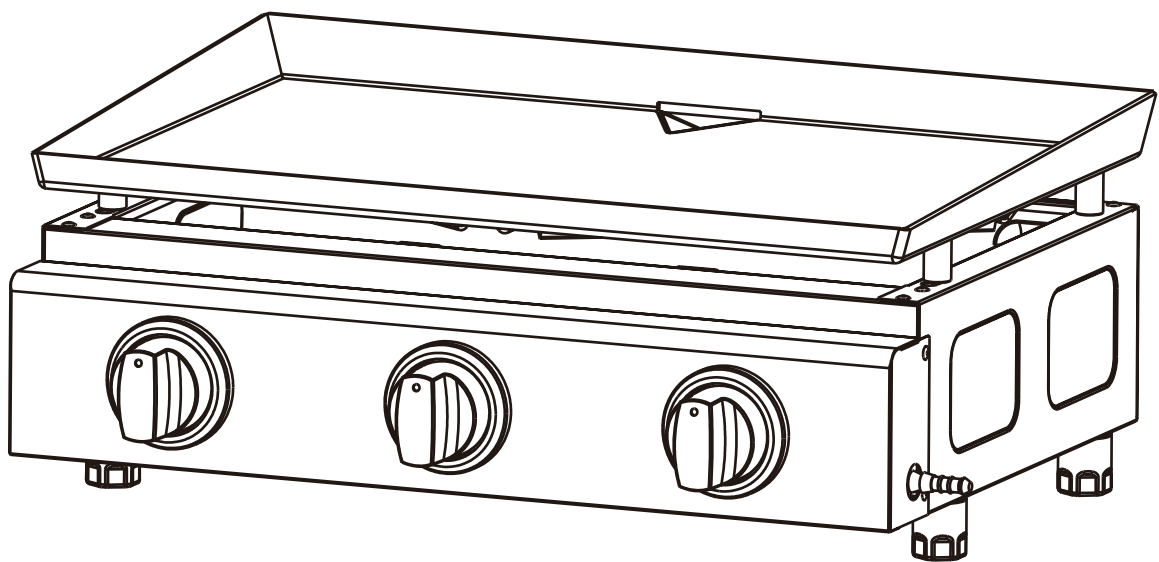

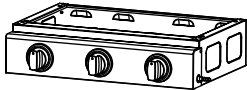

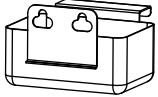


Presto 3

1351_100518

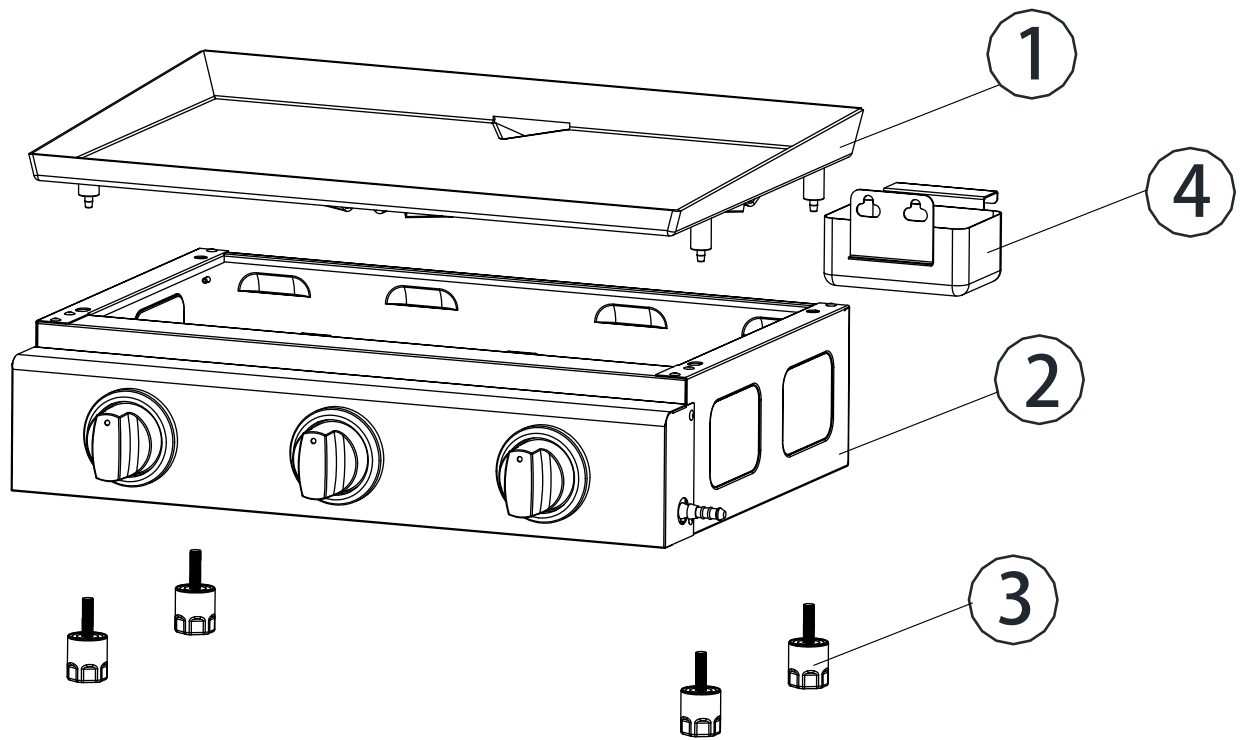



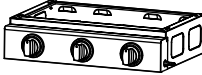

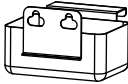
EN FR ES IT

1351_100518				
1		590*395*75mm	x1	1/1
2		590*446*128mm	x1	1/1
3		Φ31*63mm	x4	1/1
4		122*115*90mm	x1	1/1

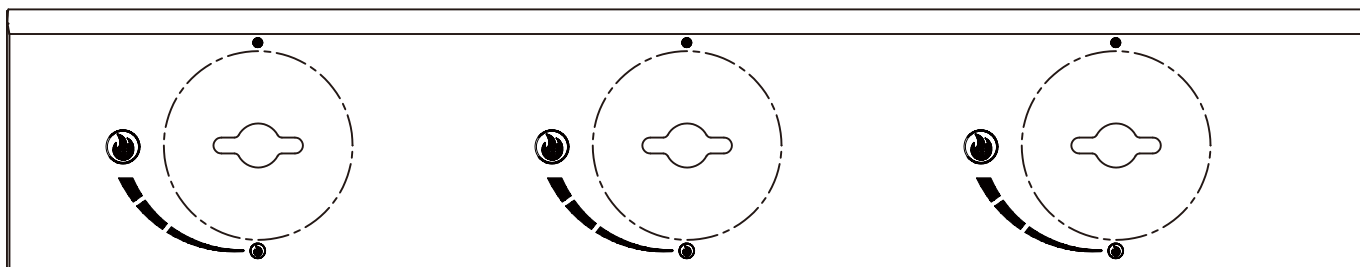
EN:AFTER-SALES SERVICES/INFORMATION/VIDEO/CONTACT
FR:SAV/INFORMATION/VIDEO/CONTACT
ES: SERVICIO POST-VENTA/INFORMACIÓN/VIDEO/CONTACTO
IT:SERVIZIO ASSISTENZA/INFORMAZIONI/VIDEO/CONTATTO
DE : REPARATUR-SERVICE UND ERSATZTEILE /INFORMATIONEN /VIDEO/KONTAKT
PT: SERVIÇO PÓS-VENDA/INFORMAÇÕES/VIDEO/CONTATO
PL: SERWIS TECHNICZNY/INFORMACJE/WIDEO/KONTAKT
NE: AFTER SALES SERVICE/INFORMATIE/VIDEO/CONTACT
HE: מע רשקתל/ואדיווה/ עדימ/תורכמו תוריש רחאל

SAV.HABITATETJARDIN.COM



<p>1</p>  <p>1PC</p>	<p>2</p>  <p>1PC</p>	<p>3</p>  <p>4PC</p>	<p>4</p>  <p>1PCS</p>
---	---	---	--

Control Panel



GRILL LIGHTING INSTRUCTIONS:

1. Read and follow the operator's instructions in owner's manual before lighting.
2. Make sure all control knobs are in the "●" position, Open Gas bottle valve according to Instructions.
3. Select the burner to be lit. Push and turn the control knob anti-clockwise to HIGH.
4. Repeat step 3 for lighting each burner.
5. If ignition does not occur in 5 seconds, turn the burner(s) OFF, wait 5 minutes, and repeat the lighting procedure.
6. Refer to the owner's manual for match lighting procedure.
7. To turn OFF, push and turn each control knob clockwise until it locks in the "●" position.

INSTRUCTIONS D'ALLUMAGE DU GRILL

1. Lire et suivre les instructions qui se trouvent dans la notice de montage avant d'allumer l'appareil.
2. S'assurer que tous les boutons de contrôle soient placés sur "●", ouvrir la vanne de la bouteille de gaz comme indiqué dans les instructions.
3. Choisir le brûleur à allumer. Maintenir et tourner le bouton dans le sens inverse des aiguille de contrôle du brûleur jusqu'à la position "HIGH".
4. Répétez l'étape 3 pour allumer chaque brûleur.
5. Si le brûleur ne s'allume pas dans les 5 secondes, éteindre le brûleur et attendre 5 minutes, ensuite répétez la procédure d'allumage.
6. Se référer à la notice de montage pour la procédure d'allumage avec les allumettes.
7. Pour éteindre, appuyez puis il faut tourner le bouton de contrôle de chaque brûleur dans le sens des aiguilles d'une montre jusqu'à ce qu'il s'enclenche sur la position "●".

INSTRUCCIONES DE ENCENDIDO DE LA PLANCHA

1. Lea y siga el manual de usuario antes de encender.
2. Asegúrese que todas las perillas de encendido están en posición "●". Abra la válvula del tanque de gas siguiendo las instrucciones del fabricante.
3. Seleccione el quemador a encender. Presione y gire la perilla a la izquierda de encendido de este quemador hasta la posición HIGH.
4. Repita el paso 3 para encender cada quemador.
5. Si el quemador no se enciende en un lapso de 5 segundos regresa la perilla a la posición OFF. Espere 5 minutos para que el gas se disipe y repita el proceso de encendido.
6. Consulte el manual de usuario para las instrucciones de encendido.
7. Para apagar, Presione y gire cada perilla siguiendo las manillas de un reloj hasta el tope en posición "●".

ISTRUZIONI PER L'ACCESIONE DEL GRILL :

1. Leggere e seguire le istruzioni del manuale prima di accendere l'apparecchio.
2. Assicurarsi che le manopole di controllo siano sull' "●", aprire la valvola della bottiglia di gas seguendo le istruzioni.
3. Scegliere il fornello che vuole accendere. Premere e girare la manopola del fornello sulla posizione "HIGH".
4. Ripetere il passo 3 per accendere ogni fornello.
5. Se non si accende nei 5 secondi, spegnere il fornello, aspettare 5 minuti e ripetere le istruzioni d'accensione.
6. Riferirsi al manuale per le istruzioni di accensione con fiammifero.
7. Per spegnere, Premere e girare ogni manopola di controllo nel senso orario finché si fermino sull' "●".

FOR OUTDOORS USE ONLY

NOTE: Turn off LP supply at the cylinder when appliance is not in use.

Warning: Accessible parts may be very hot, keep away from young children.

A UTILISER A L'EXTERIEUR UNIQUEMENT

REMARQUE : Fermer l'arrivée de gaz au niveau de la bouteille de GPL quand l'appareil n'est pas utilisé.

Attention : Les composants accessibles peuvent être brûlants, maintenir hors de la portée des enfants.

PARA USO EXCLUSIVAMENTE EXTERIOR

NOTA: Cierre el tanque de gas cuando el producto no esté en uso. Peligro: Algunas piezas pueden estar muy calientes, mantenga a los niños alejados.

PER UN USO ESCLUSIVAMENTE ESTERNO

NOTA: Spegner l'arrivo di gas della bottiglia di GPL quando l'apparecchio non è utilizzato.

Attenzione: I componenti possono essere molto caldi, mantenere lontano dai bambini.

Match-Lighting

If the burner still fails to light after several attempts, try the manual ignition procedure below.

- 1, Ensure all the burners control knobs are in the "●" position.
- 2, Slowly turn on the gas at the LP gas cylinder valve or regulator if it is not already on.
- 3, Place a match in the Match Holder
- 4, Use the holder to slide the lit match through the cooking grates or cooking griddle and the front of the heat tent to the left of the burner you wish to light.
- 5, Press and turn the burner control knob anti-clockwise to 1/2 position.
- 6, If the burner does not light within 5 seconds, turn the burner control knob to "●", wait 5 minutes for gas to clear, and try again.
- 7, When lit, turn the control knob to the desired heat setting.

Encendido con fósforo

Si el quemador no se enciende después de un tiempo, probar el encendido manual mediante el siguiente procedimiento:

1. Asegurarse de que todas las perillas de los quemadores estén en la posición "●".
2. Girar suavemente la botella de gas o regulador si no lo está ya.
3. Pon un fósforo sobre el porta fósforo.
4. Deslizar un fósforo encendido a través de las parrillas de cocción.
5. Pulse el mando y gire el quemador en la posición media.
6. Si el quemador no se enciende en 5 segundos, gire la perilla de control del quemador a la "●", esperar 5 minutos para permitir que el gas se vaya y vuelva a intentarlo.
7. Cuando se enciende, gire la perilla de control de la llama a la potencia que desea.

Allumage avec une allumette

Si le brûleur ne s'allume toujours pas après un certain temps, essayez l'allumage manuel en suivant la procédure ci-dessous :

1. Assurez-vous que toutes les manettes des brûleurs sont à la position « ● ».
2. Allumez doucement le gaz sur la bouteille ou sur le détendeur si ce n'est pas déjà fait.
3. Placez une allumette sur le porteur d'allumette (tenant).
4. Utilisez le tenant pour coulisser l'allumette allumée à travers les grilles de cuisson et l'avant de la chaleur sera sur la gauche du brûleur que vous souhaitez.
5. Appuyez et tournez la manette du brûleur sur la position 1/2.
6. Si le brûleur ne s'allume pas seules les 5 secondes, tournez la manette de contrôle du brûleur au « ● », attendez 5 minutes pour laissez-le gaz disparaître puis réessayez.
7. Quand il s'allume, tournez la manette de contrôle pour que la flamme soit de la puissance que vous souhaitez.

Accensione con un fiammifero

Se il fornello non si accende dopo un po', provare l'accensione manuale seguendo la procedura di seguito :

1. Assicurarsi che tutte le manopole dei fornelli sono in posizione « ● ».
2. Aprire delicatamente la bombola del gas o il regolatore, se non è già stato fatto.
3. Mettere un fiammifero sull'apposito supporto.
4. Utilizzare il supporto per far schivolare la parte accesa del fiammifero attraverso le griglie di cottura e prima che il calore sarà sul lato sinistro del bruciatore che si desidera accendere.
5. Premere e ruotare la manopola in posizione 1/2.
6. Se il bruciatore non si accende entro 5 secondi, ruotare la manopola di controllo del fornello alla "●", attendere 5 minuti per consentire al gas di andare via e provare di nuovo.
7. Quando si accende, ruotare la manopola di controllo per regolare la fiamma alla potenza desiderata.

EN

READ THIS THOROUGHLY FOR YOUR OWN SAFETY

General information

PLACEMENT

- This product is meant for outdoor use only! Do not store petrol or any inflammable liquids near this product.
- Place the gas tank out of the barbeque cabinet.
- The gas cylinder used must conform to relevant standard for the country of use;
- The gas regulator used must be certified to EN 16129:2013;
- The hose should be approved according to EN16436-1:2014;
- It is necessary to change the flexible tube when the national conditions require it, worn or damaged flexible tube must be replaced;
- Ensure that the flexible tube is not obstructed, kinked, or in contact with any part of the barbecue other than at its connection;
- The BBQ should be placed on the non-combustible desktop, to prevent fire caused by the bottom of BBQ overheating.
- The supporting surface of the BBQ needs to be fire proof and non-combustible material.

SAFETY WHEN LEAKAGE OF GAS IS SUSPECTED

Turn off the BBQ's gas supply and disconnect the regulator from the tank.

Wipe out any open flames and remove possible ignition sources. Open the lid, if the smell of gas is sustained, contact your gas supplier or the fire department immediately.

If the gas tank appears to be the source of smell/leakage, place this outdoors with good ventilation and away from possible ignition sources.

NOTE:

Wrongful installation, adjustments and changes, or lack of service and maintenance could cause damage to individuals or materials. It is therefore important to carefully read the instructions on how to install, use and maintain the product before assembling the item. The BBQ must be installed according to national/local regulations. Make sure that the gas hose is not clenched, and never in contact with hot surfaces, and that the BBQ is installed in exact accordance with these instructions. For service, please contact authorized personnel. Always ensure that the BBQ is placed away from inflammable material when being used. All gas hoses and attachments must be checked for possible leakage each time the gas tank is replaced. When lighted, the BBQ must be kept under surveillance at all times. Keep children at a safe distance from the grill; touching hot surfaces could cause burns. The BBQ must be kept clean to avoid flare-ups caused by remnants of fat. Fires resulting from ignition of grease will terminate the warranty. Ensure that the gas tank is suitable for your product: This instruction manual refers to gas tanks and regulators, and this BBQ utilizes propane or butane gas. Within the Nordic countries we recommend propane gas, as this can be used at low temperatures. Note that gases and gas pressures may vary between countries. If in doubt, please contact your supplier.

INSTALLMENT

The BBQ must be installed according to these instructions and is only to be used outdoors. It is not to be used in garages, tents etc. and must be placed a minimum of 1000 mm away from any inflammable surfaces. The BBQ cannot be installed in any vehicle or boat. It is important to keep the area surrounding the BBQ and the gas tank clean and see to that it is placed where the ventilation is sufficient. The barbeque is never to be placed in proximity to inflammable material, petrol or other ignitable gases or liquids.

ASSEMBLY AND CONNECTION

Assemble the product according to these instructions.

Note the labeling of appropriate gases listed on your BBQ and ascertain that the gas you have is suitable for your BBQ. Butane or propane is used throughout Europe. Be aware that several different valves for gas tanks exist, and that the regulator must connect appropriately to your LPG tank. Never try forcing the tank valve to fit the “click on” regulator. Seek assistance from the supplier if problems should arise. **Never make adjustments to low-pressure regulator and hose couplers. The gas hose must be inspected for signs of damage/leakage prior to being used. If any of these parts are being replaced, use only parts specified by the manufacturer.** The regulator and gas hose should be secured by using hose clamps, which are tightened with the use of a screw driver. Do not secure any attachments with tape, or similar materials don't mean for LPG.

When the gas tank is not in use, it must be closed, and disconnecting the regulator is advisable. Gas tanks not in use are to be stored outdoors in a well ventilated place, out of reach from children. Make sure that the tank is placed in an upright position and on an evenly surfaced ground. **Additional gas tanks are not to be stored underneath or in proximity to the BBQ.**

Check for possible leakage.

Please check for leakage the first time you are connecting the BBQ to the gas tank, and also each time you are replacing the gas tank. To check for leakage, open the gas supply from the gas tank, but do not switch on the burners inside the BBQ. The gas hose(s) will fill with gas. Then pour water with soap over all connections. A spray, replacing the water and soap, can be obtained from the supplier. Any leakage will result in bubbles within approx. 20 seconds. If a leakage is detected, tighten the connection. If the leakage does not terminate, contact your supplier. Never use an open flame to search for leaks!

Preparing the grill plate and the griddle. (Only applies to BBQs where this is made of cast iron).

This applies only to BBQs with cast iron. Other surfaces should be cleaned prior to usage. Use a detergent to remove possible remnants of grease and/or oil from manufacturing. Wipe dry, then treat both sides of the plate with cooking oil. Re-install the plates, turn on the burners and leave them burning in a low position for 15-20 minutes, or until it stops oozing. Burning at maximum heat for approx. 10 minutes is recommended after each use, to clean the cast iron griddles. Remnants of food and sot are then removed using a steel brush, which can be obtained from your supplier.

NOTE: The griddles should also be saturated with oil after usage and if the BBQ is not to be used for a longer period of time. Failure to do this will result in a layer of rust on the surface.

Porcelain and Teflon

These grill plates should be washed with diluted soap water prior to usage; steel brushes or other should never be used for cleaning. The grill plates will last longer if they are kept cleaned, and remnants of food are “burned off” after each use.

Maintenance

Your BBQ should be kept clean not to deteriorate. The surface will need similar treatment to that of a car, and the BBQ should be protected by a fitted cover when stalled. Clean the BBQ thoroughly on a regular basis, and cover it with a thin layer of neutral oil (acid free oil). Oils used for sowing machines or weapons are suitable. Movable parts such as the hinges, wheel nuts and doors should be sprayed with a lubricant.

The burners also need maintenance. Keep these clean by brushing them, and assure that the holes are kept open and free of dirt. If your BBQ has cast iron burners, these should be covered with cooking oil a few times per season and always at the end of each season – before stalling the BBQ for a longer period of time!

This paragraph applies to BBQs with a surface of stainless steel

Small amounts of surface corrosion can occur. This is not a defect and will not damage the product. Stainless steel is simply the name of a certain quality of steel, and it is a common misunderstanding that stainless steel could never contract rust. We will here attempt to explain the reason some customers will experience oxidation of the BBQs surface.

Stainless steel has a higher resistance to rusting than other kinds of steel, because it is covered by a layer of chrome (Cr_2O_3) protecting the steel from oxidation. This layer will to some extent regenerate where the steel is damaged, contributing to the longevity of this material. To keep the surface of stainless steel shiny, maintenance by thorough cleaning and saturation with neutral oil is important.

The addition of chrome to the steel provides stainless steel with the resistance to corrosion. When the content of chrome exceeds 17%, a thin layer outer layer is formed, passively protecting the steel from oxidation. This outer layer of chrome oxide is only a few nanometers thick, hence not visible to the naked eye. If the steel is damaged, it will quickly reform, provided there is access to oxygen. The chemical resistance of stainless steel increases with increasing amounts of chrome, but also with less coal.

USING THE BARBEQUE**Ignition**

Make sure that the gas supply is turned on. Do not lean over the BBQ when igniting the burners. NOTE: The lid must always be kept open while igniting.

Be aware that the surface of the lid will be hot when using the BBQ, during which time only the handle on the lid should be touched. The BBQ has an electronic igniter which emits sparks when the button is pushed and/or turned (varies between models). Push down and turn the button for the burner counterclockwise to the "MAX" position. Then keep the igniter button pushed down until the burner ignites. For BBQs with a built-in igniter, turn the switch half way and keep pushing the switch down until you can hear the gas streaming out, and then keep turning the switch until a click is heard. The burner will often not ignite instantly/at first attempt, because the mixture of gas and oxygen is not optimal at that time. Repeat by turning the switch multiple times passed the ignition "click" until the burner ignites. This is a safe and reliable way of igniting the BBQ. Once the burner is burning, you can turn on the remaining burners simply by opening the gas flow to "MAX".

If the burner does not ignite at first attempt, push and turn the button back to the "off" position and repeat the procedure. If the burner still does not ignite, wait a few minutes to give the gas time to diffuse away from the BBQ before attempting again.

Manual ignition: If the described procedures do not work, the burner can be ignited manually, by utilizing a (long) match.

Turning off the barbeque


When finished cooking, leave the burners at "MAX" position up to 15 minutes so that remaining grease from the food will be removed. When turning off the BBQ, close the supply from the gas tank first; this will allow the gas remaining in the hose to evaporate. This will only require a few seconds. The burners can then be switched off.

Cooking

Saturate the surface of the griddle with cooking oil. This will keep the food from sticking to the surface of the grill. Turn on the burners and leave them burning at a low temperature ("MIN").

Tip: While cooking

Flames caused by fat dripping from the food could damage the result, making the food burn easily. Therefore, you should cut away excess fat from the meat if this becomes a problem. Removing the meat from the flames is also advisable.

DEALER		GECODIS S.A. 32 RUE DE PARADIS 75010 PARIS, FRANCE		 0063-19 1984CU9001	
Product Name			GAS PLANCHA PRESTO 3		
Model No.			1351_100518 / SRGG31706		
Category	I3+(28-30/37)	I3B/P(30)	I3B/P(37)	I3B/P(50)	
Country	BE, CH, CY, CZ, ES, FR, GB, GR, IE, IT, LT, LU, LV, PT, SK, SI	BG, CY, DK, EE, FI, FR, HR, HU, IS, IT, LT, LU, MT, NL, NO, RO, SE, SI, SK, TR	PL	AT, CH, DE, SK	
Gas&Pressure	G30 Butane at 28-30mbar and G31 Propane at 37mbar	G30 Butane and G31 Propane at 30mbar	G30 Butane and G31 Propane at 37mbar	G30 Butane and G31 Propane at 50mbar	
Injector size	0.79 mm	0.79 mm	0.74 mm	0.66 mm	
Total Heat input input			$\Sigma Q_n=7.2$ kW (524g/h)		
<p>CAUTION: USE OUTDOORS ONLY. If stored indoors, detach and leave cylinder outdoors. Read the instructions before using the appliance. Minimum clearance from side and back of unit to combustible construction:100cm.</p> <p>WARNING: Accessible parts maybe very hot. Keep young children away.</p>					
MADE IN PRC					

Marking on the injector indicating the injector size. For example, 0.79 means the injector size is 0.79mm.

FR

LIRE ATTENTIVEMENT POUR VOTRE SECURITE

Information générale

PLACEMENT

- Ce produit a été conçu uniquement pour un usage extérieur ! Ne pas entreposer de produits inflammables à proximité de ce produit.
- Placer la bombonne de gaz à l'extérieur du meuble à plancha.
- La bombonne de gaz utilisée doit être conforme aux normes du pays ;
- Le détendeur de gaz utilisé doit être certifié pour la norme EN 16129:2013 ;
- Le tuyau doit être approuvé conformément à EN16436-1:2014.
- Un tuyau abîmé ou endommagé doit être remplacé ;
- S'assurer que le tuyau ne soit pas bouché, plié, ou en contact avec d'autres parties du barbecue à l'exception de la partie qui doit être connectée ;
- Le barbecue doit être placé dans un endroit non-combustible, pour éviter un feu qui peut être causé par la partie en-dessous du barbecue, qui surchauffe.

PRECAUTION EN CAS D'UNE FUITE EVENTUELLE DE GAZ

Fermer l'arrivée de gaz du barbecue.

Eteindre toutes sources de flammes. Ouvrir le couvercle. S'il y a encore une odeur de gaz, appeler immédiatement le revendeur de gaz ou les pompiers.

Si la bombonne semble être la source de la fuite, placer la bouteille à l'extérieur dans un endroit aéré et loin de toutes sources de flammes.

REMARQUE :

Des accidents graves peuvent se produire si la notice n'est pas scrupuleusement respectée. Une transformation ou modification de l'appareil peut représenter un danger. Un bon entretien et maintenance est fortement recommandé. Merci de lire entièrement la notice avant de procéder au montage.

S'assurer que le tuyau ne soit pas en contact avec des surfaces chaudes, et que le produit soit monté correctement.

Pour l'entretien, il est recommandé de faire réviser la PLANCHA par un technicien certifié. Lorsque la bouteille doit être changée, il est conseillé de vérifier les fuites du tuyau et des connections.

Aucun produit inflammable ne doit être proche de la PLANCHA quand vous l'utilisez. Surveillez toujours la PLANCHA quand vous l'utilisez. Tenir les enfants hors de la portée de la PLANCHA ; Ne pas toucher les parties chaudes. Nettoyer la PLANCHA régulièrement pour éviter que les graisses s'incrustent et s'enflamment. En cas d'accident causé par un manquement de nettoyage des graisses, la garantie se termine automatiquement.

S'assurer que la bouteille de gaz soit compatible avec ce produit : cette notice n'explique que la situation de butane ou de propane équipée d'un détendeur adapté. Afin de trouver l'équipement adéquat, merci de contacter le revendeur pour tout renseignement.

INSTALLATION

L'installation de la PLANCHA doit strictement respecter la notice. Cet appareil est uniquement conçu pour un usage en extérieur, et doit être installé à 1 mètre minimum de distance avec tout objet inflammable. Il est important que l'endroit où la PLANCHA et la bouteille de gaz sont installés, soit propre et ventilé

MONTAGE ET CONNEXION

Suivre attentivement la notice pour le montage.

Vérifier si les gaz sont compatibles avec l'étiquette sur la PLANCHA qui indique lesquels correspondent.

Le butane ou le propane peuvent être utilisés partout en Europe, mais faites attention aux vannes qui peuvent être différentes, et le détendeur doit être compatible avec la bombonne de GPL. Ne jamais forcer la fixation du clip du détendeur sur la vanne. Solliciter le revendeur si nécessaire. **Utilisez uniquement un détendeur et un tuyau adéquats dans le respect des pressions communiquées. Vérifiez si le tuyau n'est pas abîmé avant l'utilisation. Si besoin de remplacer ce dernier, utilisez uniquement ce que le revendeur ou le fabricant a spécifié.** Le tuyau doit être sécurisé par un détendeur et raccordé à l'appareil par un collier de serrage à l'aide d'un tournevis. Ne jamais utiliser le ruban adhésif pour sécuriser les connexions, ni d'autres matériaux similaires qui ne sont pas destinés aux GPL.

Fermez l'arrivée de gaz ou la bombonne de gaz quand la PLANCHA est au repos (ou pas utilisé), à la fois, il est conseillé de débrancher le détendeur. Conserver la bouteille de gaz à l'extérieur dans un endroit ventilé et hors de la portée d'enfants. S'assurer que la bouteille de gaz est bien en position verticale et sur une surface plane. **Les bouteilles de gaz supplémentaires ne doivent pas être conservées proche de la PLANCHA, ni sous la PLANCHA.**

VERIFIEZ LES FUTES

Merci de vérifier les fuites pour la première utilisation de la PLANCHA, et aussi pour chaque changement de bouteille de gaz. Pour vérifier s'il y a des fuites, suivez les étapes suivantes :

Ouvrir la vanne de la bombonne de gaz, mais ne pas allumer les brûleurs du PLANCHA.

Appliquer une solution savonneuse sur le tuyau et toutes les connexions.

Observer les endroits où il y a des bulles 20 secondes après, et vous devez les réparer avant l'utilisation de la PLANCHA. Essayez de serrer les connexions, si les fuites ne sont pas disparues, rapprochez-vous du revendeur. **Ne jamais chercher les fuites à l'aide d'une flamme nue !!!**

PREPARER LE GRILL ET LA PLANCHA (Uniquement compatible pour les PLANCHAS en fonte)

Cette partie ne conserve que des PLANCHAS en fonte. (Les autres surfaces doivent être nettoyées avant l'utilisation. Enlever les graisses et/ou l'huile de fabrication à l'aide de dégraissant.) Essuyer à sec le grill et la plancha, ensuite badigeonner les deux côtés avec de l'huile de cuisine. Remettre le grill et la plancha, allumer les brûleurs et laisser chauffer 15-20 minutes avec un feu doux. Après chaque utilisation, il est recommandé de laisser chauffer à feu maximum pour environ 10 minutes, afin de nettoyer la plancha en fonte. Nettoyez les résidus et l'huile ou les graisses restantes à l'aide d'une brosse, qui est disponible sur le site de revendeur.

REMARQUE : La plancha doit être bien nettoyée après chaque usage et pour une longue période stockée. Si cet entretien n'a pas bien respecté, cela risque de rouiller les surfaces.

PORCELAINES ET TEFLON

La plaque de grill doit être nettoyée avec de l'eau tiède savonneuse avant son utilisation ; Ne jamais nettoyer cette dernière avec une brosse ou avec des produits similaires. Un bon entretien peut entraîner une plus grande longévité il est donc conseillé de garder en marche la plaque pendant 10 minutes afin d'éliminer les résidus après chaque usage.

ENTRETIEN

La PLANCHA doit être bien nettoyée pour éviter la détérioration. Il est recommandé de mettre une housse de protection pendant la période de non-usage. Nettoyer soigneusement et régulièrement la PLANCHA à l'aide d'une huile neutre (Huile sans acide). L'huile destinée à la machine à coudre est compatible avec ce produit. Diffusez sur les parties amovibles, comme les charnières, les écrous de roue, les portes, etc. du lubrifiant.

Nettoyez les brûleurs régulièrement à l'aide d'une brosse souple ou utilisez de l'air comprimé et soufflez jusqu'à ce que le brûleur soit propre et que les trous ne soient pas bouchés. Si les brûleurs sont en fonte, mettre de l'huile neutre quelque fois par saison et toujours à la fin de la saison (avant de stocker la PLANCHA pour longtemps).

CE PARAGRAPHE CONCERNE UNIQUEMENT LES SURFACES EN INOX

Des petites parties de corrosion peuvent se produire, néanmoins, ce n'est pas un défaut, cela n'endommagera pas le produit. L'Inox est seulement le nom d'un niveau de qualité de l'acier, c'est une mauvaise notion que l'INOX ne rouille jamais.

L'INOX est plus résistant à la corrosion que les autres niveaux de qualité de l'acier, car il est couvert par une couche de chrome (Cr_2O_3) qui sert à résister à la corrosion. Cette couche se régénérera dans une certaine mesure où l'acier est endommagé, ce qui contribue à la longévité de ce matériau. Il est recommandé d'appliquer une fine couche d'huile neutre. Cette couche d'huile doit être bien étalée puis essuyer à l'aide d'un chiffon propre. Cette étape aura pour but de protéger de la saleté de la corrosion, ainsi que rendre brillant les surfaces en INOX.

Lorsque la teneur en chrome dépasse 17%, une fine couche externe se forme, protégeant l'acier de l'oxydation. Cette couche a une épaisseur de quelque nanomètre, ce qui est donc invisible. Si l'acier est endommagé il se reformera rapidement, ce qui devient un accès pour l'oxygène. Ce qui aura pour conséquence, plus de chrome appliqué sur l'acier, et donc plus de résistance à la corrosion.

UTILISATION BARBECUE

ALLUMAGE

S'assurer que la bombonne soit ouverte. Ne pas se pencher sur la PLANCHA pendant l'allumage de la PLANCHA. **REMARQUE** : le couvercle doit rester ouvert.

Faire attention à ce que le couvercle peut être très chaud pendant l'usage de la PLANCHA, dans ce cas, il n'y a que la poignée de couvercle pour s'en servir.

Des modèles de plancha sont équipés d'un bouton d'allumage électrique qui émet des étincelles lorsque le bouton d'allumage est appuyé et/ou tourné (selon les modèles). Appuyez sur le bouton de contrôle et maintenir la pression en tournant dans le sens opposé aux aiguilles d'une montre jusqu'à la position "MAX". Appuyez sur le bouton d'allumage jusqu'à ce que les brûleurs soient allumés.

Pour les modèles qui sont équipés d'un allumage intégré tournez le bouton de contrôle à mi-chemin en pressant jusqu'à ce que le bruit du gaz apparaisse, continuez à tourner le bouton de contrôle jusqu'à ce que le «click» soit entendu.

REMARQUE : souvent les brûleurs ne s'allument pas tout de suite lors du premier essai, car le mélange gaz-oxygène n'est pas optimal à ce moment-là Répétez cette étape plusieurs fois en pressant le bouton de contrôle et le tournant jusqu'à entendre le bruit d'allumage «click» et jusqu'à ce que les brûleurs soient tous allumés.

Cela est une manière sécurisée et fiable d'allumer votre PLANCHA. Lorsque le brûleur est allumé, tournez simplement les brûleurs restants à «MAX» sans appuyer.

Si les brûleurs ne s'allument pas lors du premier essai, appuyez et tournez le bouton de contrôle à la position "OFF". Ensuite répéter les étapes. Si le brûleur ne s'allume toujours pas, attendre quelques minutes avant de ressayer l'allumage.

Allumage manuel : si les procédures ci-avant ne fonctionnent pas, allumer l'appareil à l'aide d'une allumette.

EXTINCTION

Après l'usage de l'appareil, laissez les brûleurs à la position "MAX" pendant 15 minutes afin d'éliminer les graisses et les résidus.

Pour éteindre la PLANCHA, fermez premièrement la bombonne de gaz ; Cette étape permet au gaz de s'évaporer dans le tuyau. Cela dure seulement quelques secondes. Après, les brûleurs peuvent être éteints.

CUISINE

Saturer la surface de la PLANCHA à l'aide de l'huile de cuisine. Cela empêchera la nourriture de coller à la surface. Allumez les brûleurs et laissez cuire avec une feu faible («MIN»).

REMARQUE : pendant la cuisson

Les graisses provenant de la viande peuvent causer des flammes, cela représente un danger. Par conséquent, il est recommandé de retirer tous les excès de graisse de la viande.

RESPONSIBLE MIS AU MARCHÉ		GECODIS S.A. 32 RUE DE PARADIS 75010 PARIS, FRANCE		 0063-19 1984CU9001	
Dénomination commercial			GAS PLANCHA PRESTO 3		
Référence			1351_100518 / SRGG31706		
Catégorie	I ₃₊ (28-30/37)	I _{3B/P} (30)	I _{3B/P} (37)	I _{3B/P} (50)	
Pays	BE, CH, CY, CZ, ES, FR, GB, GR, IE, IT, LT, LU, LV, PT, SK, SI	BG, CY, DK, EE, FI, FR, HR, HU, IS, IT, LT, LU, MT, NL, NO, RO, SE, SI, SK, TR	PL	AT, CH, DE, SK	
Gaz&Pression	G30 Butane at 28-30mbar and G31 Propane at 37mbar	G30 Butane and G31 Propane at 30mbar	G30 Butane and G31 Propane at 37mbar	G30 Butane and G31 Propane at 50mbar	
Taille Injecteur	0.79 mm	0.79 mm	0.74 mm	0.66 mm	
Total apport de chaleur			$\Sigma Q_n=7.2$ kW (524g/h)		
<p>ATTENTION: Utiliser seulement en extérieur. S'il est conservé à l'intérieur, détacher et laisser la bombonne à l'extérieur. Lire le mode d'emploi avant d'utiliser l'appareil. Espace minimum libre requis de chaque côté et derrière de l'appareil: 100cm</p> <p>Danger: Des parties accessibles peuvent être brûlantes. Tenir les enfants hors de portée.</p>					
FABRIQUE EN PRC					

Marquez sur l'injecteur pour indiquer la dimension de l'injecteur. Par exemple, 0.79 présente que la dimension de l'injecteur est de 0.79mm.

ES

LEA ESTAS INSTRUCCIONES EN SU TOTALIDAD PARA SU PROPIA SEGURIDAD

Información General

INSTALACIÓN

- Este producto es para uso exclusivamente exterior. No utilice gasolina o cualquier otra sustancia inflamable cerca de este producto.
- Coloque el tanque de gas fuera del mueble de la barbacoa.
- El tanque de gas debe respetar los estándares de seguridad del país de uso.
- El regulador de gas debe tener la certificación EN 16129:2013.
- La manguera debe ser aprobada según EN16436-1:2014;
- Es necesario cambiar el tubo flexible cuando las condiciones nacionales así lo requieran. Los tubos flexibles dañados o usados deben ser reemplazados.
- Asegúrese que el tubo flexible no está obstruido, torcido o en contacto con ninguna pieza de la barbacoa a excepción de la salida de conexión.
- La barbacoa debe ser instalada en una mesa a prueba de fuego para evitar incendios causados por el sobrecalentamiento de la parrilla inferior de la barbacoa.
- La superficie de instalación de la barbacoa debe ser a prueba de fuego y de material no inflamable.

SEGURIDAD EN CASO DE SUSPECHA DE FUGA DE GAS

Cierra el suministro de gas de la barbacoa y desconecte el regulador del tanque.

Apague cualquier quemador encendido y retire cualquier posible fuente de incendio. Abra la cubierta, si el olor a gas continúa, contacte a su proveedor de gas o al cuerpo de bomberos inmediatamente.

Si resulta que el tanque de gas es la fuente del olor/fuga, colóquelo al exterior con suficiente ventilación y alejado de cualquier fuente de incendio.

NOTA:

Una mala instalación, ajustes y cambios, o una falta de mantenimiento puede causar daños a personas o materiales. Por lo tanto es importante leer cuidadosamente las instrucciones sobre cómo instalar, utilizar y conservar el producto antes de montarlo. La barbacoa debe ser instalada siguiendo las normas locales y nacionales. Asegúrese que la manguera de gas no está torcida ni en contacto con superficies calientes y que la barbacoa está instalada exactamente como lo indica el manual del usuario. Para mantenimiento, por favor contacte un técnico autorizado. Siempre asegúrese que la barbacoa se encuentra lejos de material inflamable cuando está en uso. Todas las mangueras y los conectores deben ser verificados para constatar cualquier fuga cada vez que el tanque de gas es reemplazado. Cuando la barbacoa está encendida, tiene que ser supervisada a todo momento. Mantenga a los niños alejados de la parrilla; tocar superficies caliente puede provocar quemaduras. La barbacoa debe estar siempre limpia para evitar inicios de incendio debidos a restos de grasa. Los incendios iniciados a causa de restos de grasa anulan la garantía. Asegúrese que el tanque de gas es adaptado a su producto: El manual de instrucciones indica el tanque de gas y los reguladores necesarios, así mismo se indica que esta barbacoa utiliza gas propano o butano. Para los países del norte recomendamos utilizar gas propano, ya que este puede ser utilizado a baja temperatura. Tome nota que el gas y la presión del gas pueden variar de un país al otro. Si tiene alguna duda, contacte con el revendedor.

INSTALACIÓN

La barbacoa debe ser instalada siguiendo estas instrucciones y es únicamente para una utilización exterior. No puede ser utilizada en garajes, carpas, etc. Y debe estar situada como mínimo a 1000 mm de cualquier superficie inflamable. La barbacoa no puede ser instalada en ningún vehículo o bote. Es importante mantener el área alrededor de la barbacoa y del tanque de gas limpia y colocarlos en un lugar con suficiente ventilación. La barbacoa nunca debe ser instalada cerca de un material inflamable, gasolina u otros gases o líquidos inflables.

ENSAMBLAJE Y CONEXIONES

Monte el producto siguiendo estas instrucciones.

Tome nota de las indicaciones acerca del gas apropiado para tu barbacoa y verifica que el gas que utilizas corresponde a tu barbacoa. El gas propano y butano es utilizado en toda Europa. Ten en cuenta que existen varios tipos de válvulas para tanques de gas y que el regulador debe conectarse correctamente a tu tanque de GLP. Nunca trates de forzar la válvula del tanque para que entre en un regulador "click on". Pide asistencia a tu revendedor si encuentras algún problema. Nunca hagas adaptaciones con reguladores y mangueras de baja presión. **Las mangueras de gas deben ser inspeccionadas en busca de signos de avería o fuga antes de ser utilizadas. Si alguna de estas piezas debe ser remplazada, utilice únicamente piezas autorizadas por el fabricante.** El regulador y las mangueras de gas deben estar sujetadas utilizando abrazaderas de manguera que aprietan utilizando un tornillo. No sujete ninguna manguera con cinta adhesiva o algún material similar no compatible con GLP.

Cuando el tanque de gas no está siendo utilizado, debe estar cerrado, y se aconseja desconectarlo igualmente. Los tanques de gas que no están siendo utilizados deben ser almacenados al exterior en un lugar bien ventilado, fuera del alcance de los niños. Asegúrese que el tanque esté en posición vertical y sobre una superficie plana. **Los tanques de gas adicionales no deben ser almacenados debajo o a proximidad de la barbacoa.**

Verificación de posibles fugas.

Cuando conecte la barbacoa al tanque de gas por primera vez, verifique que no hay fugas, y también cada vez que cambie el tanque de gas. Para verificar la existencia de fugas, abra el suministro de gas del tanque pero no abra la perilla de los quemadores de la barbacoa. Las mangueras se llenarán de gas. Después pon agua con jabón sobre todas las conexiones. Cualquier fuga provocará burbujas en espacio de 20 segundos. Si una fuga es detectada, apriete las conexiones. Si la fuga no cesa, contacte a su revendedor. Nunca utilice una flama para buscar una fuga.

Preparación de la parrilla y la plancha. (Sólo se aplica a las barbacoas que están hechas de hierro fundido).

Esto sólo se aplica a barbacoas de hierro fundido. Las otras superficies deben limpiarse antes de su uso. Utilice un detergente para eliminar posibles restos de grasa y / o aceite. Seque, a continuación, unte ambos lados de la placa con aceite de cocina. Vuelva a instalar las placas, encienda los quemadores y déjelos encendidos en posición baja durante 15-20 minutos, o hasta que deje de escurrir. Para limpiar las planchas de hierro fundido se recomienda encenderlo en posición máxima durante aproximadamente 10 minutos. Los restos de alimentos se eliminan con un cepillo de acero, que se puede obtener de su revendedor.

NOTA: Las planchas también deben ser untadas con aceite después de cada uso y si la barbacoa no se va a utilizar durante un período de tiempo más largo. De lo contrario, se producirá una capa de óxido en la superficie.

Porcelana y teflón

Estas placas de la parrilla se deben lavar con agua jabonosa antes de uso; cepillos de acero u otros nunca deben ser utilizados para la limpieza. Las placas de la parrilla durarán más si se mantienen limpias, y los restos de comida se "queman" después de cada uso.

Mantenimiento

Su barbacoa debe mantenerse limpia para no deteriorarse. La superficie necesitará un tratamiento similar al de un automóvil, y la barbacoa debe estar protegida por una cubierta ajustada cuando esté almacenada. Limpie la barbacoa a fondo sobre una base regular, y cubra con una fina capa de aceite neutro (aceite sin ácido). Los aceites utilizados para herramientas o armas son adecuados. Las piezas móviles tales como las bisagras, las tuercas de las ruedas y las puertas deben rociarse con un lubricante. Los quemadores también necesitan mantenimiento. Manténgalos limpios cepillándolos, y asegúrese de que los agujeros se mantengan abiertos y libres de suciedad. Si su barbacoa tiene quemadores de hierro fundido, estos deben ser cubiertos con aceite de cocina unas pocas veces por temporada y siempre al final de cada temporada y antes de detener la barbacoa por un período más largo de tiempo.

Este párrafo se aplica a las barbacoas con una superficie de acero inoxidable

Pueden producirse pequeñas cantidades de corrosión superficial. Esto no es un defecto y no dañará el producto. El acero inoxidable es simplemente el nombre de una cierta calidad de acero, y es un malentendido común que el acero inoxidable nunca podrá contraer corrosión. Aquí intentaremos explicar la razón por la que algunos clientes experimentarán la oxidación de la superficie de las barbacoas.

El acero inoxidable tiene una mayor resistencia a la oxidación que otros tipos de acero, ya que está cubierto por una capa de cromo (Cr₂O₃) que protege el acero de la oxidación. Esta capa se regenera hasta cierto punto donde el acero está dañado, contribuyendo a la longevidad de este material. Para mantener brillante la superficie del acero inoxidable, es importante el mantenimiento mediante una limpieza a fondo y la saturación con aceite neutro.

La adición de cromo al acero crea acero inoxidable con resistencia a la corrosión. Cuando el contenido de cromo supera el 17%, se forma una delgada capa externa, protegiendo el acero de la oxidación. Esta capa externa de óxido de cromo mide solo unos pocos nanómetros de espesor, por lo tanto no es visible a simple vista. Si el acero está dañado, se reformará rápidamente, siempre que haya acceso al oxígeno. La resistencia química del acero inoxidable aumenta con cantidades crecientes de cromo, pero también con menos carbón. Es por eso que nos esforzamos por mantener siempre el contenido de carbón por debajo del 0,25%.

USO DE LA BARBACOA

Encendido

Asegúrese de que el suministro de gas esté abierto. No se incline sobre la barbacoa al encender los quemadores. NOTA: La tapa debe mantenerse siempre abierta mientras se enciende.

Tenga en cuenta que la superficie de la tapa estará caliente cuando se utiliza la barbacoa, durante el cual sólo se debe tocar el mango de la tapa. La barbacoa tiene un encendedor electrónico que emite chispas cuando el botón es empujado y / o girado (varía entre modelos). Empuje hacia abajo y gire el botón del quemador en sentido contra las manecillas de un reloj hasta la posición "MAX". A continuación, mantenga presionado el botón del encendedor hasta que el quemador se encienda. Para barbacoas con un encendedor incorporado, gire el interruptor a mitad de camino y mantenga empujando el interruptor hacia abajo hasta que pueda oír el flujo de gas, y luego seguir girando el interruptor hasta que se escuche un clic. El quemador a menudo no se enciende instantáneamente en el primer intento, porque la mezcla de gas y oxígeno no es óptima en ese momento. Una vez que el quemador se enciende, puede encender los quemadores restantes simplemente abriendo el flujo de gas a "MAX".

Si el quemador no se enciende al primer intento, presione y gire el botón de nuevo a la posición "off" y repita el procedimiento. Si el quemador todavía no se enciende, espere unos minutos para dar tiempo al gas para difundir lejos de la barbacoa antes de intentar de nuevo.

Encendido manual: Si los procedimientos descritos no funcionan, el quemador se puede encender manualmente, utilizando una cerilla (larga).

Apagando la barbacoa

Cuando termine de cocinar, deje los quemadores en la posición "MAX" durante 15 minutos para que se retire la grasa restante de los alimentos. Al apagar la barbacoa, cierre primero el suministro del tanque de gas; Esto permitirá que el gas que queda en la manguera se evapore. Esto sólo requerirá unos segundos. Los quemadores pueden apagarse.

Cocinar

Saturar la superficie de la plancha con aceite de cocina. Esto evitará que los alimentos se peguen a la superficie de la parrilla. Encienda los quemadores y deje que se quemen a baja temperatura ("MIN").

VENDEDOR		GECODIS S.A. 32 RUE DE PARADIS 75010 PARIS, FRANCE		 0063-19 1984CU9001	
Nombre del producto			GAS PLANCHA PRESTO 3		
Modelo No.			1351_100518 / SRGG31706		
Categoría	I ₃₊ (28-30/37)	I _{3B/P} (30)	I _{3B/P} (37)	I _{3B/P} (50)	
País	BE, CH, CY, CZ, ES, FR, GB, GR, IE, IT, LT, LU, LV, PT, SK, SI	BG, CY, DK, EE, FI, FR, HR, HU, IS, IT, LT, LU, MT, NL, NO, RO, SE, SI, SK, TR	PL	AT, CH, DE, SK	
Gas & Presión	G30 Butane at 28-30mbar and G31 Propane at 37mbar	G30 Butane and G31 Propane at 30mbar	G30 Butane and G31 Propane at 37mbar	G30 Butane and G31 Propane at 50mbar	
Tamaño del inyector	0.79 mm	0.79 mm	0.74 mm	0.66 mm	
Total entrada de calor			$\Sigma Q_n=7.2$ kW (524g/h)		
<p>CUIDADO: PARA USO EXCLUSIVAMENTE EXTERIOR. Si se almacena al interior, desconecte el tanque de gas y déjelo al exterior. Lea las instrucciones antes de usar el producto. Dejar un mínimo de 100 cm a los lados y detrás del producto para poder ser utilizado.</p> <p>PELIGRO: Algunas partes pueden estar muy calientes. Mantenga a los niños alejados.</p>					
HECHO EN PRC					

Marcaje en el inyector indicando el tamaño del inyector. Por ejemplo, 0,79 significa que el tamaño del inyector es 0.79 mm.

IT

LEGGERE ATTENTAMENTE QUESTE AVVERTENZE PER LA PROPRIA SICUREZZA

Informazioni generali

POSIZIONAMENTO

- Questo prodotto è inteso per un uso esclusivamente esterno! Non tenere benzina o qualsiasi liquido infiammabile vicino a questo prodotto.
- Place the gas tank out of the barbecue cabinet.
- La bombola di gas utilizzata deve essere conforme alle regolamentazioni in vigore nel paese di utilizzo.
- Il rubinetto deve essere certificato EN 16129:2013;
- Il tubo flessibile viene approvato ai sensi di EN16436-1:2014;
- È necessario cambiare il flessibile alla scadenza secondo la regolamentazione applicabile, e i flessibili usati o danneggiati devono essere sostituiti;
- Assicurarsi che il flessibile non sia ostruito, piegato o in contatto con qualsiasi parte del barbecue altra che il connettore;
- Il barbecue va posizionato su un piano resistente al calore, per evitare che il piano prenda fuoco in caso di surriscaldamento del fondo del barbecue ;
- La superficie che supporta il barbecue deve essere di materiale ignifugo e non combustibile.

SICUREZZA IN CASO DI SOSPETTO DI FUGA DI GAS

Chiudere il rubinetto di gas del barbecue e scollegarlo dalla bombola.

Spegnere ogni fiamma aperta e rimuovere le possibili fonti di scintille. Aprire il coperchio, se l'odore di gas persiste, contattare il fornitore di gas o i vigili del fuoco immediatamente.

Se la bombola sembra essere la fonte dell'odore/della perdita, posizionarla all'esterno con buona ventilazione e lontano da ogni possibile fonte di calore o scintille.

NOTA:

Un'installazione incorretta, cambi e variazioni o mancanza di manutenzione e revisione possono causare danni a cose o persone. Di conseguenza è estremamente importante leggere attentamente le istruzioni di montaggio e manutenzione del prodotto prima dell'assemblaggio. Il barbecue deve essere installato secondo le regolamentazioni locali in vigore. Assicurarsi che il tubo del gas non sia bloccato, e che non sia mai in contatto con superfici calde, e che il barbecue sia installato in perfetto accordo con queste istruzioni. Per la manutenzione straordinaria contattare un professionista autorizzato. Assicurarsi sempre che il barbecue sia lontano da materiale infiammabile prima e durante l'uso. Tutti i tubi e raccordi del gas devono essere controllati per possibili fughe ogni volta che si sostituisce la bombola del gas. Quando è acceso, il barbecue deve essere sotto sorveglianza costante. Tenere fuori dalla portata dei bambini; il contatto con superfici calde può causare bruciate. Il barbecue deve essere mantenuto pulito per evitare fiammate causate da resti di materia grassa. Il fuoco risultante dalla combustione di materie grasse porrà fine alla garanzia del prodotto. Assicurarsi che la bombola sia compatibile col prodotto: questo manuale fa riferimento a bombole e rubinetti e questo barbecue utilizza propano o butano. Nei paesi nordici si raccomanda l'uso di gas propano, vista la sua compatibilità con l'utilizzo a basse temperature. Si noti che i gas e la pressione del gas possono variare a seconda del paese di utilizzo. Nel dubbio, contattare il rivenditore.

INSTALLAZIONE

Il barbecue deve essere installato secondo queste istruzioni e deve essere utilizzato esclusivamente all'aria aperta. Non deve essere utilizzato in garage, tende, ecc e deve essere posizionato ad un minimo di 1000 mm da qualsiasi superficie infiammabile. Il barbecue non può essere installato in un veicolo o in una barca. È importante mantenere pulita l'area adiacente al barbecue e alla bombola di gas, e di controllare che siano posizionati in un luogo sufficientemente ventilato. Il barbecue non deve mai essere posizionato in prossimità di materiale infiammabile, carburante o altri liquidi o gas infiammabili.

MONTAGGIO E COLLEGAMENTO

Montare il prodotto seguendo le istruzioni.

Prendere nota dell'etichetta con la lista dei compatibili sul barbecue e assicurarsi che il gas in vostro possesso sia appropriato per il vostro barbecue. Butano e propano sono usati in tutta Europa. Fate attenzione al fatto che esistono diversi tipi di valvole per bombola di gas e che il rubinetto deve collegarsi appropriatamente alla bombola. Non tentare mai di forzare la valvola per far combaciare il rubinetto. In caso di problemi, contattare il fornitore. **Mai modificare il rubinetto o i connettori. Il tubo del gas deve essere ispezionato alla ricerca di segni di danneggiamento/perdita prima dell'uso. In caso di sostituzione uno qualsiasi di questi pezzi, usare solo ricambi specificati dal produttore.** Il rubinetto e il tubo del gas devono essere fissati con fascette stringitubo, strette con l'aiuto di un cacciavite. Non fissare nessun raccordo con del nastro adesivo o qualsiasi altro materiale non destinato al GPL.

Quando la bombola non è in uso deve essere chiusa ed è consigliata la rimozione del rubinetto. Le bombole di gas che non sono in uso devono essere conservate all'esterno in un luogo ventilato e fuori dalla portata dei bambini. Assicurarsi che la bombola sia in posizione verticale su un suolo piatto. **Le bombole di riserva non devono essere riposte sotto o in prossimità del barbecue.**

Controllare possibili perdite

Si prega di controllare possibili perdite in occasione del primo collegamento del barbecue alla bombola di gas e ad ogni cambio di bombola. Per controllare le perdite, aprire la mandata del gas dalla bombola senza accendere i fornelli. Il tubo si riempirà di gas. In seguito versare un misto di acqua e sapone su tutti i collegamenti. Uno spray può essere richiesto al fornitore in sostituzione dell'acqua insaponata. In caso di perdite si formeranno delle bolle in circa 20 secondi. Se si constata una perdita, stringere ulteriormente i connettori. Se la perdita persiste, contattare il fornitore. Mai utilizzare una fiamma aperta in cerca di perdite!

Preparare la griglia e la piastra. (Per i barbecue con griglia e piastra in ghisa).

Per i barbecue on parti in ghisa. Le altre superfici vanno pulite prima dell'uso. Usare un detergente per rimuovere possibili residui di grasso e/o olio di produzione. Asciugare con cura e trattare ambo i lati della piastra con olio da cucina. Rimontare le piastre, accendere i fornelli e lasciarli accesi a fuoco basso per 15-20 minuti o fino a quando l'olio non smette di fuoriuscire. Accendere a fiamma massima per circa 10 minuti è consigliato dopo ogni utilizzo per pulire le griglie di ghisa. Per eliminare i resti, usare una spazzola di metallo.

NOTA: Anche la griglia deve essere imbevuta d'olio dopo l'uso e se in caso di inutilizzo prolungato. In caso contrario si formerà una patina di ruggine sulla superficie.

Porcellana e Teflon

Queste griglie devono essere lavate con acqua insaponata prima dell'uso; non usare spazzole di metallo o simili per la pulizia. Le piastre resisteranno più a lungo se mantenute pulite e se i resti di cibo sono eliminati dopo ogni uso.

Manutenzione

Per non deteriorarsi, il barbecue deve essere pulito. La superficie necessita un trattamento simile a quello di un'automobile e il barbecue va protetto con una fodera se non è utilizzato. Pulire accuratamente e regolarmente il barbecue, e coprirlo con uno strato sottile di olio neutro (privo di acidi). Sono adatti a questo uso gli olii utilizzati per le macchine da cucire o per le armi. Le parti mobili vanno lubrificate con un lubrificante spray.

Anche i fornelli hanno bisogno di manutenzione. Pulirli spazzolandoli e assicurarsi che i fori siano

aperti e liberi dalla sporcizia. Se il vostro barbecue è dotato di fornelli di ghisa, questi ultimi vanno ricoperti di olio da cucina occasionalmente, e sistematicamente a fine stagione prima di smettere di utilizzare il barbecue per un lungo periodo.

Questo paragrafo è applicabile ai barbecue in acciaio inox

Possono apparire piccole quantità di ruggine. Non si tratta di un difetto questo non danneggerà il prodotto. L'inox è semplicemente un nome di una certa qualità di acciaio, ed è un errore comune pensare che l'acciaio inox non arrugginisca mai. Cercheremo di spiegare in questo paragrafo le principali cause dell'ossidazione della superficie del barbecue.

L'acciaio inox, rispetto agli altri tipi di acciaio, ha una maggiore resistenza alla ruggine grazie al fatto che è coperto da uno strato di cromo (Cr_2O_3) che protegge l'acciaio dall'ossidazione. Questo strato rigenera l'acciaio dove danneggiato e contribuisce alla longevità di questo materiale. Per mantenere la brillantezza dell'inox, è importante una pulizia approfondita e la cura con l'olio neutro.

L'aggiunta del cromo all'acciaio produce dell'inox resistente alla corrosione. Quando il tenore in cromo è superiore a 17% si forma una fine pellicola che protegge passivamente l'acciaio dall'ossido. Questa pellicola esterna di ossido di cromo è spesso solo pochi nanometri, quindi invisibile all'occhio nudo. Se l'acciaio è danneggiato, si riformerà rapidamente, a condizione che non vi sia accesso ad ossigeno. La resistenza chimica dell'inox aumenta all'aumentare della quantità di cromo, ma anche al diminuire del contenuto in carbonio.

USO DEL BARBECUE

Accensione

Assicurarsi che il rubinetto del gas sia aperto. Non sporgersi sul barbecue mentre si accendono i fornelli. NOTA: il coperchio deve sempre essere aperto all'accensione.

Attenzione, il coperchio si scalda con l'uso del barbecue: per questa ragione toccare solo la maniglia. Il barbecue ha un'accensione elettronica che emette scintille quando la manopola è spinta e/o ruotata (variabile secondi i modelli). Premere e girare la manopola per il fornello che si vuole accendere fino alla posizione "MAX". Mantenere la manopola spinta fino all'accensione del fornello. Per i barbecue dotati di accensione integrata, girare l'interruttore a metà

Per i barbecue con accenditore incorporato, mettere l'interruttore sulla posizione intermedia e tenere spinto l'interruttore verso il basso fino a quando si sente fuoriuscire il gas, poi girare l'interruttore fino a che non si sente il clic. Il fornello spesso non si accende subito al primo tentativo perché la miscela di gas e ossigeno non è ottimale. Ripetere ruotando l'interruttore più volte fino all'accensione del fornello. Questo è un modo sicuro e affidabile per accendere il barbecue. Una volta acceso il fornello, è possibile accendere gli altri regolando semplicemente le manopole su MAX. Se il fornello non si accende al primo tentativo, spingere e ruotare la manopola su OFF e ripetere la procedura. Se il fornello ancora non si accende, attendere qualche minuto per dissipare il gas attorno al barbecue prima di tentare di nuovo.

Accensione manuale: Se le procedure descritte qui sopra non dovessero funzionare, il fornello può essere acceso manualmente, utilizzando un lungo fiammifero.

Spegnimento


Quando si è finito di cucinare, lasciare i fornelli al massimo per una durata di massimo 15 minuti in modo da rimuovere il grasso degli alimenti rimasto. Per spegnere il barbecue, in primo luogo chiudere il rubinetto del gas sulla bombola; questo permette al gas rimasto nel tubo di evaporare. Questo procedimento richiede solo qualche secondo, dopodiché i fornelli potranno essere spenti.

Cucina

Saturare la superficie della griglia con olio da cucina: questo procedimento serve a prevenire che il cibo si attacchi alla griglia. Accendere i fornelli e lasciarli accesi a bassa temperatura ("MIN").

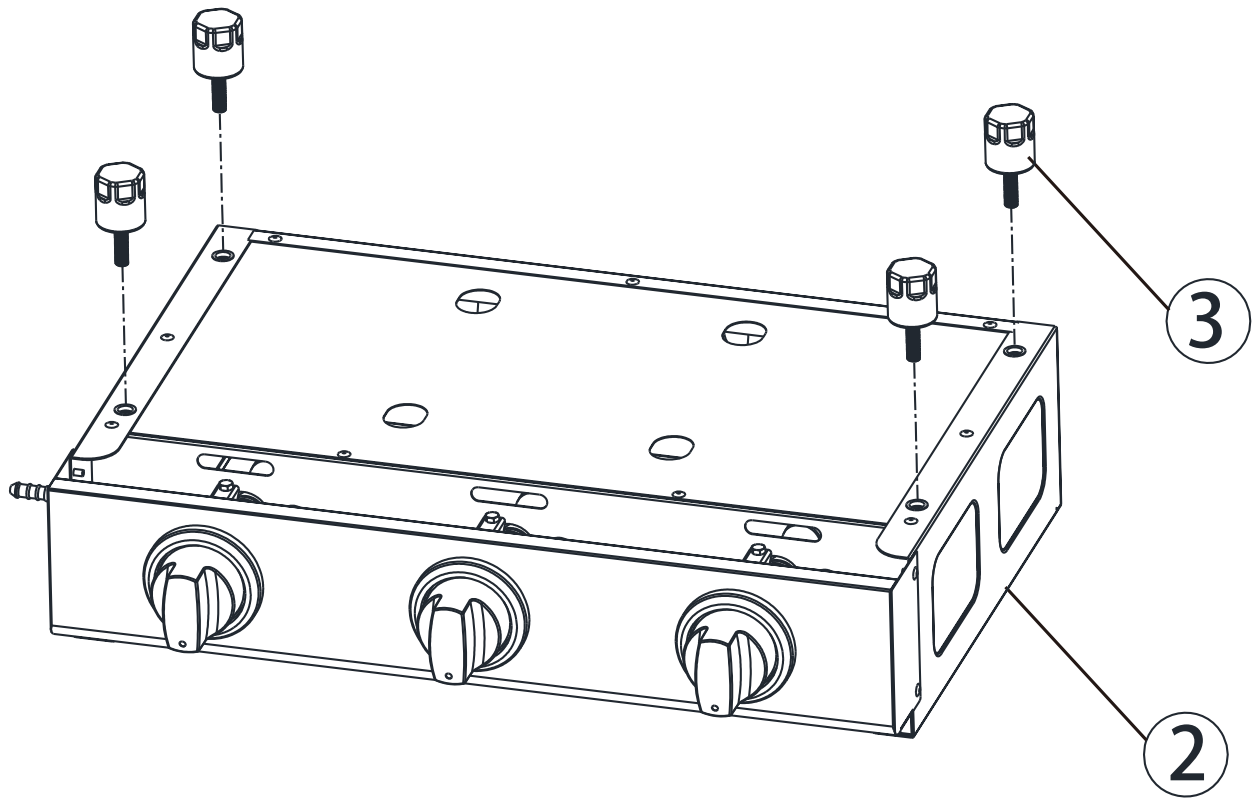
Consiglio: cucinando

Le fiamme provocate dallo sgocciolio del grasso dal cibo sono suscettibili di compromettere la cottura, rendendo il cibo più facilmente bruciato. Se questo diventa un problema, togliere il grasso dalla carne o togliere la carne dal fuoco.

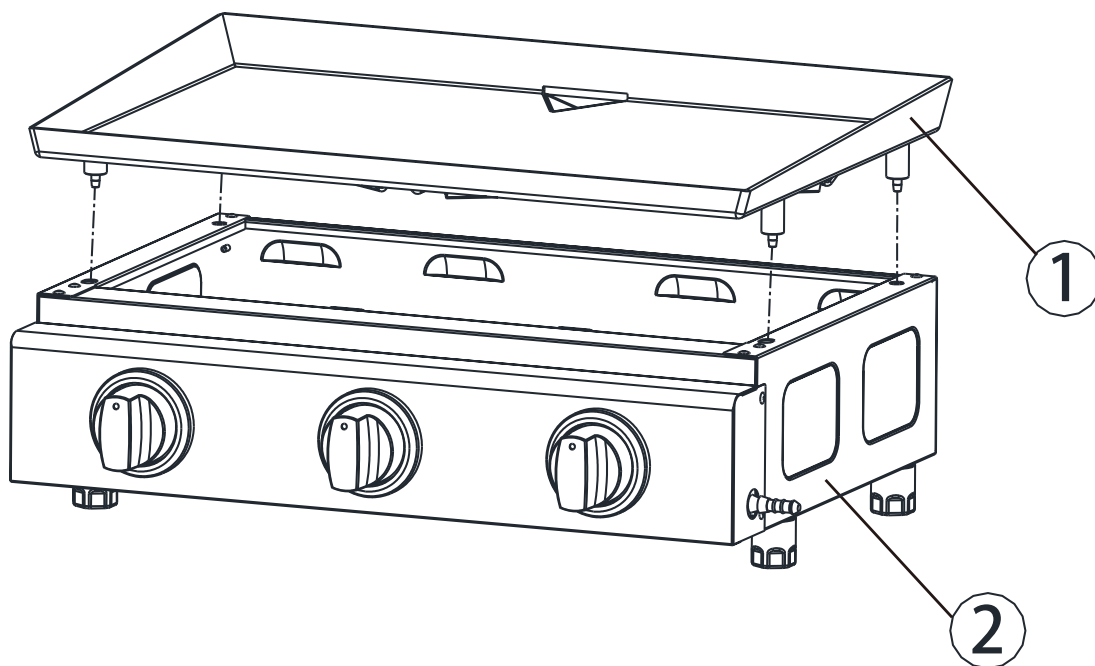
VENDITORE		GECODIS S.A. 32 RUE DE PARADIS 75010 PARIS, FRANCE		 0063-19 1984CU9001	
Nome del prodotto			GAS PLANCHA PRESTO 3		
Referenza			1351_100518 / SRGG31706		
Categoria	I3+(28-30/37)	I3B/P(30)	I3B/P(37)	I3B/P(50)	
Paese	BE, CH, CY, CZ, ES, FR, GB, GR, IE, IT, LT, LU, LV, PT, SK, SI	BG, CY, DK, EE, FI, FR, HR, HU, IS, IT, LT, LU, MT, NL, NO, RO, SE, SI, SK, TR	PL	AT, CH, DE, SK	
Gas & Pressione	G30 Butane at 28-30mbar and G31 Propane at 37mbar	G30 Butane and G31 Propane at 30mbar	G30 Butane and G31 Propane at 37mbar	G30 Butane and G31 Propane at 50mbar	
Misura dell'iniettore	0.79 mm	0.79 mm	0.74 mm	0.66 mm	
totale input di calore			$\Sigma Q_n=7.2$ kW (524g/h)		
ATTENZIONE: Per un uso esclusivamente esterno. Se è immagazzinato all'interno, bisogna scollegare e lasciare la bombola di gas all'esterno. Leggere il manuale d'istruzione prima di utilizzare l'apparecchio. Spazio minimo che deve essere libero intorno all'apparecchio: 100cm PERICOLO: Dei componenti accessibili possono essere molto caldi. Bisogna tenere i bambini lontani.					
FABBRICATO NELLA PRC					

Marchatura sull'iniettore indicante la dimensione dell'iniettore. Ad esempio, 0,79 significa la dimensione dell'iniettore pari a 0,79mm.

STEP 1



STEP2



STEP3

