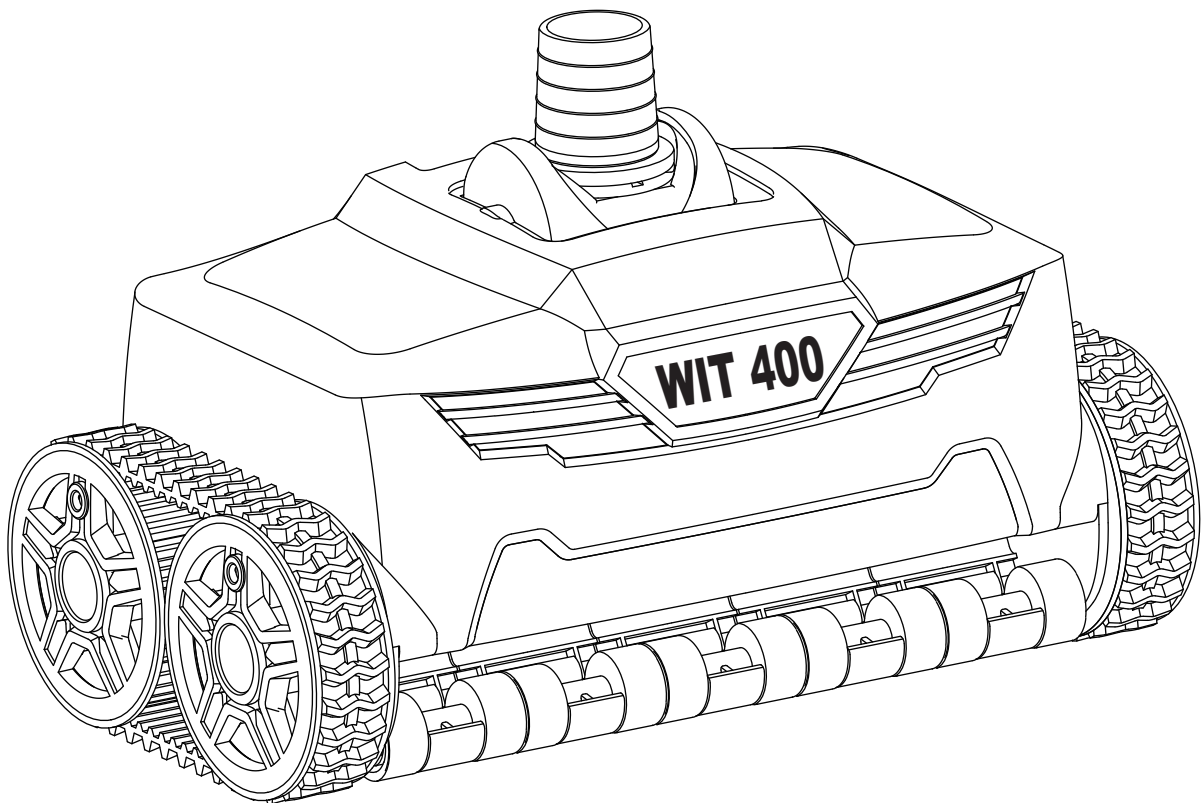


WIT 400

Robot automatic pool cleaner User manual



Ningbo Poolstar Pool Products Co., Ltd

www.cnpoolstar.com

Safety warnings and instructions

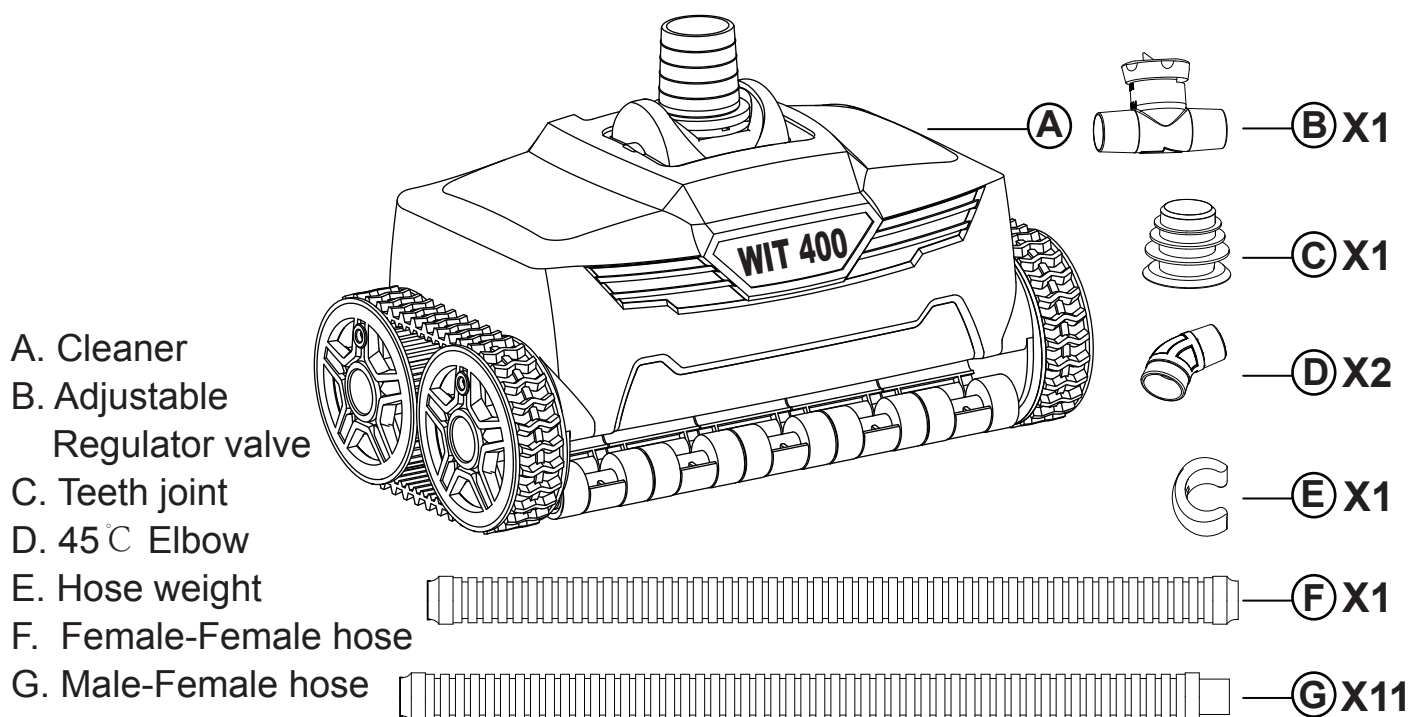
Before operation, please carefully read the manuals, to be sure it is understood, otherwise, it may cause serious damages.

⚠ WARNING!

- | | |
|--|--|
| <ul style="list-style-type: none"> ● Do not clean in new pools without firstly manual cleaning . ● Remove the cleaner before chemically shocking your pool. ● Do not swim with cleaner together. ● Pipe out the water and store the cleaner under the roof safely. ● Remove cleaner when filter backwash. | <ul style="list-style-type: none"> ● Keep away from children and pets. ● Repair the vinyl first, when there is broken / damages . ● If you find any damage to the cleaner, please stop using it. ● Keep away from hairs, cloths, or body, to avoid injury. |
|--|--|

Note: The above warnings do not avoid all risks or serious injuries. Please operate carefully with common sense.

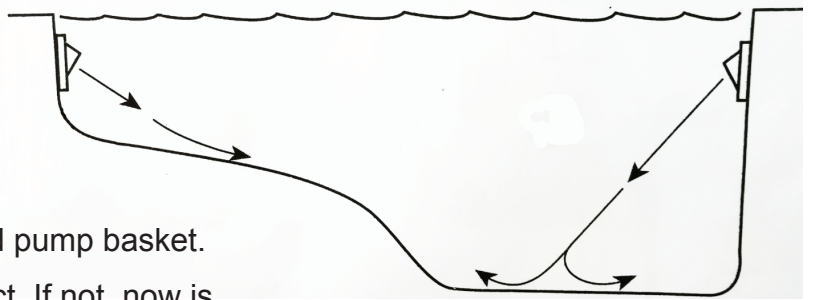
Components



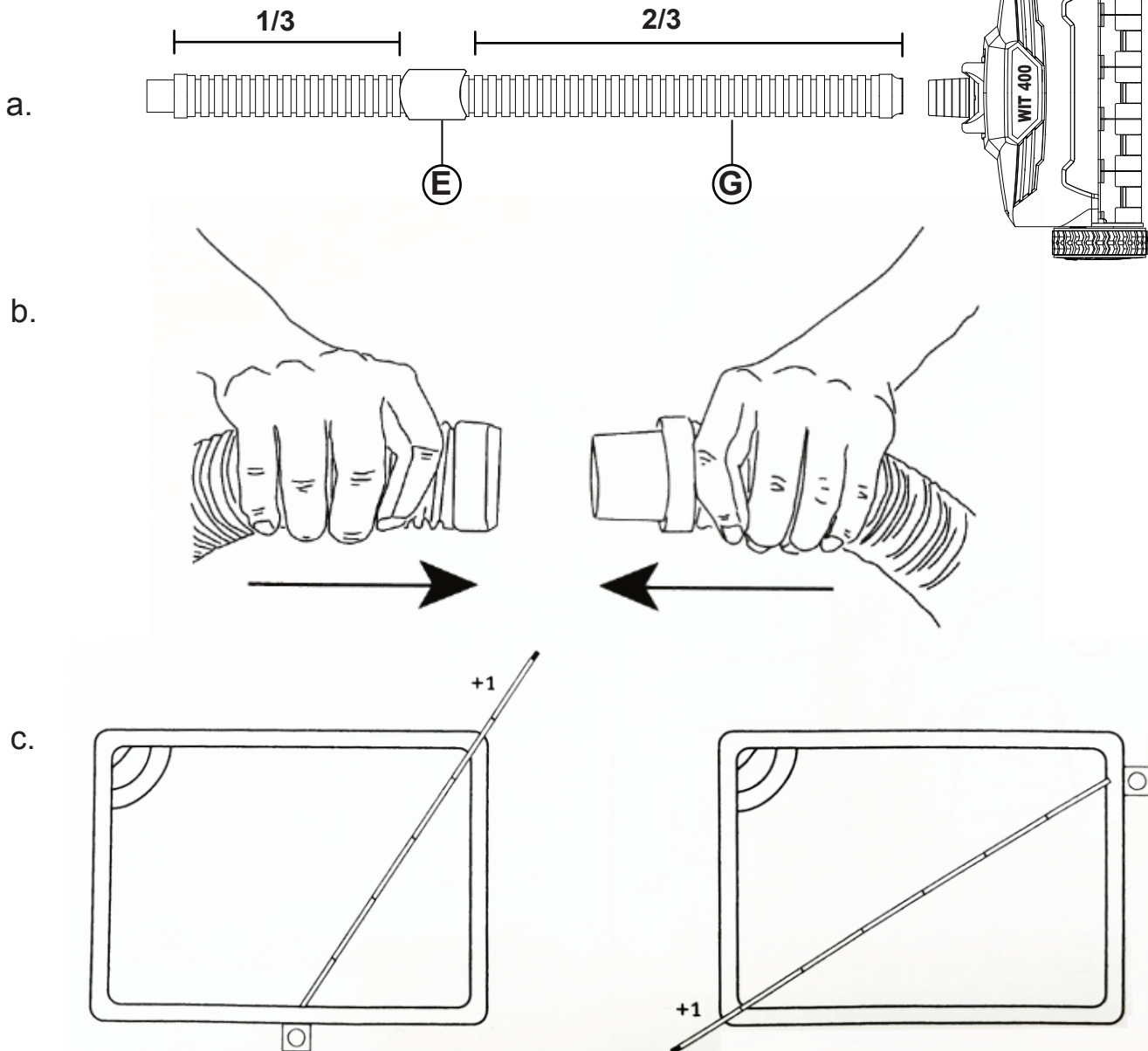
Installing the cleaner

STEP 1: Preparing your pool.

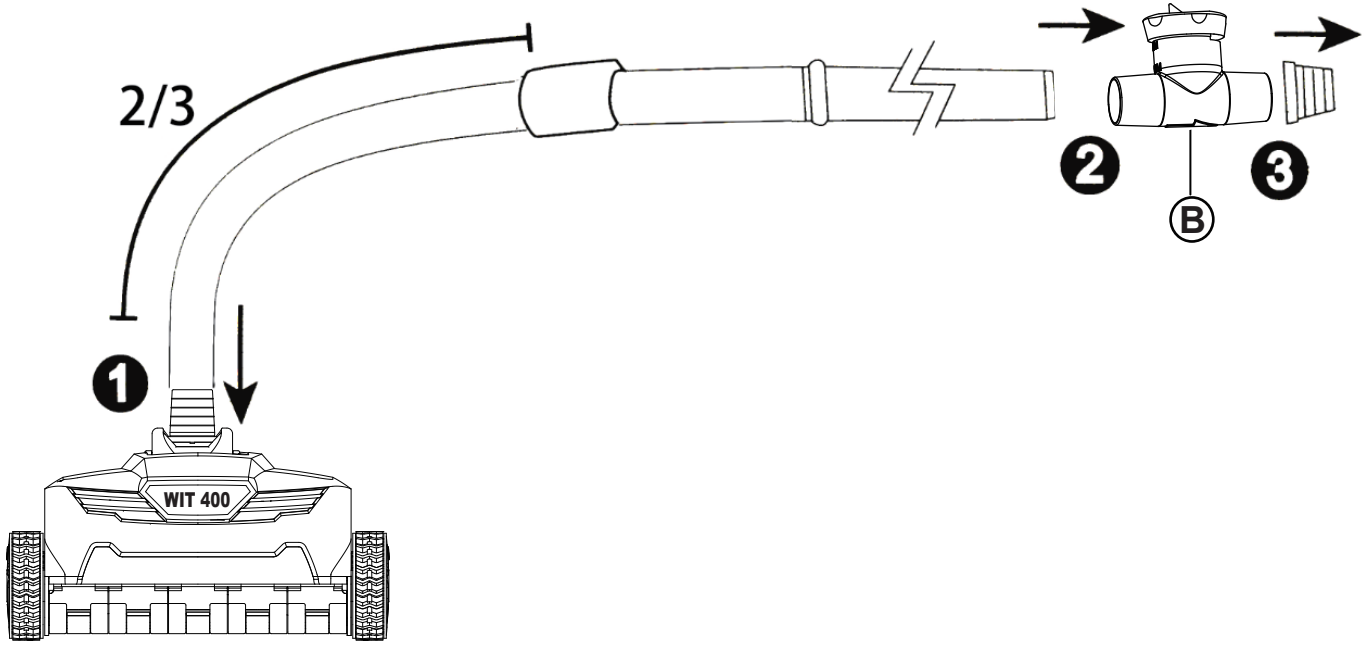
1. Manually remove very large debris from pool (ie. post storm, spring cleaning/pool opening situations).
2. Backwash your filter, skimmer baskets and pump basket.
3. make sure your chemical balance is correct. If not, now is the time to correct it . Use the pool after 4 hours of adjustment.
4. Returning devices pointing down .
5. Close pump.



STEP 2: Connecting the hoses.

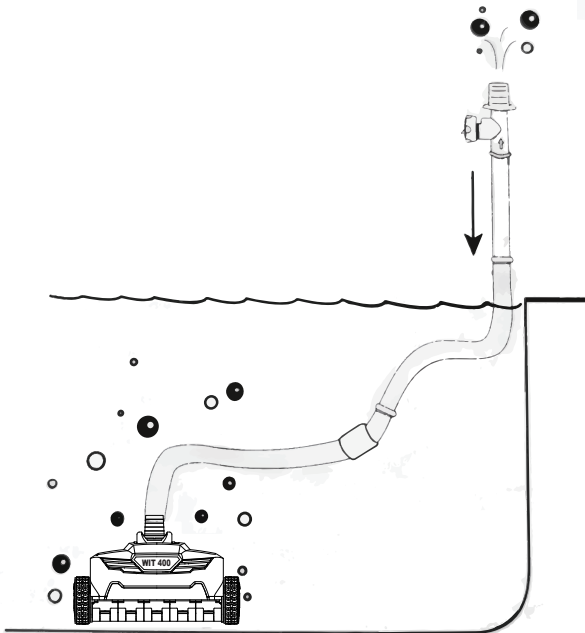
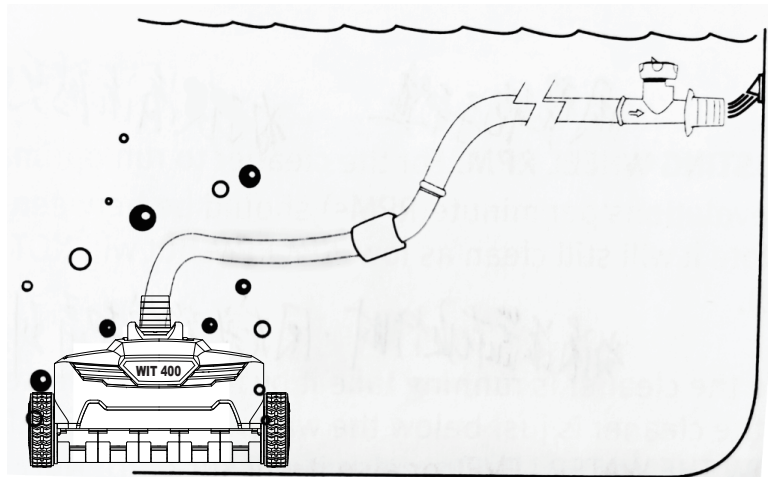


STEP 3: Connect with the cleaner.



STEP 4: Cleaner into the water .

Put the cleaner into the water, turn on your pump ,and make one hose connect with the regular valve, to pipe out the air from cleaner and hoses.

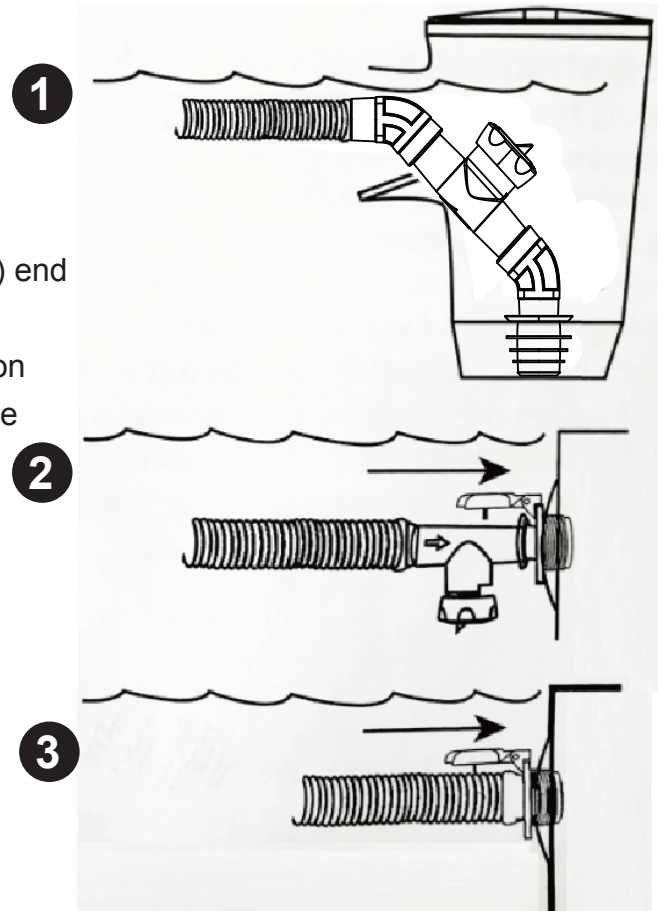


OR

Turn off the pump, put the cleaner into water, and the vertically draw the hose down into the water till the hose is completely filled with water.

STEP 5: Connecting to pump.

1. Make sure that the filtration pump is turned off.
2. If you are hooking into a skimmer, tightly press the Regulator Valve and the Hose Cone (valve adapter) end into the bottom of your skimmer (see image 1).
3. If you are hooking into a designated threaded suction Port/line then unscrew in the Vac Lock and insert the Regulator Valve (see image 2).
Or
Insert the hose directly into the vac Lock tightly (see image 3).
4. Switch the pump ON.

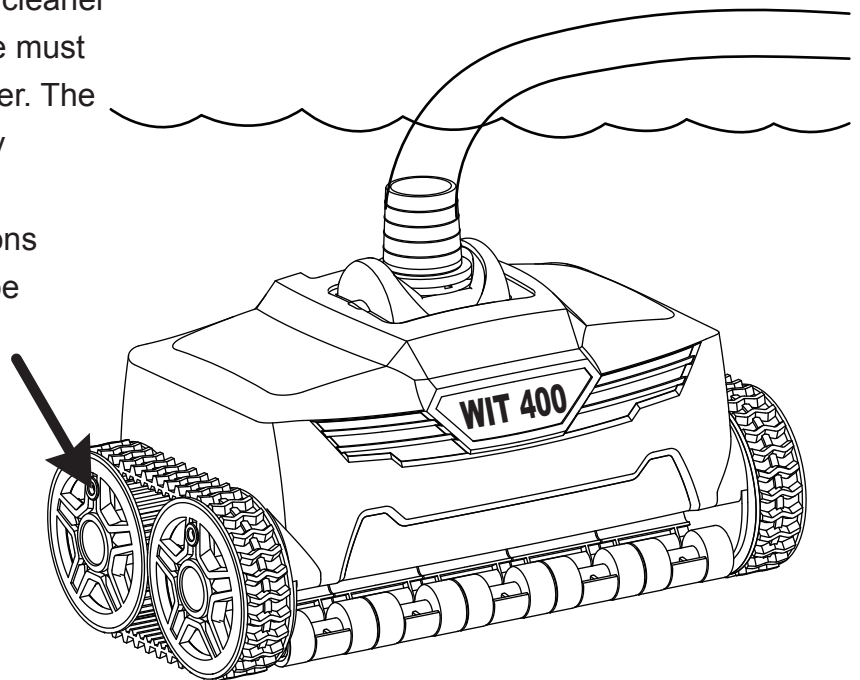


STEP 6: Adjusting the cleaner working .

In order to ensure the service life of the cleaner and achieve the best cleaning effect, we must control the water flow through the cleaner. The flow through the cleaner is measured by counting the RPM of the wheel.

For best results, the number of revolutions per minute (RPM) of the wheel should be between 30 and 32.

When the cleaner is running, hold the bellows and lift it up, keeping the cleaner in the water. (keep the cleaner below the water level, or it will breathe air, now marked by the ring on the right wheel.). Calculate the RPM of the front right wheel. If the number of revolutions is between 30 and 32, that's fine.

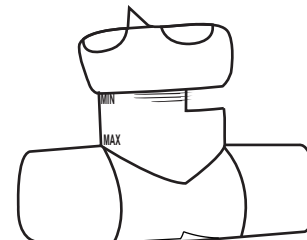
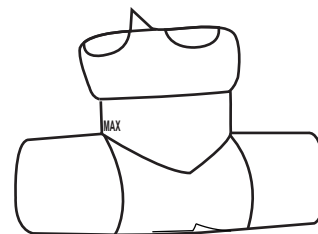
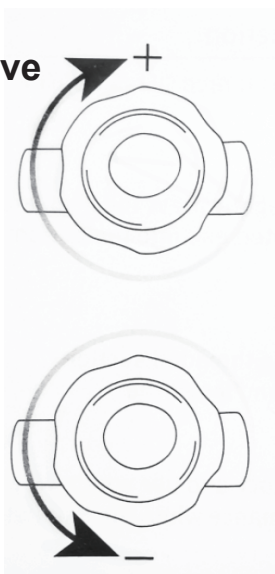


If your cleaner speed is not in this range, there are two ways to adjust it.

1. Adjusting the Adjustable Regulator valve If the count is:

RMP < 30 → Increase Flow (+)

RMP > 32 → Increase Flow (-)



2. Adjusting suction flow:

Adjust the amount of flow from the suction line/skimmer line to obtain the proper flow.

Daily Maintenance

WARNING!

To avoid serious injury, make sure that the cleaner is disconnected from the bellows and turn off the water pump before starting operation.

The cleaning capacity of the cleaner depends on the shape of the pool and the amount of water available. If the cleaner does not climb up your pool wall, check the wheel speed to make sure the flow is correct. At the same time, make sure that the pool surface is not covered with algae, as a smooth surface can affect the grip of the cleaner.

Empty the pump basket:

In order to operate the cleaner with the best efficiency, empty the pump basket regularly. The more debris there is in the pool, the more often the basket is cleaned.

Backwash the pool filter:

Disconnect the cleaner from the water circulation system before backwashing the filter. After cleaning or backwashing, allow the filtration system to run at least 5 minutes to flush out dirt, and then reconnect the washer.

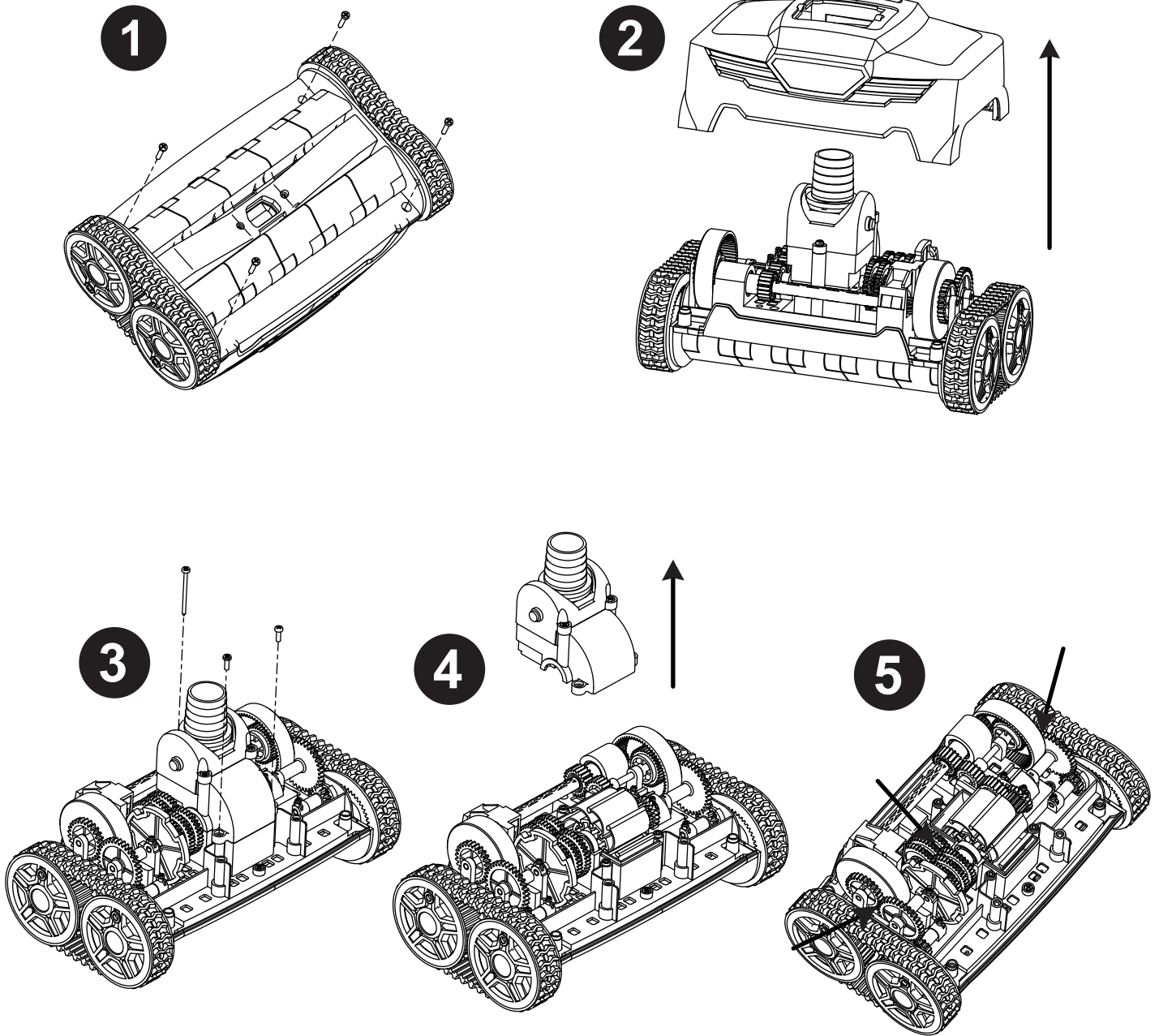
Add chemicals to the pool:

When adding chemicals, it will take at least 4 hours before use the cleaner.

Storage and winterizing:

Do not store the cleaner under sunlight. When storing in winter, drain out all water (frozen damage is not covered by warranty). When temperate storage, do not roll up the hoses, otherwise, it will affect with cleaner working performance. The hoses need to be flat lying.

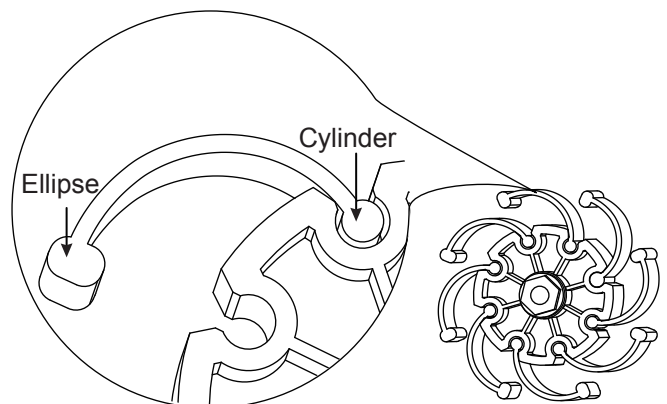
Remove Debris



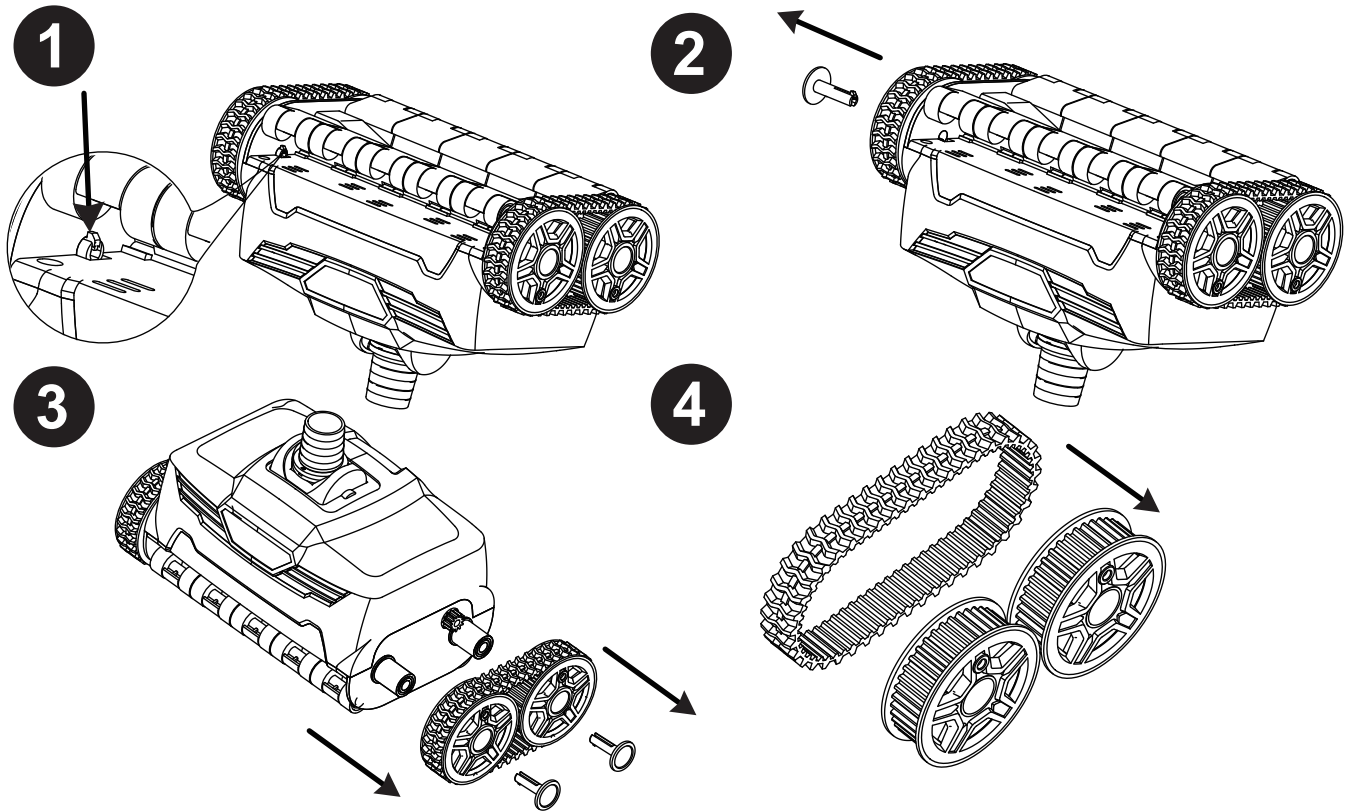
Turbine blade replacement

The turbine blades must be placed in one direction of the turbine hub (as shown in the right figure) .

Note: the cylindrical end of the blade is placed in the groove of the hub.



Disassemble or replace the wheels / tracks



Troubleshooting:

If you have problems with your cleaner, follow the troubleshooting steps below to restore performance.

Note: turn off the filter pump before making any repairs.

Problem	Solution
Cleaner doesn't move or moves too slow	<ul style="list-style-type: none"> ● Check wheel RPM. Please refer to " adjusting the cleaner " in the user manual . ● There is blockage inside the cleaner product, remove the internal blockage. ● The water pump is off or running slowly. Restart or replace the water pump. ● Check whether there is air in the pump circulating system. If the water level in the water pump basket drops, or too many bubbles are seen in the pump basket, or air is emitted from the return pipe, there is air in the circulation. Check the hoses connections and tighten all connections on the pump. And check whether the O-ring on the water pump basket is worn. ● Filter for backwash filter unit and water pump. ● The internal turbine blades of the cleaner are installed incorrectly. Refer to " Turbine blade replacement" in the user manual. ● Internal drive mechanism blockage. Refer to " Remove Debris" in the user manual . ● The track is too loose. It falls off the wheel. Track replacement. ● There are other obstacles to the cleaner itself. Please contact your local dealer.

When you rotate the right wheel forward by hand, the right wheel will teeth jump	<ul style="list-style-type: none"> ● Hub or right drive gear is worn out. Please contact your local dealer.
The cleaner turns in circles, it won't go straight at all.	<ul style="list-style-type: none"> ● The internal drive is damaged. Please contact your local dealer.
The area of cleaning pool with cleaner is small.	<ul style="list-style-type: none"> ● Make sure that the hose is not bent or coiled. ● The hose is too short. Please refer to "connecting the hose " in the user manual. ● The hose weight may be in the wrong position. Refer to "connecting the hose" in the user manual. It should be 2 / 3 of the single pipe from the cleaning head. ● The rotating joint of hose connection (on the turbine top) may be dirty, which may cause the rotation to be stuck, and the dirt needs to be removed. ● The return water may push the hose away, so that the return water direction is downward. ● Check wheel RPM. Please refer to " adjusting the cleaner " in the user manual Device speed. ● Observe the cleaner for more than 5 minutes, make sure that the cleaner has 3 steering angles of different sizes, about (180 ° , 270 ° and 450 °), if not, contact your local dealer.
The cleaner climbs the wall too much or climbs out.	<ul style="list-style-type: none"> ● Excessive suction or flow. Check the rotation speed of the wheel, Please refer to " adjusting the cleaner " in the user manual . ● Do not use the bypass Valve (if connected with wall skimmer). ● Adjust the wall skimmer plate.
The cleaner won't climb the wall.	<ul style="list-style-type: none"> ● Check wheel RPM. Please refer to " adjusting the cleaner " in the user manual . ● The hose weight may be in the wrong position. Refer to "connecting the hose" in the user manual. It should be 2 / 3 of the single pipe from the cleaning head. ● The track is too loose. It falls off the wheel. Track replacement. ● The swing of the skirt is not flexible. During operation, some end skirts do not stick to the surface of the pool. Swing the inactive group of skirts back and forth by hand to make it freely ; Or, contact the local supplier.
Wheels Swaying .	<ul style="list-style-type: none"> ● The button of the wheel is not in place. Please refer to " Wheel or track folding and replacement " in the user manual. ● The wheels are worn, please replace them. Please refer to " Wheel or track folding and replacement" in the user manual.
The cleaner falls upside down, and no back.	<ul style="list-style-type: none"> ● The hose weight may be in the wrong position. Refer to "connecting the hose" in the user manual. It should be 2 / 3 of the single pipe from the cleaning head. ● The hose is too short. Please refer to "connecting the hose " in the user manual. ● The return water may push the hose away, so that the return water direction is downward.
The turbine blades fall off the hub.	<ul style="list-style-type: none"> ● The turbine hub may be worn. Please contact your local dealer. ● Turbine blades may be worn. Please contact your local dealer.