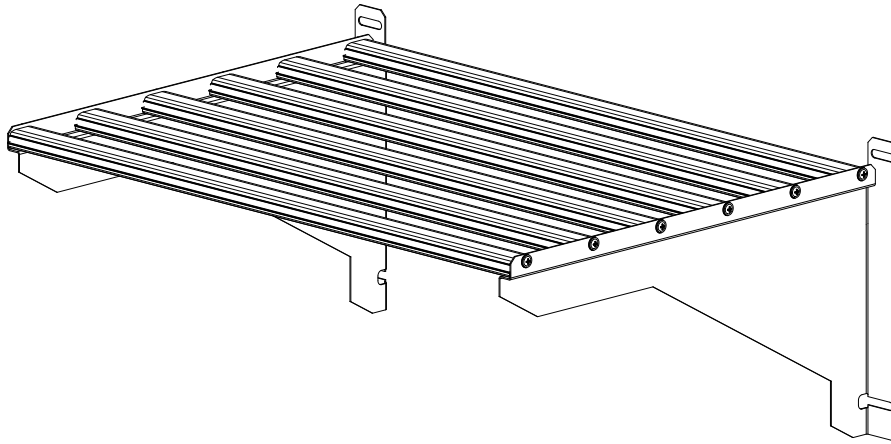




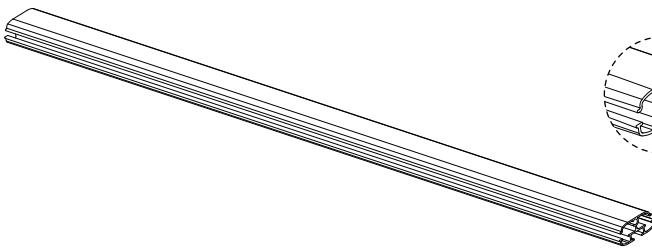
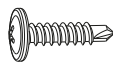
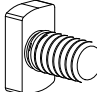
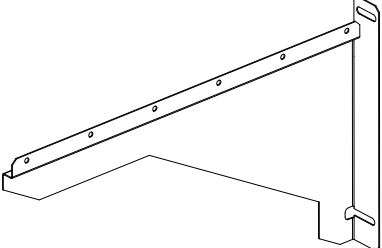

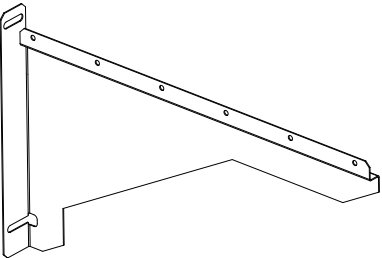
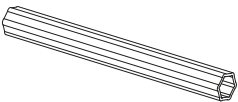
Assembly Instructions

Heavy Duty Shelf Kit



www.palramapplications.com

Contents

Item	Qty.	Item	Qty.
7048	6	4008	12 (+1)
			
		461	4 (+1)
			
7046	1	466	4 (+1)
			
7047	1	T001	1
			
		70	3
		