

Contents

Item	Inc./cm	Qty.
962	86 ¹ / ₄ / 219	2
961	66 ³ / ₄ / 170	4
972	70 ¹ / ₂ / 179	4
973	70 ¹ / ₂ / 179	2
287	70 / 178	1
996	46 / 117	8

Item	Inc./cm	Qty.
994	67 / 170	1
995	67 / 170	1
987	65 / 165	1
988	65 / 165	1
985	64 / 163	2
966	1570mm	2

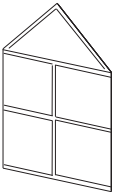
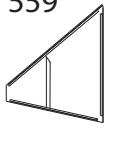
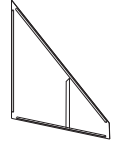
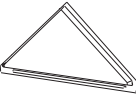
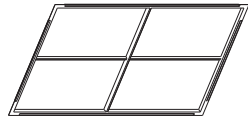
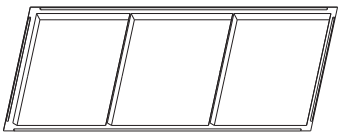
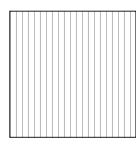
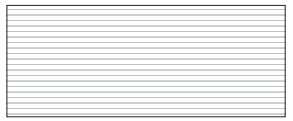
Contents

Item	Inc./cm	Qty.
256	50 ³ / ₄ / 129	8

993	46 / 117	20
-----	----------	----

126	118 / 300	2
-----	-----------	---

3017	22 ³ / ₄ / 53	4
3016	64 / 163	1

Item	Qty.
553 	1
559  560 	2
570 	1
567 	2
7011 	17
586 	4
581 	10

Item	Inc./cm	Qty.
989	24 ¹ / ₄ / 61.5	2

991	24 ¹ / ₄ / 61.5	2
-----	---------------------------------------	---

992	22 ³ / ₄ / 58	4
-----	-------------------------------------	---

984	21 ¹ / ₂ / 55	2
-----	-------------------------------------	---

981	22 / 56	12
-----	---------	----

06		1
----	--	---

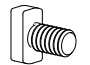
Item	Inc./cm	Qty.
286	24 / 60	2

999	22 / 56	5
-----	---------	---



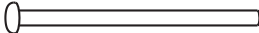

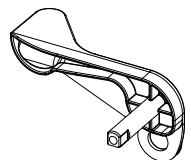

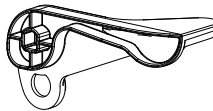


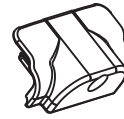
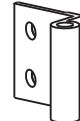
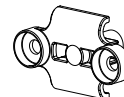

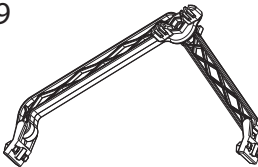

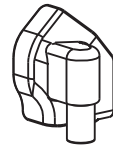
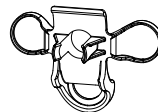
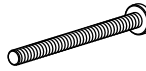
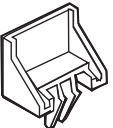


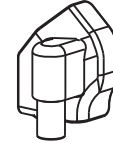


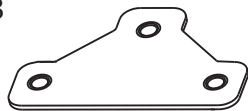
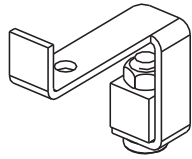
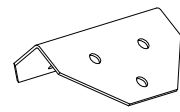
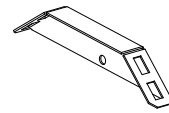
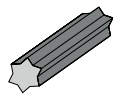


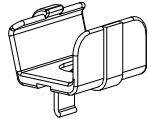


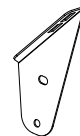
986	24 ³ / ₄ / 63	1
-----	-------------------------------------	---

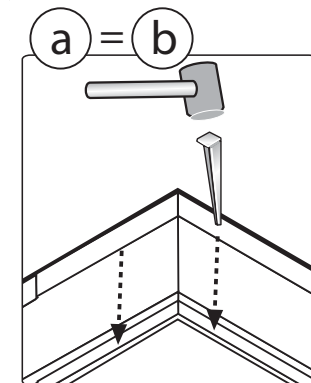
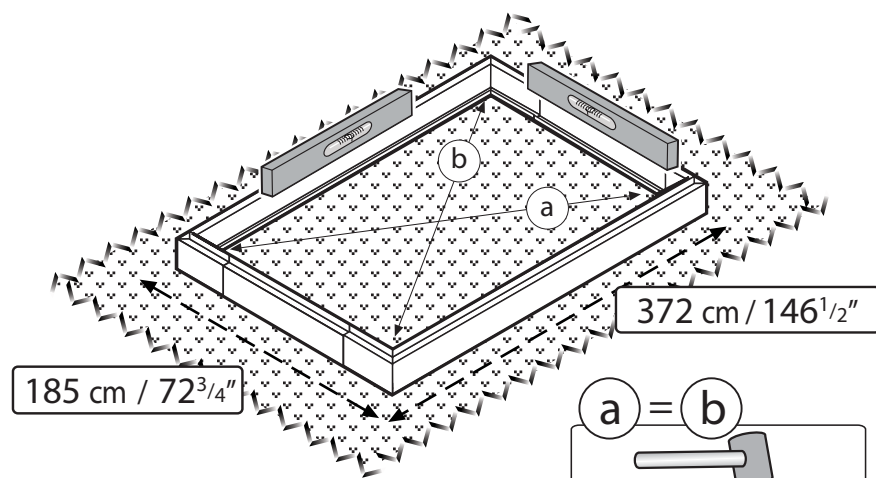
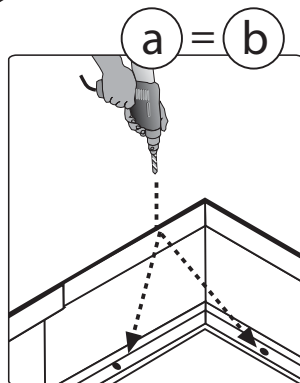
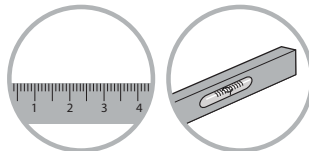
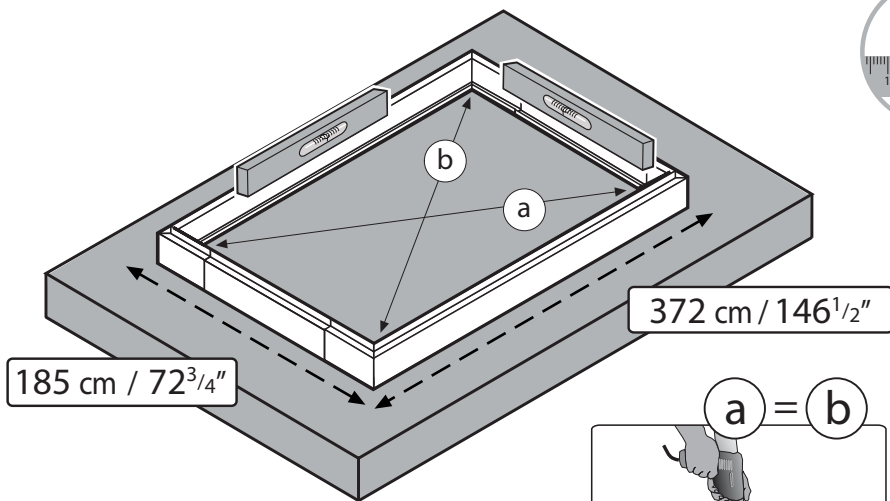
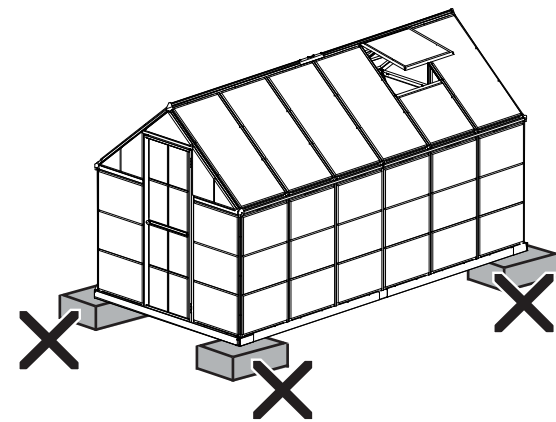
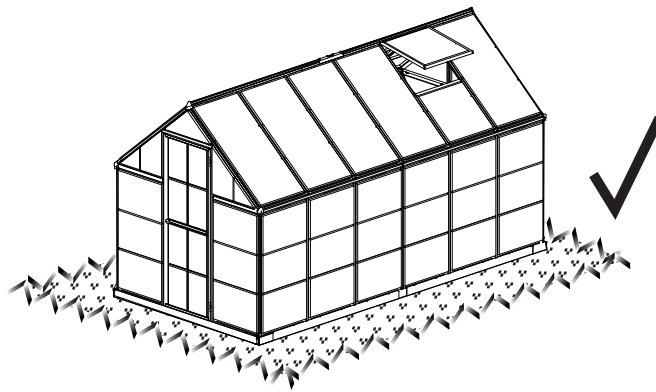
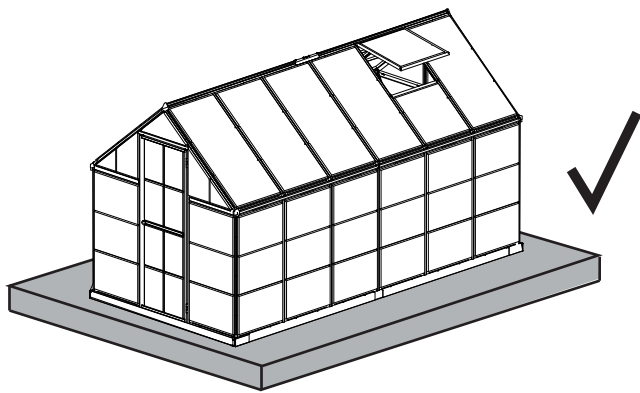
983	18 ¹ / ₂ / 47	1
-----	-------------------------------------	---

990	22 / 56	2
-----	---------	---

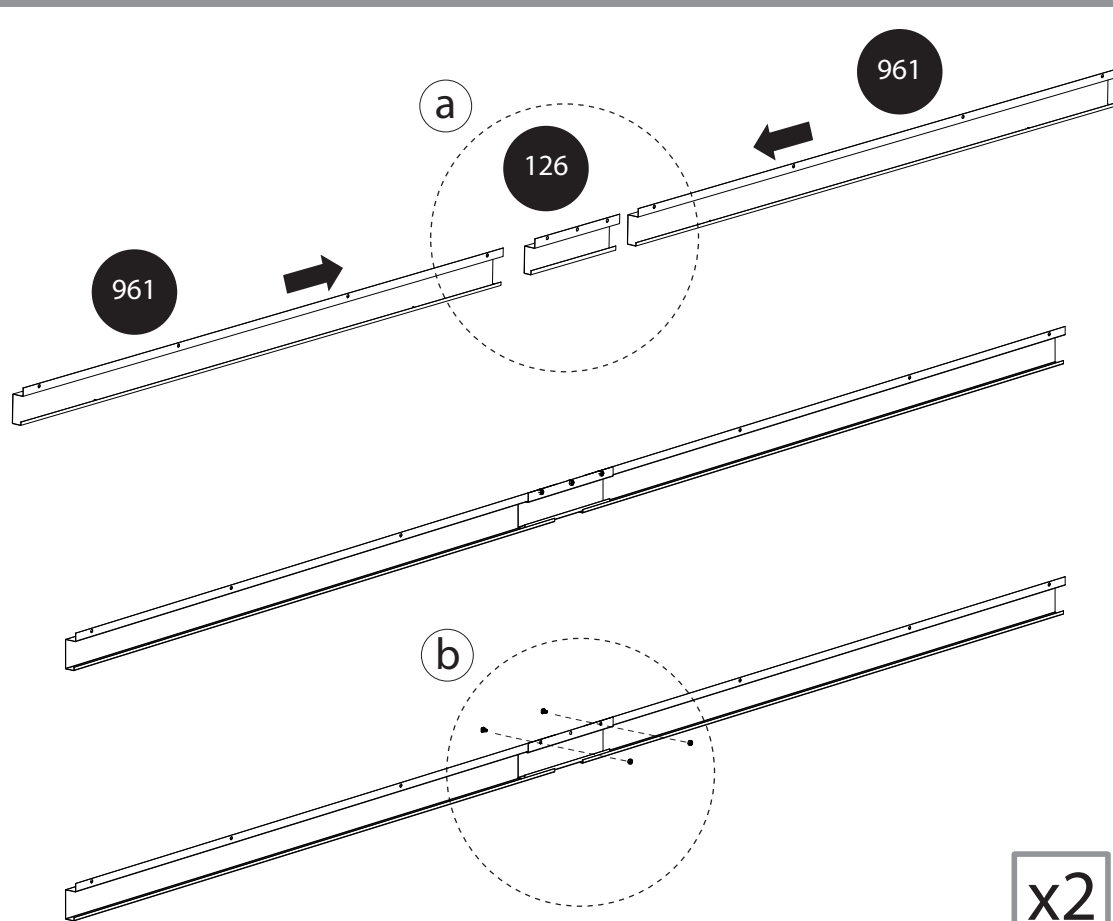
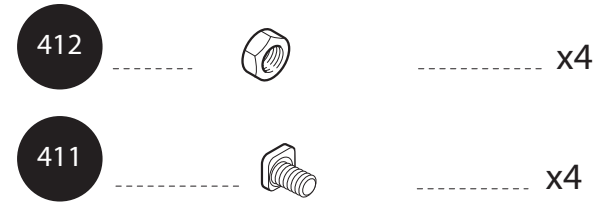
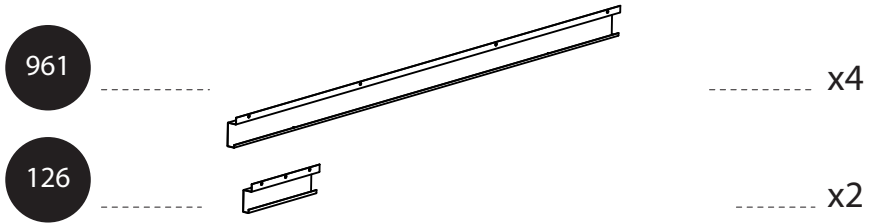
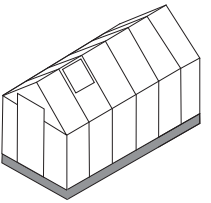
461 		13
	spare	1

Contents

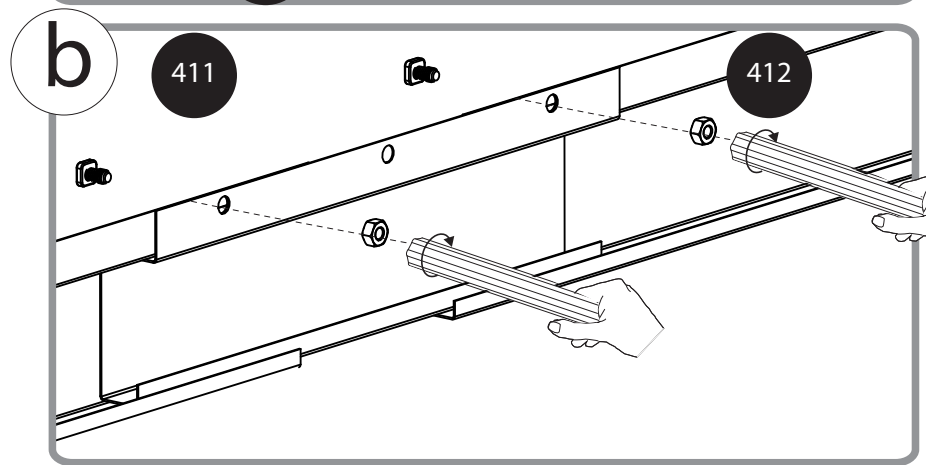
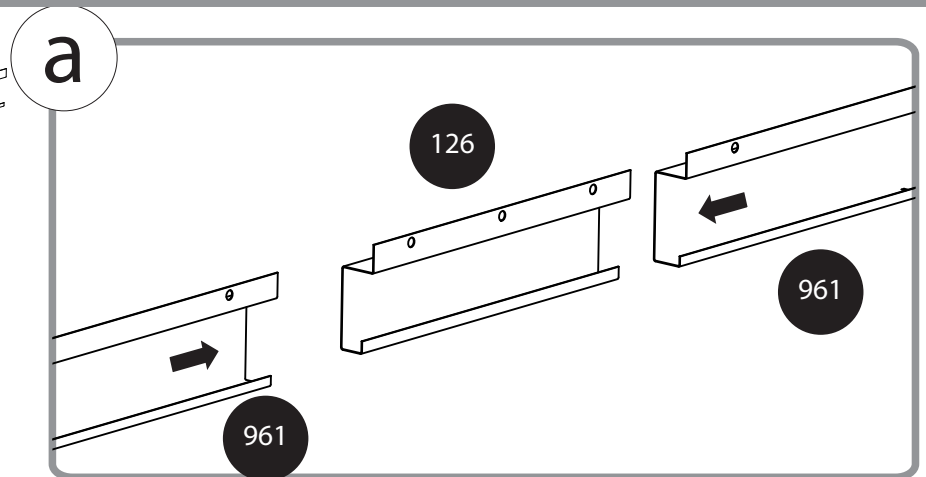
Item	Qty.	Item	Qty.	Item	Qty.	Item	Qty.	Item	Qty.
447	9	411	170	463	2	343	2	7083	1
	9		170		2		2		1
spare	1	spare	6	462	2			7084	1
4008	15	412	182		2	329	10		1
	15		182	464	4		10	7085	1
spare	1	spare	6		4				1
4043	13	99	2	465	9	344L	2	7086	1
	13		2		9		2		1
spare	3			spare	1			7088	1
328	35	22	4	422	9	344R	2		1
	35		4		9		2	M4 x 50mm	1
spare	1			spare	1				1
M96	6	288	5	4037	1	07	1	423	1
	6		5		1		1		1
								459	1
7009 (PVC)	5	T001	1	318 PVC	24	292	2	926	2
	5		1		24		2		2
spare	1				2			456	2
				spare	2	08	2		2

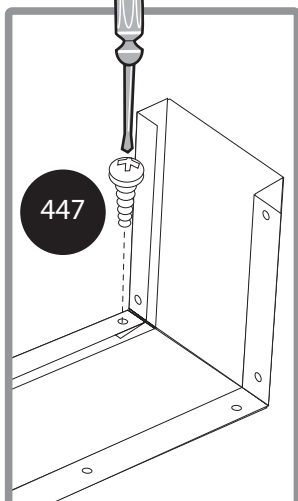
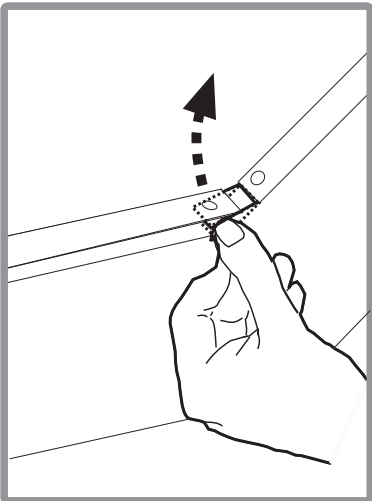
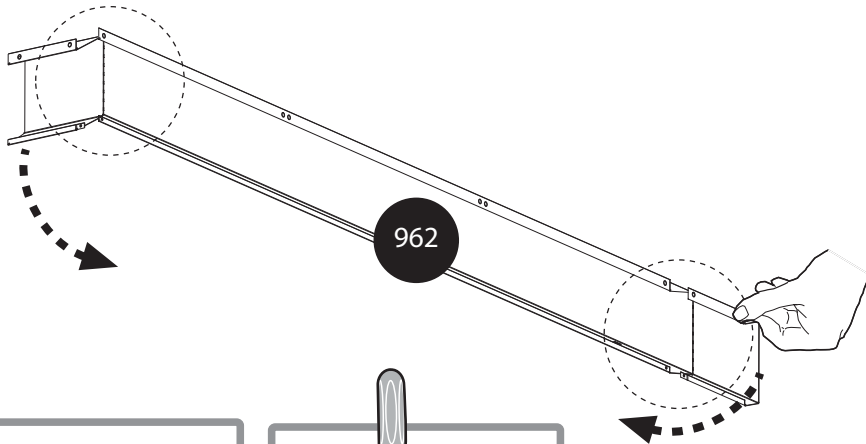
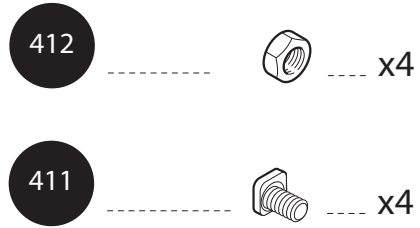
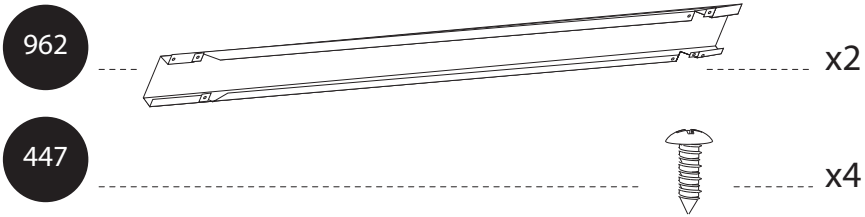
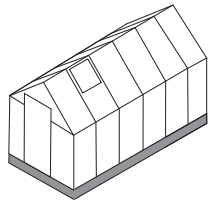


1

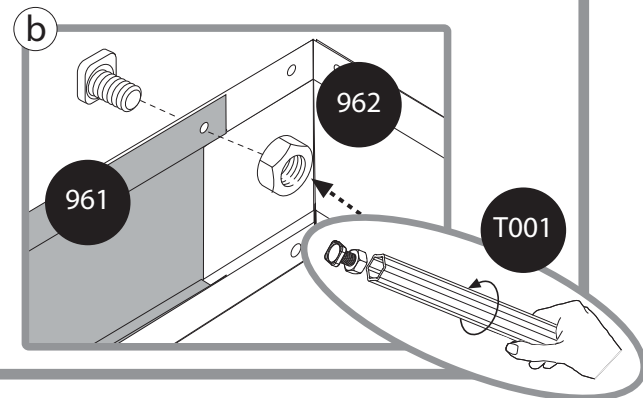
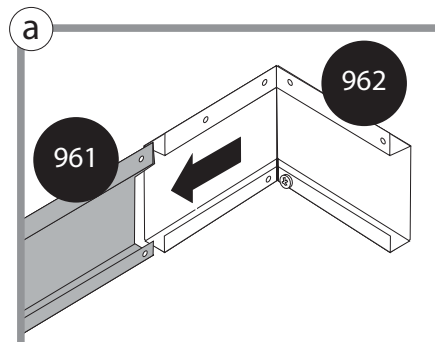
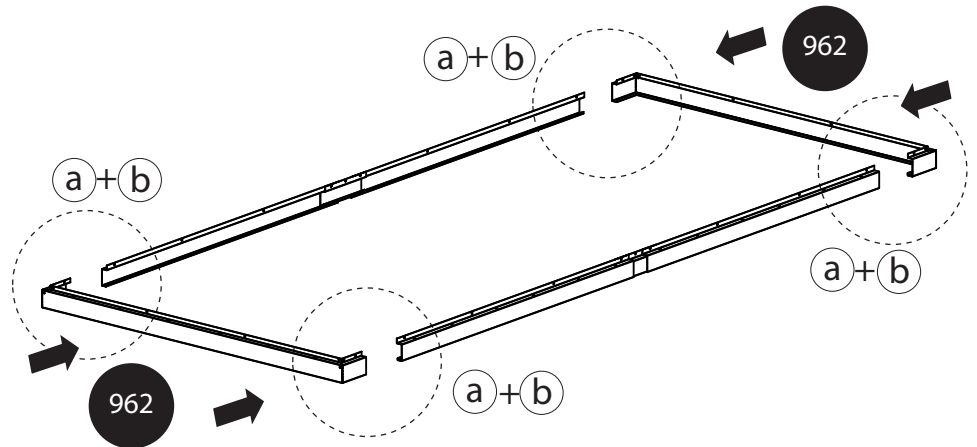


x2

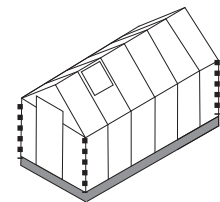




x2



3



996



x4

412

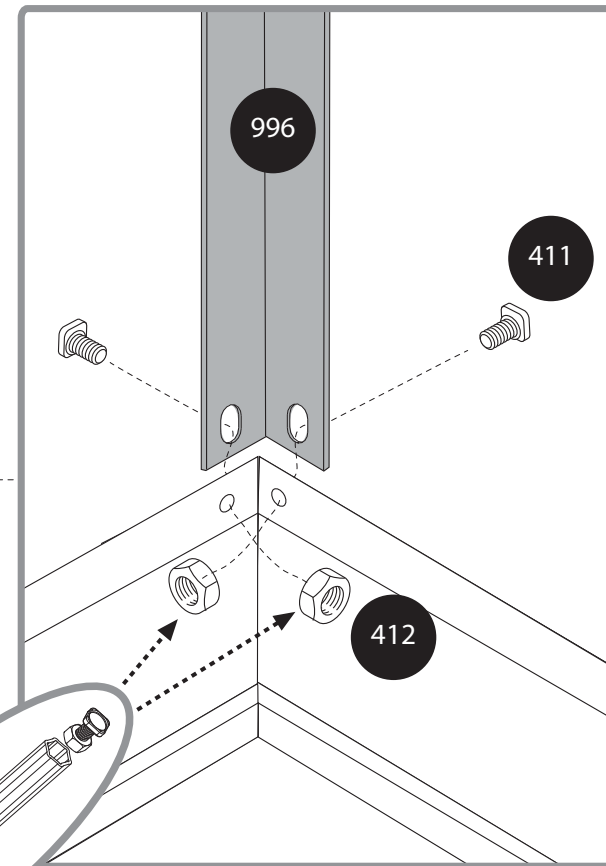
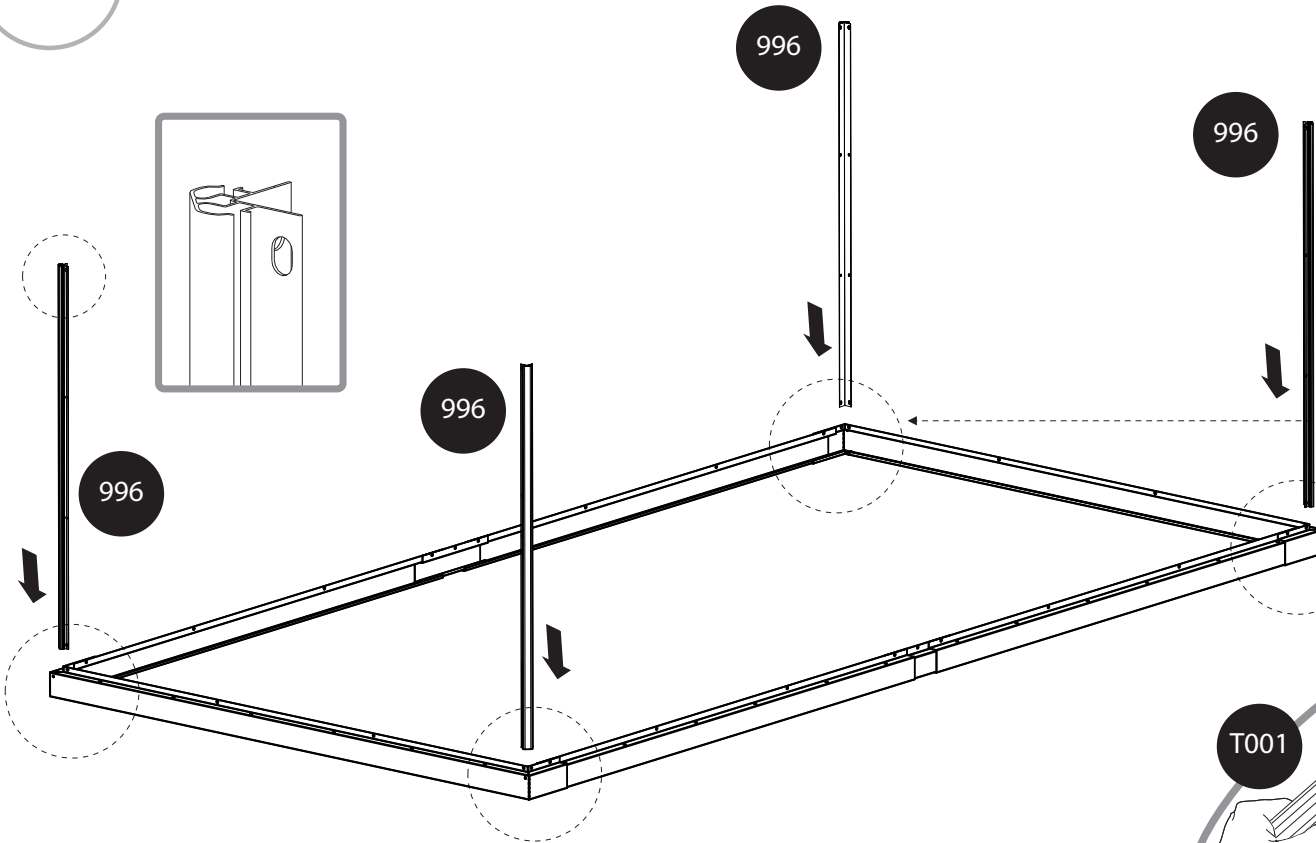
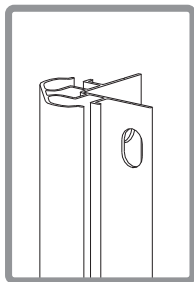
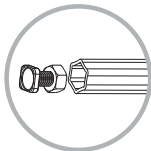


x8

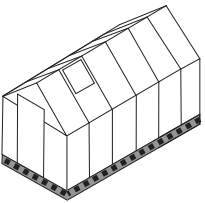
411



x8

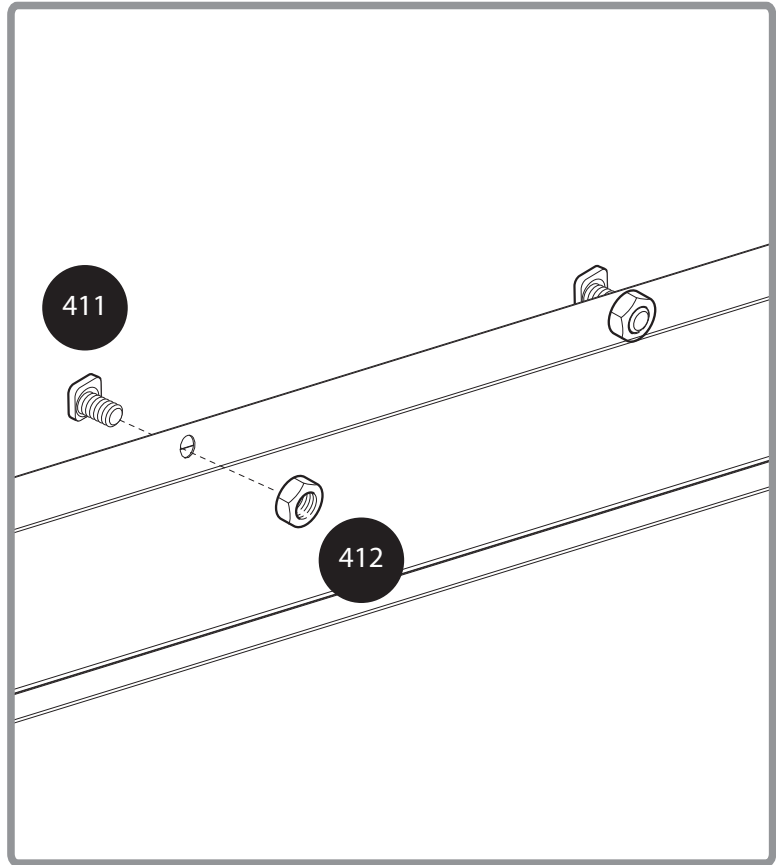
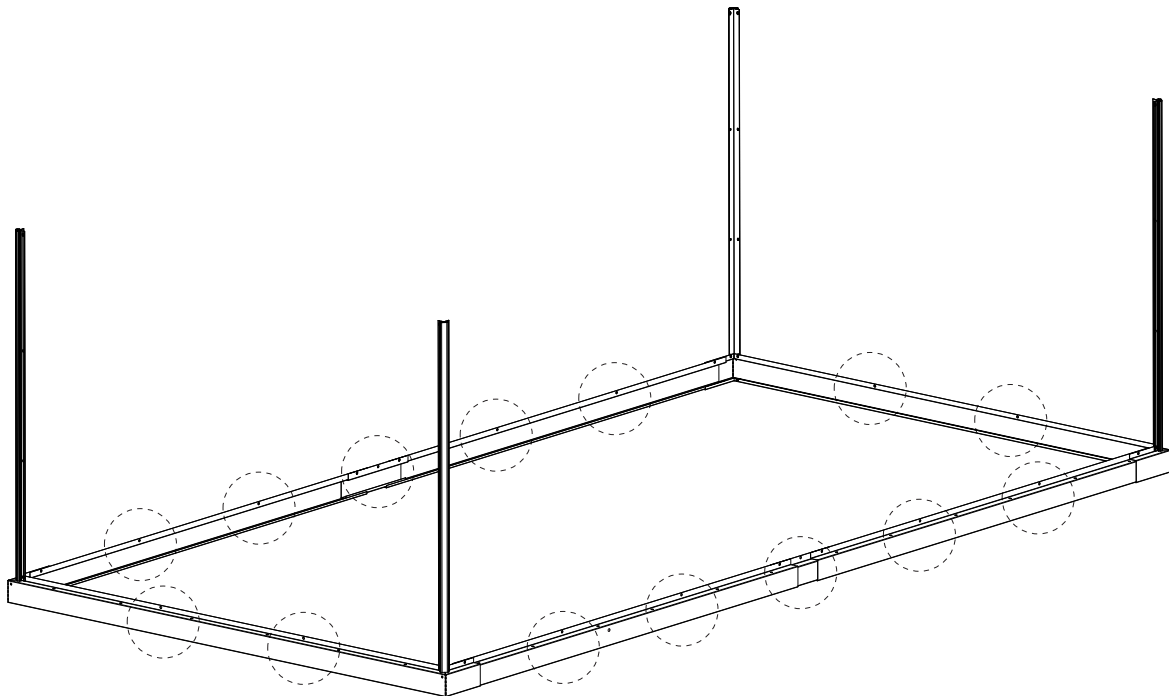


4

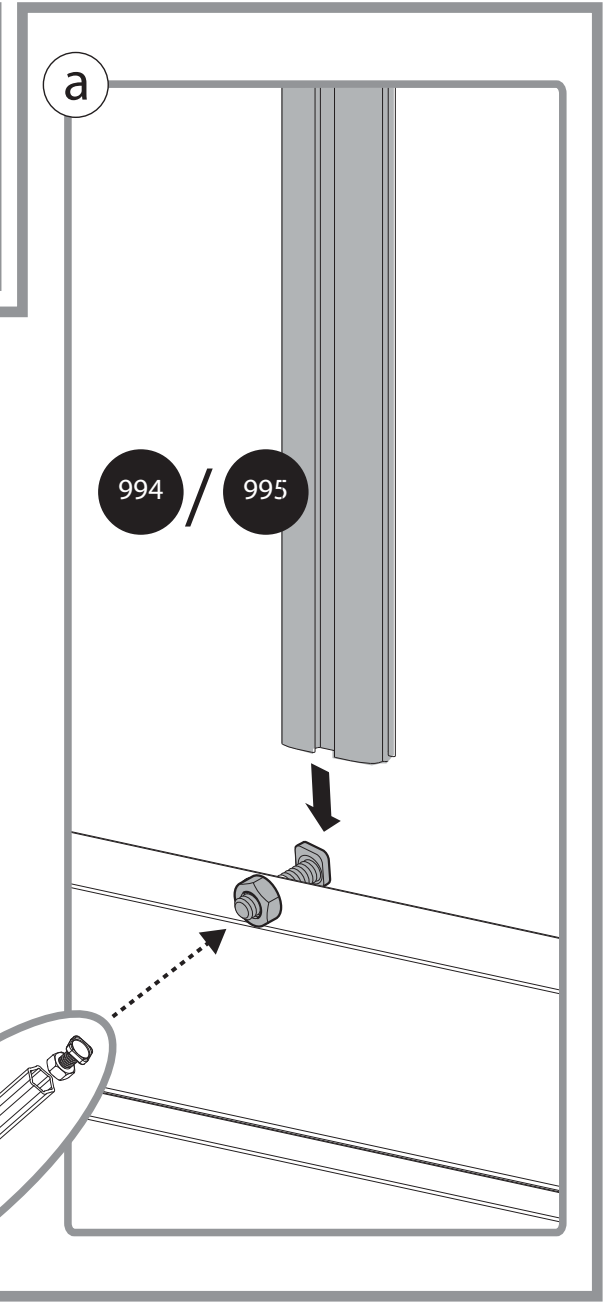
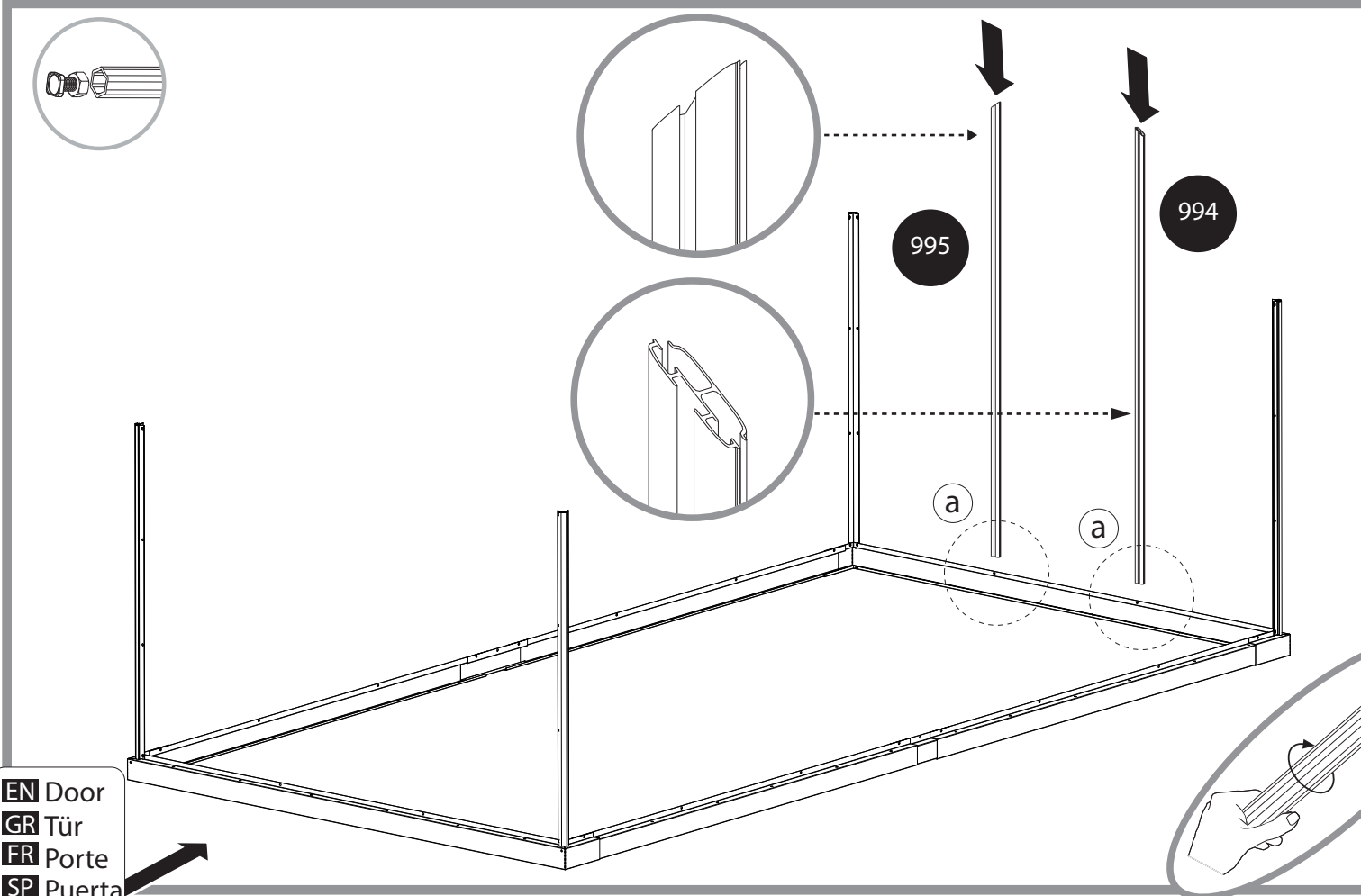
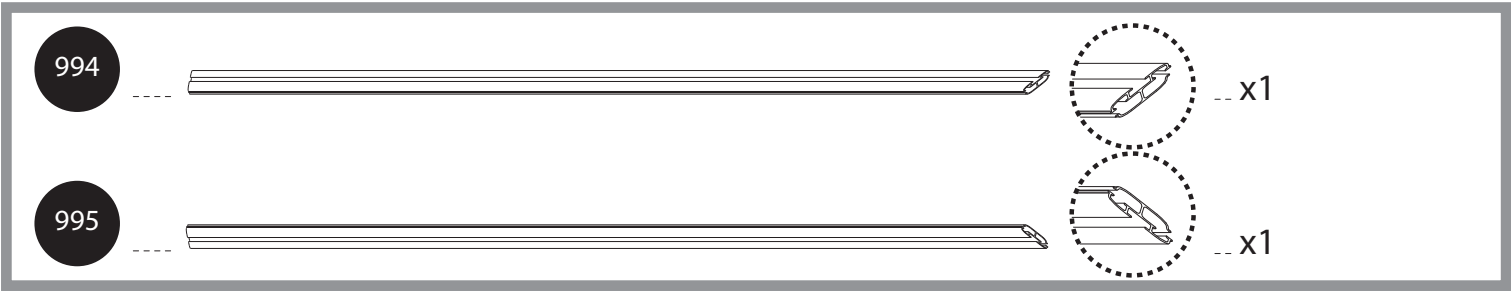
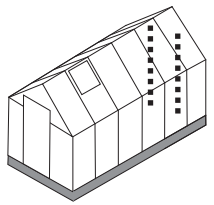


412  x147

411  x14

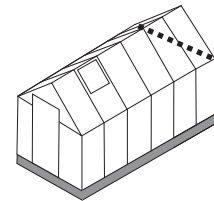


5



EN Door
GR Tür
FR Porte
SP Puerta

6



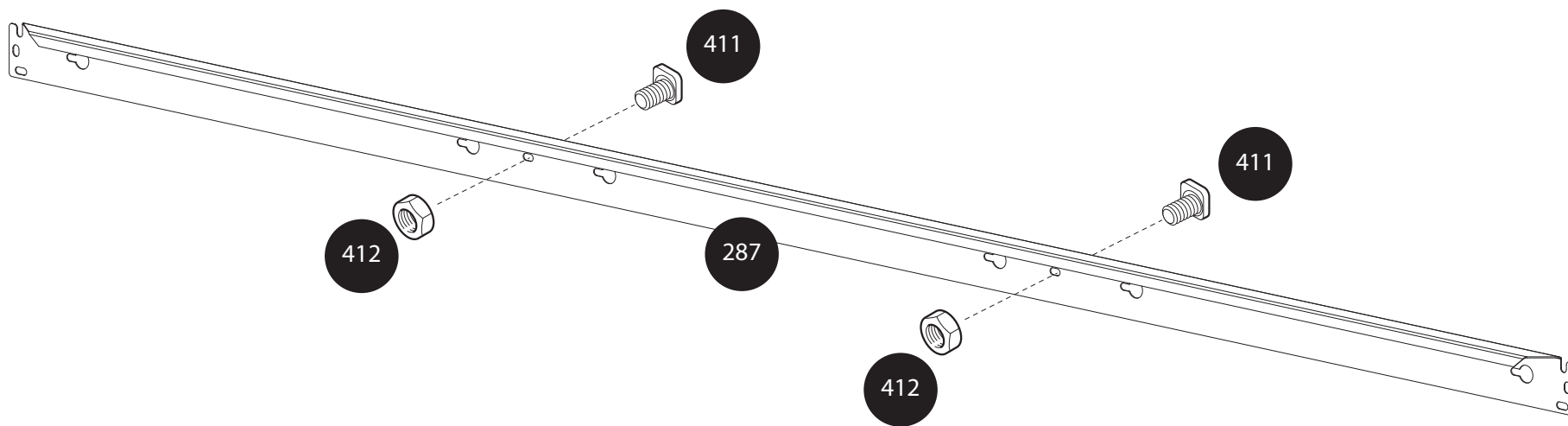
287









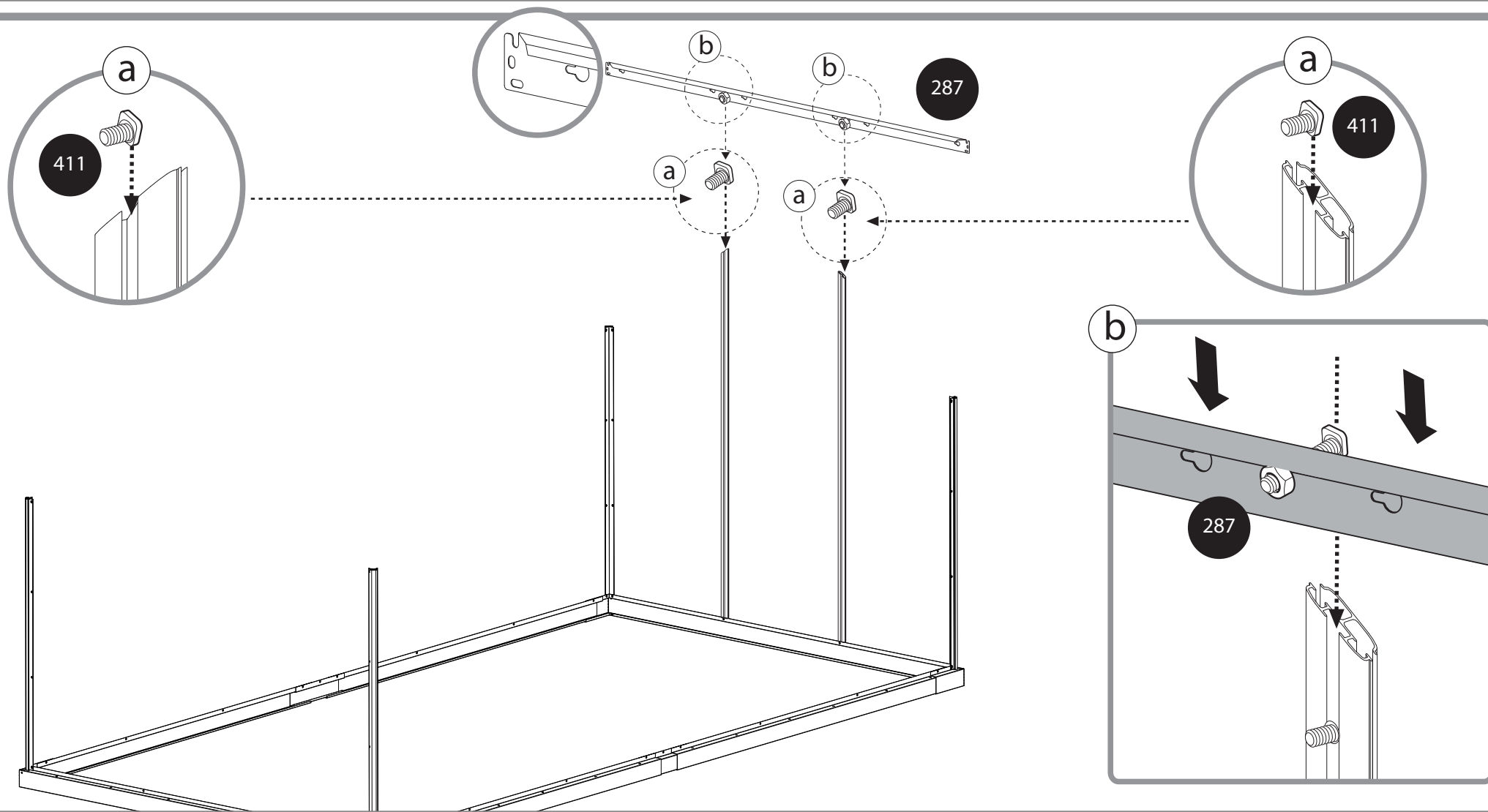
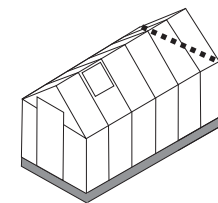
412

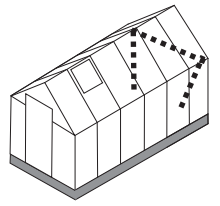


411



7     X  412  411

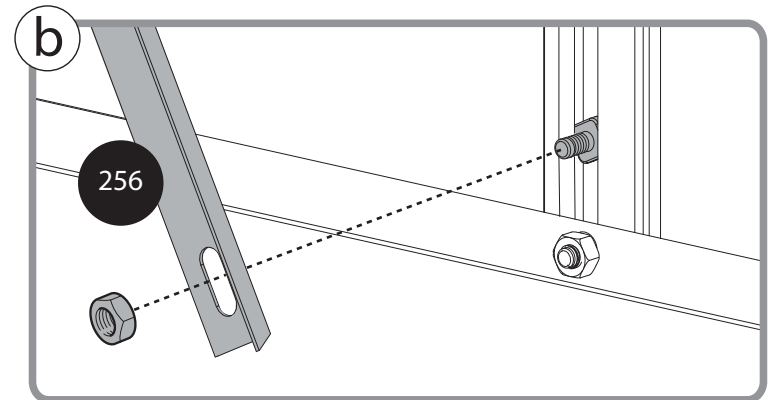
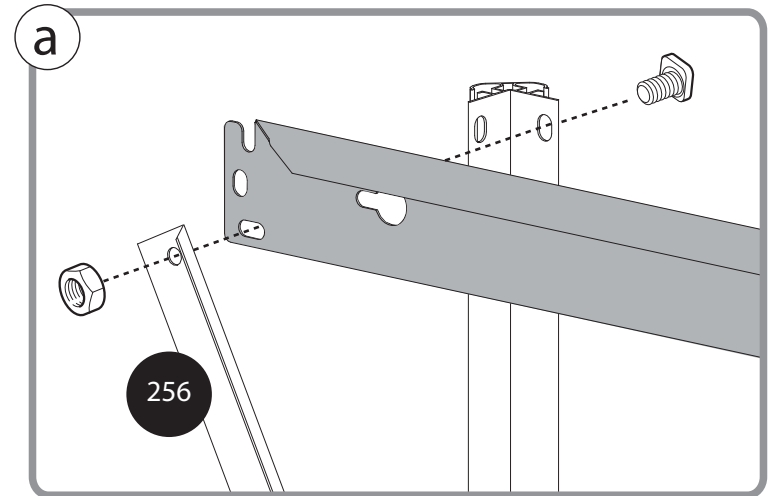
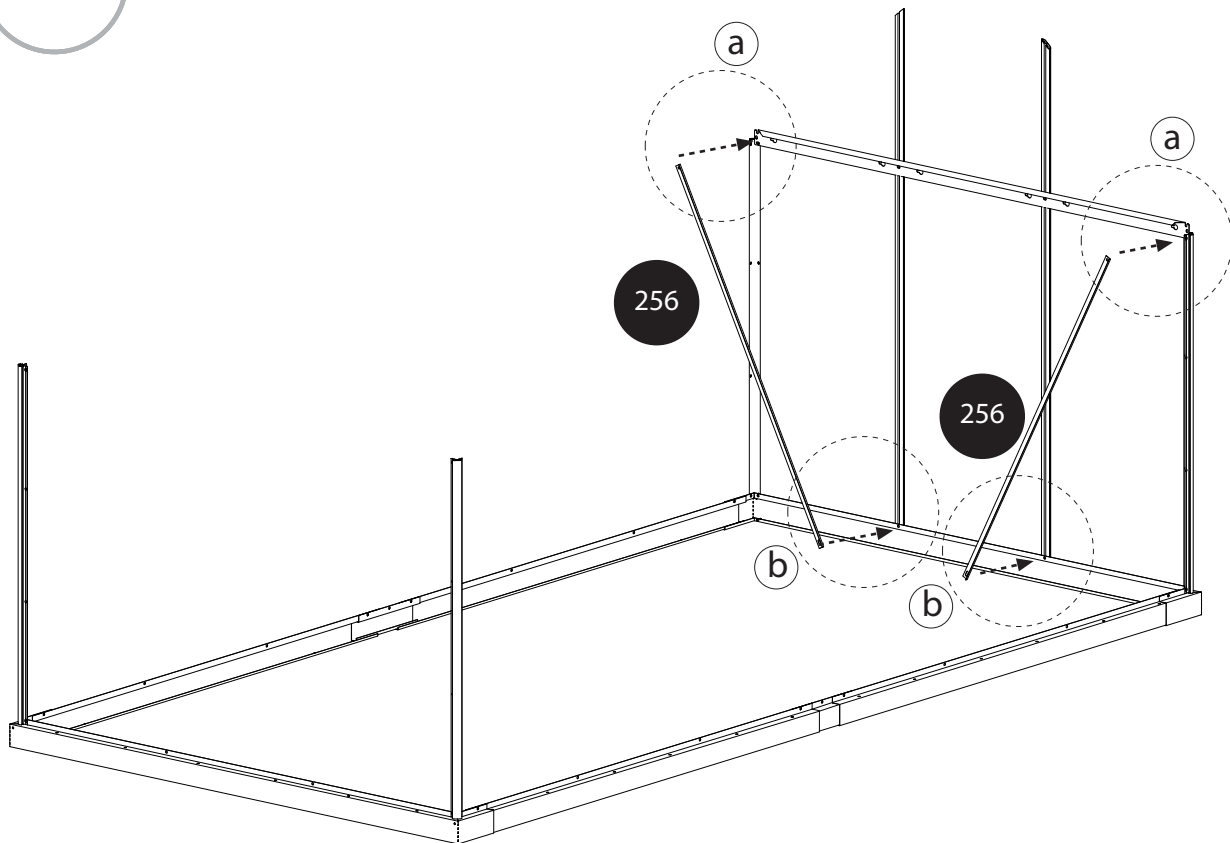
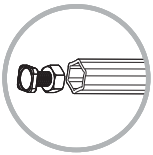


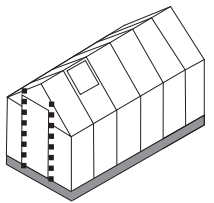


256x2

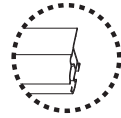
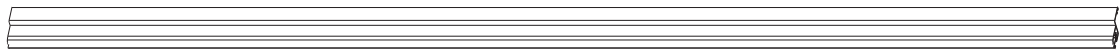
412x4

411x2



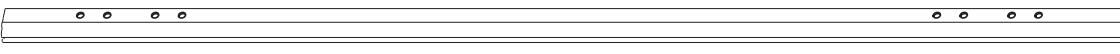


988

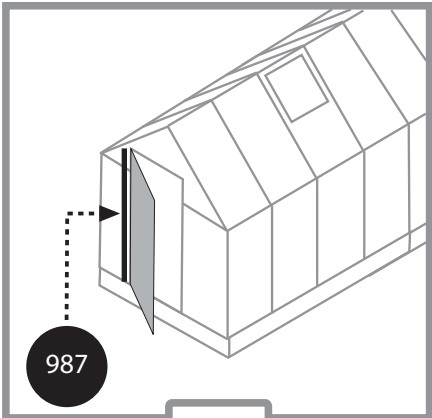


x1

987

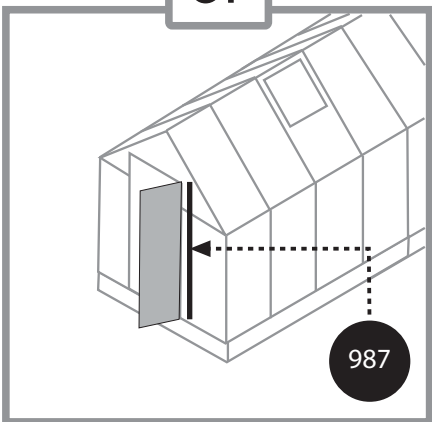


x1

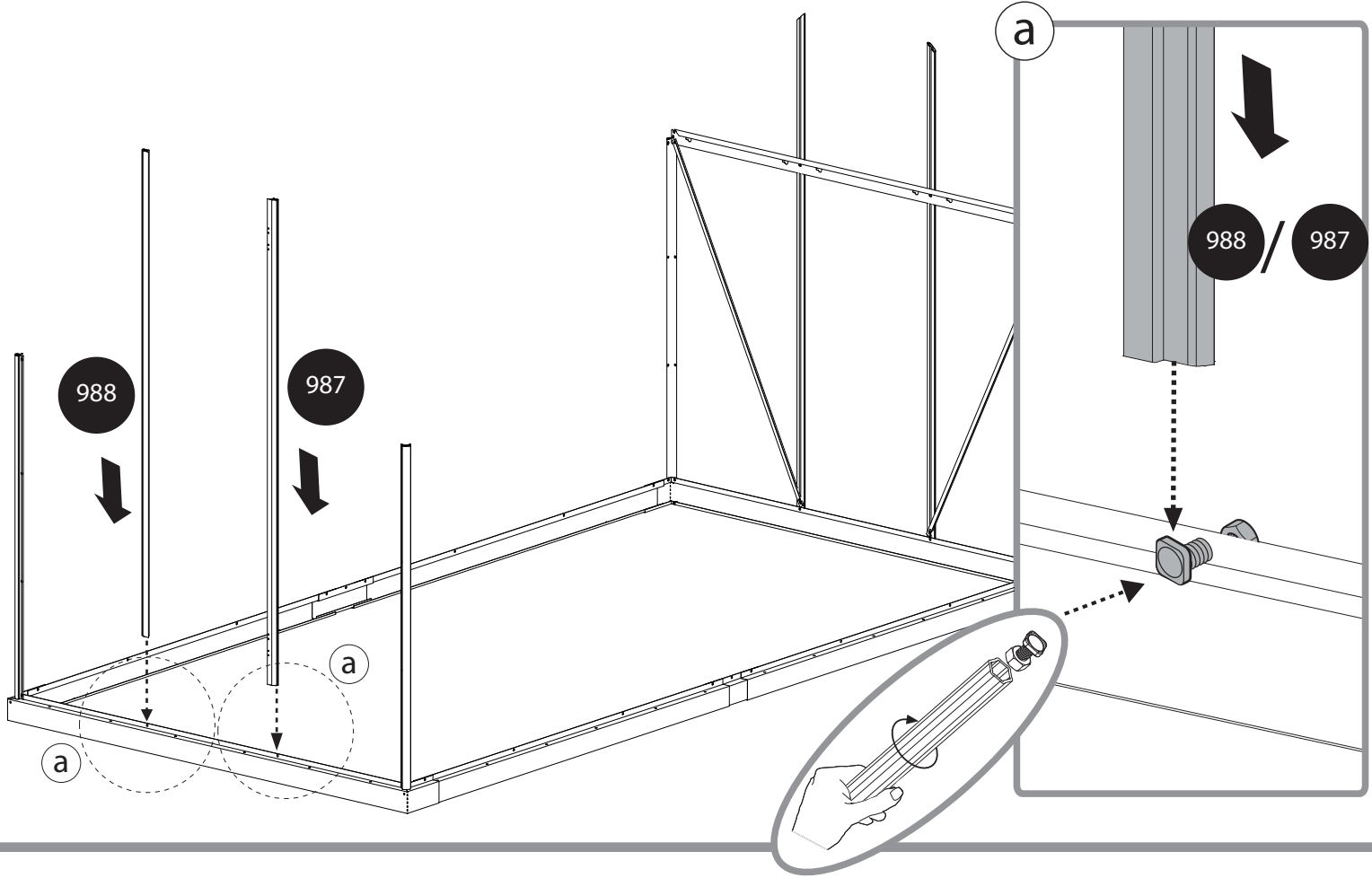


987

or



988



a

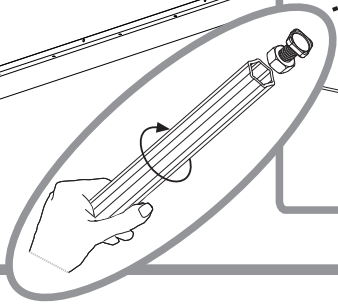
988 / 987

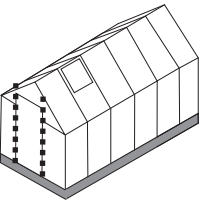
988

987

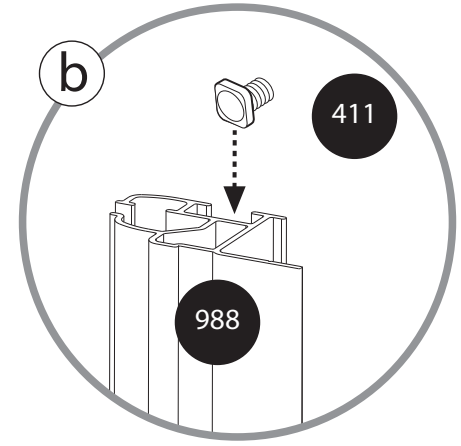
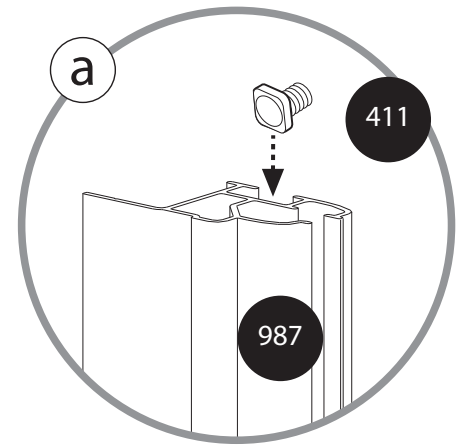
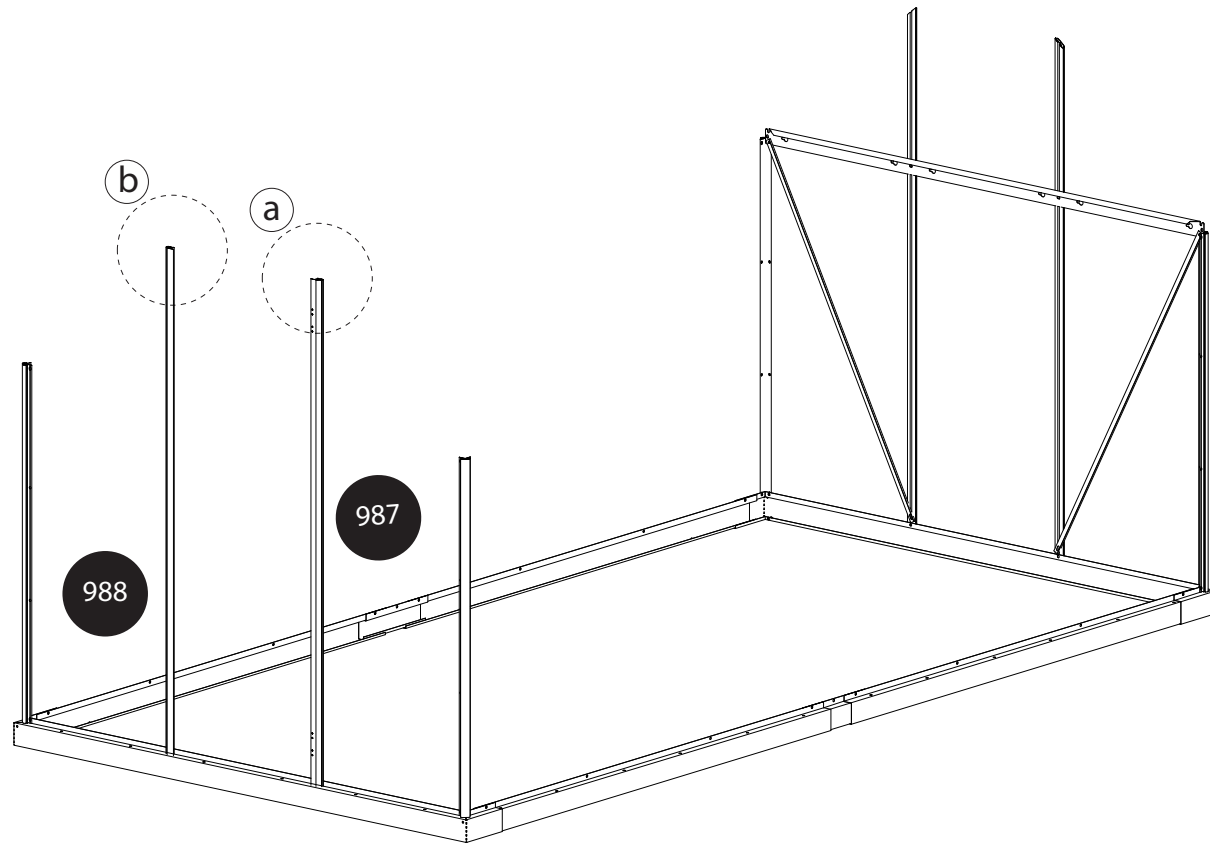
a

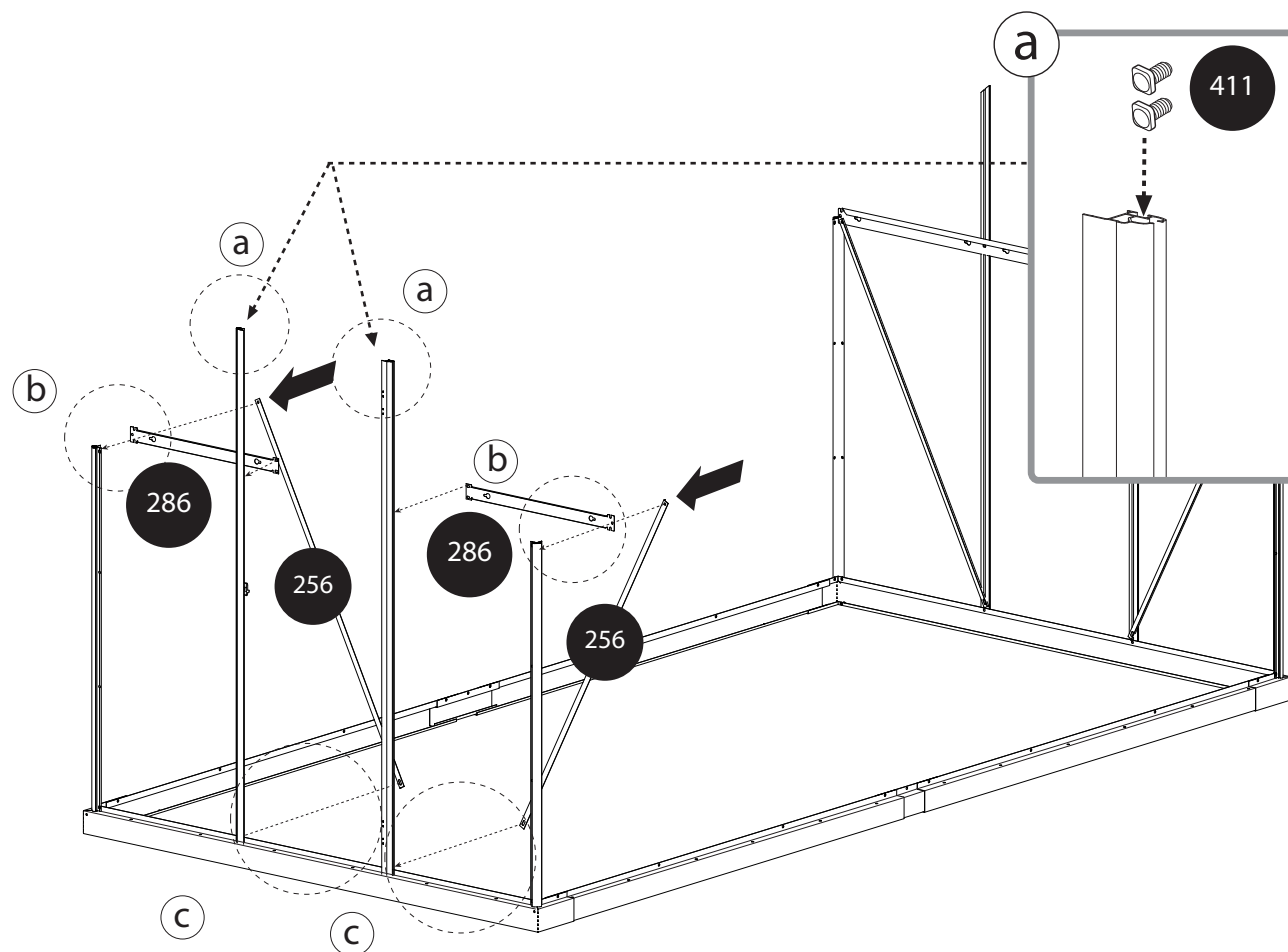
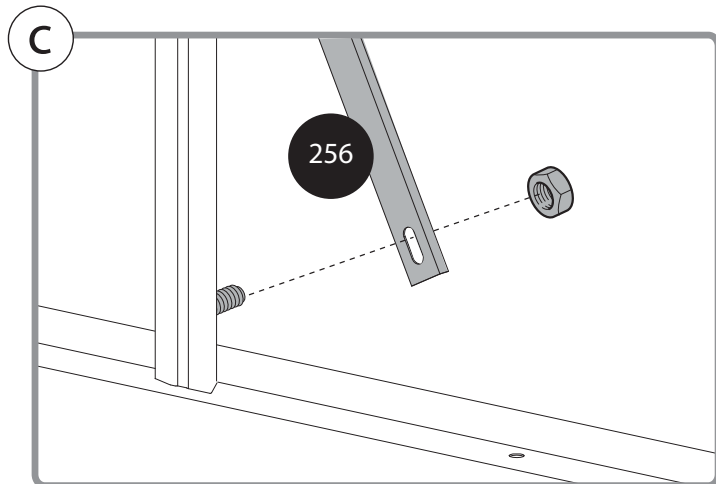
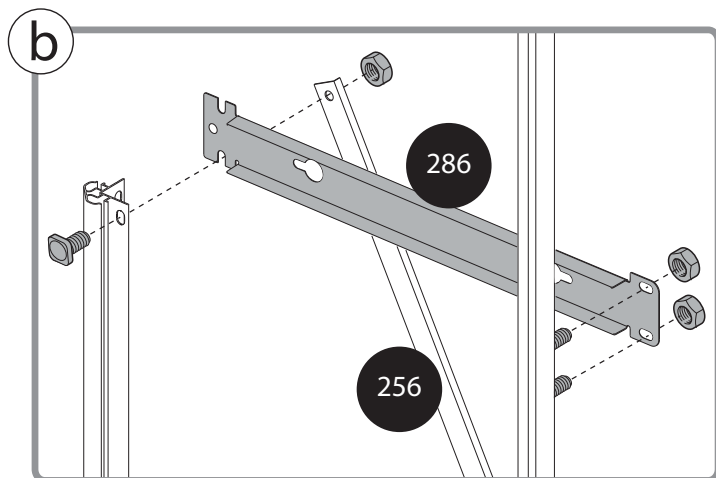
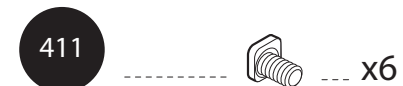
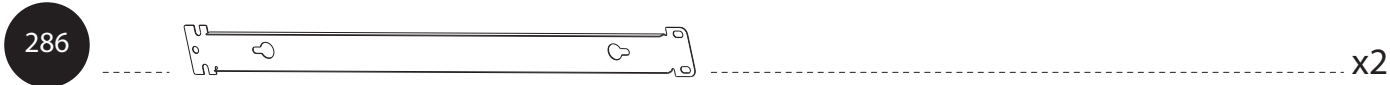
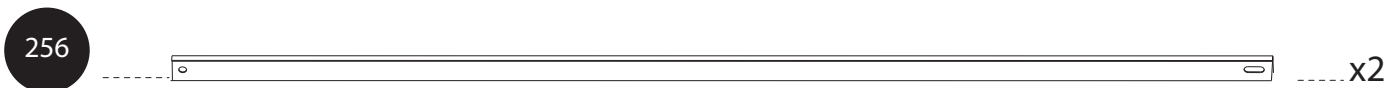
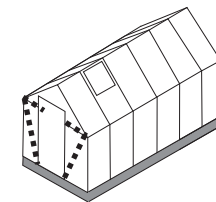
a

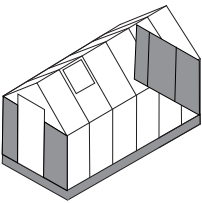




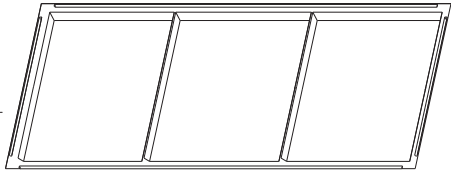
411  x2



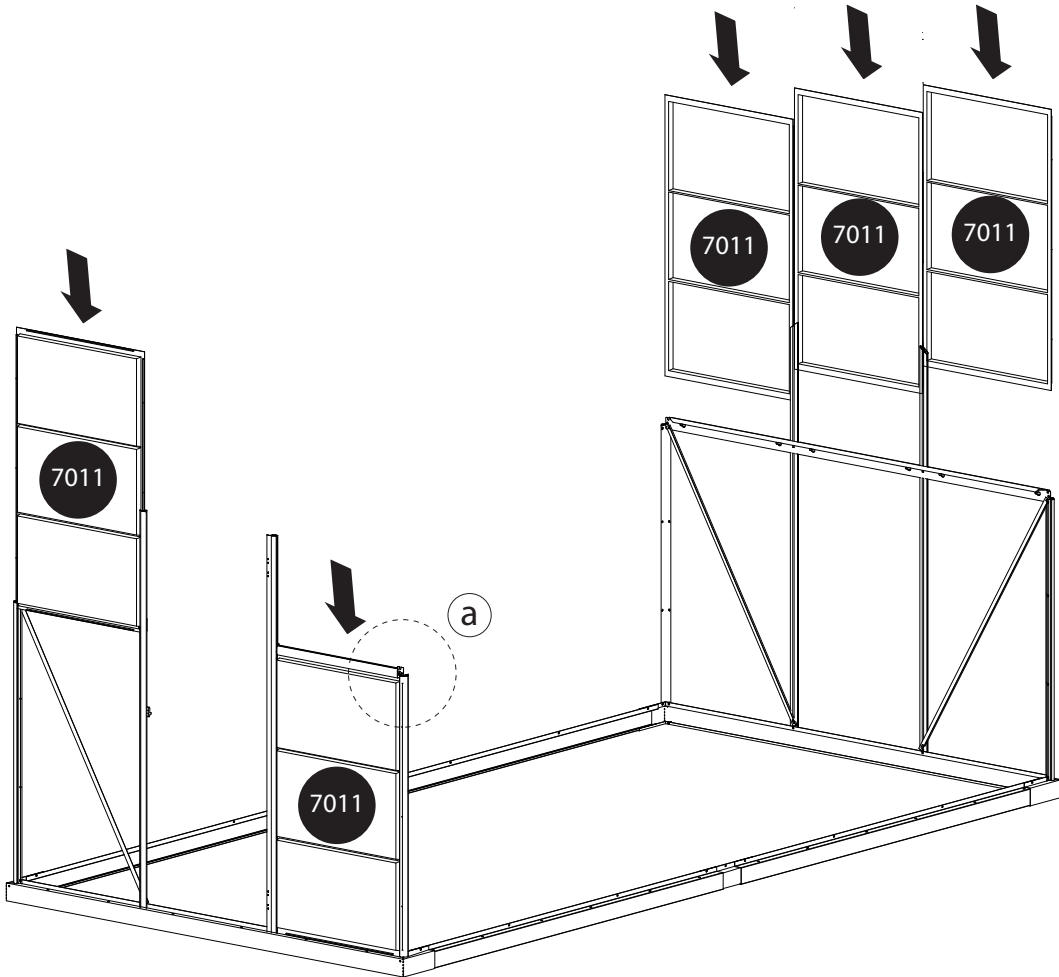




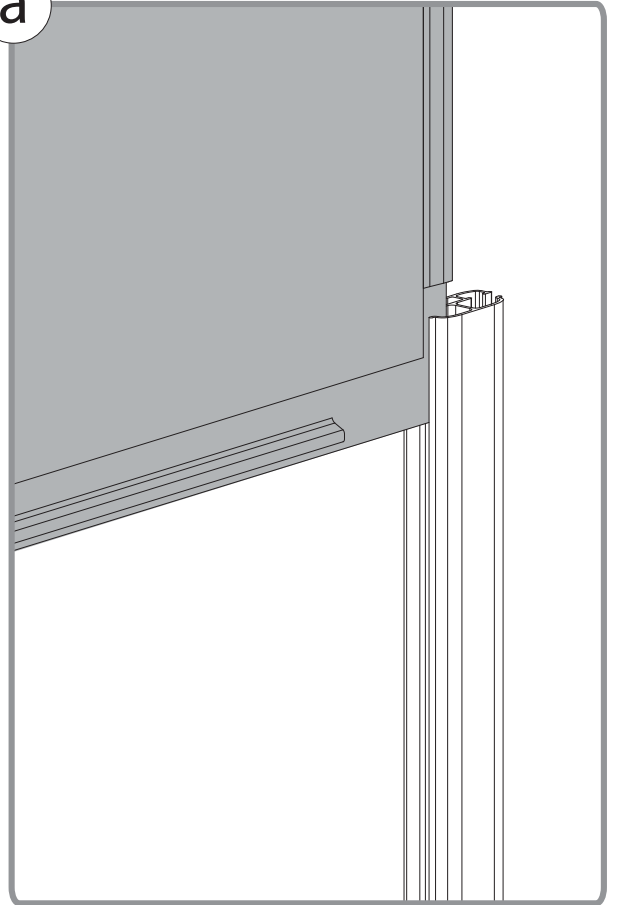
7011

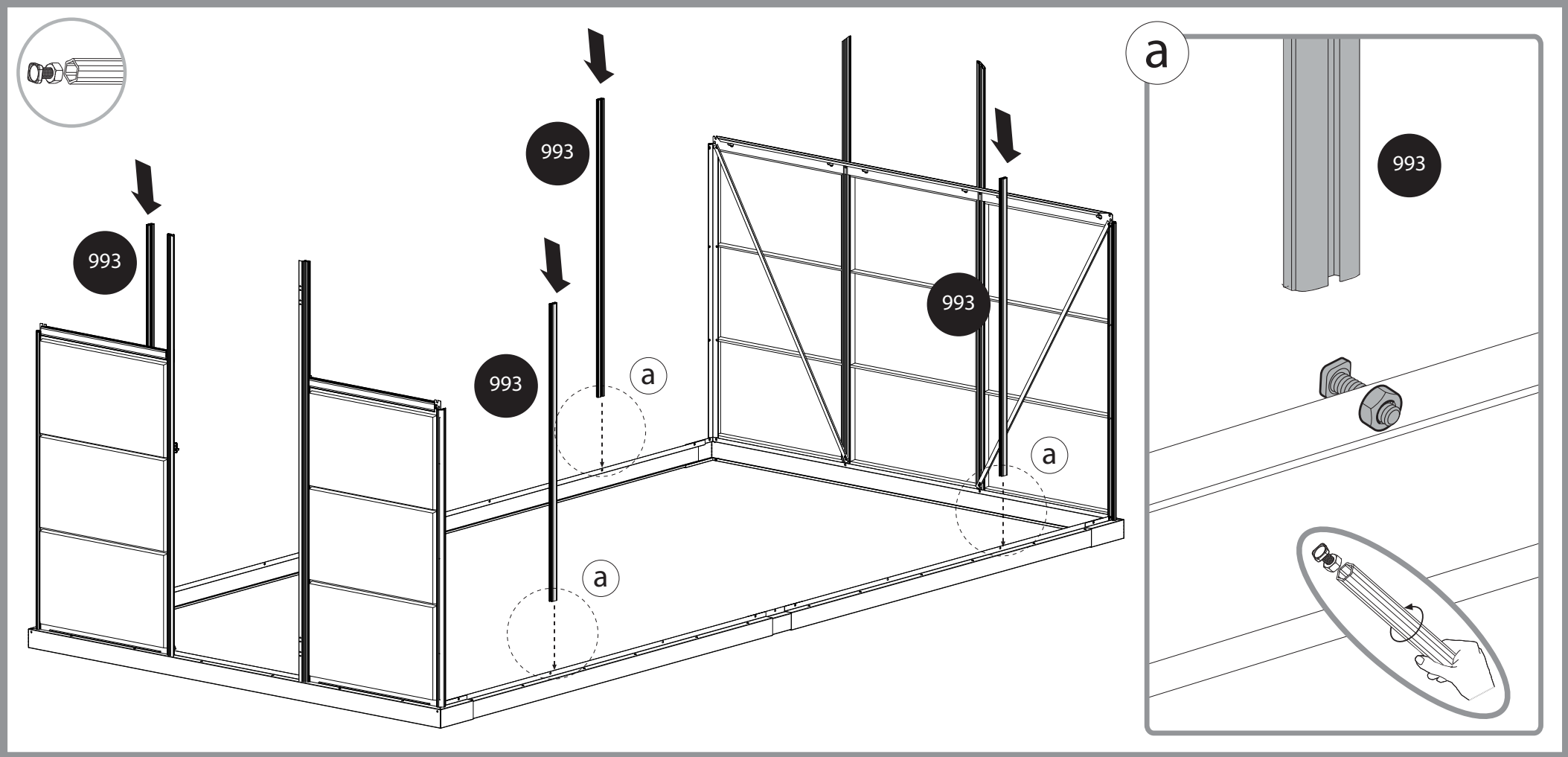
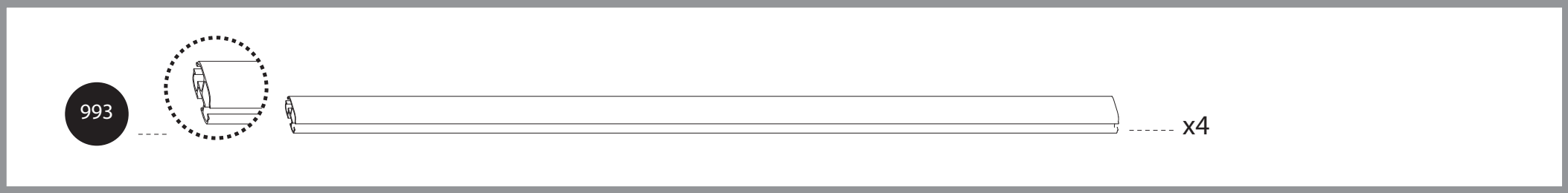
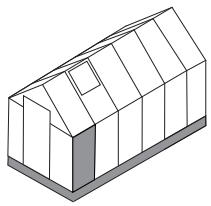


x5

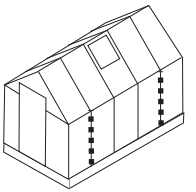


a





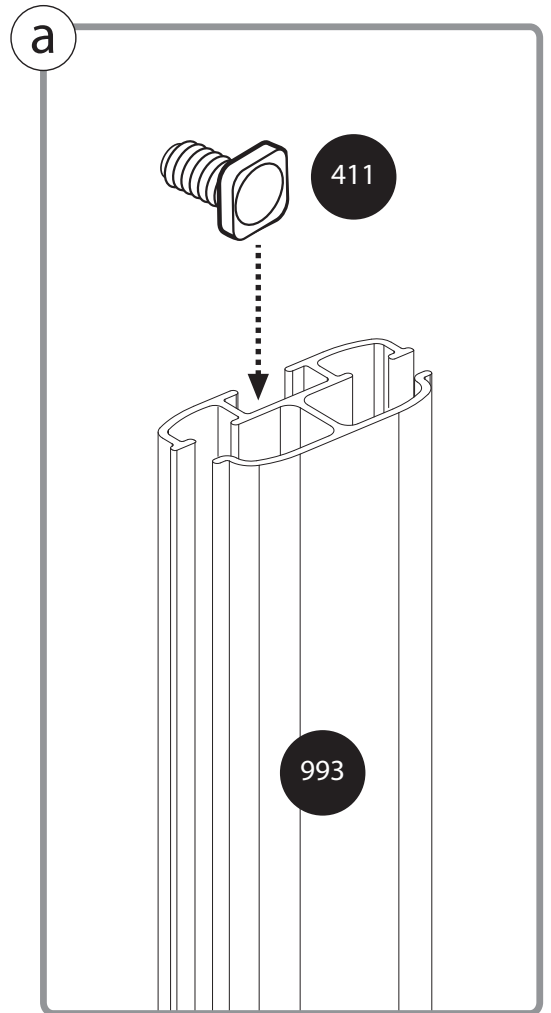
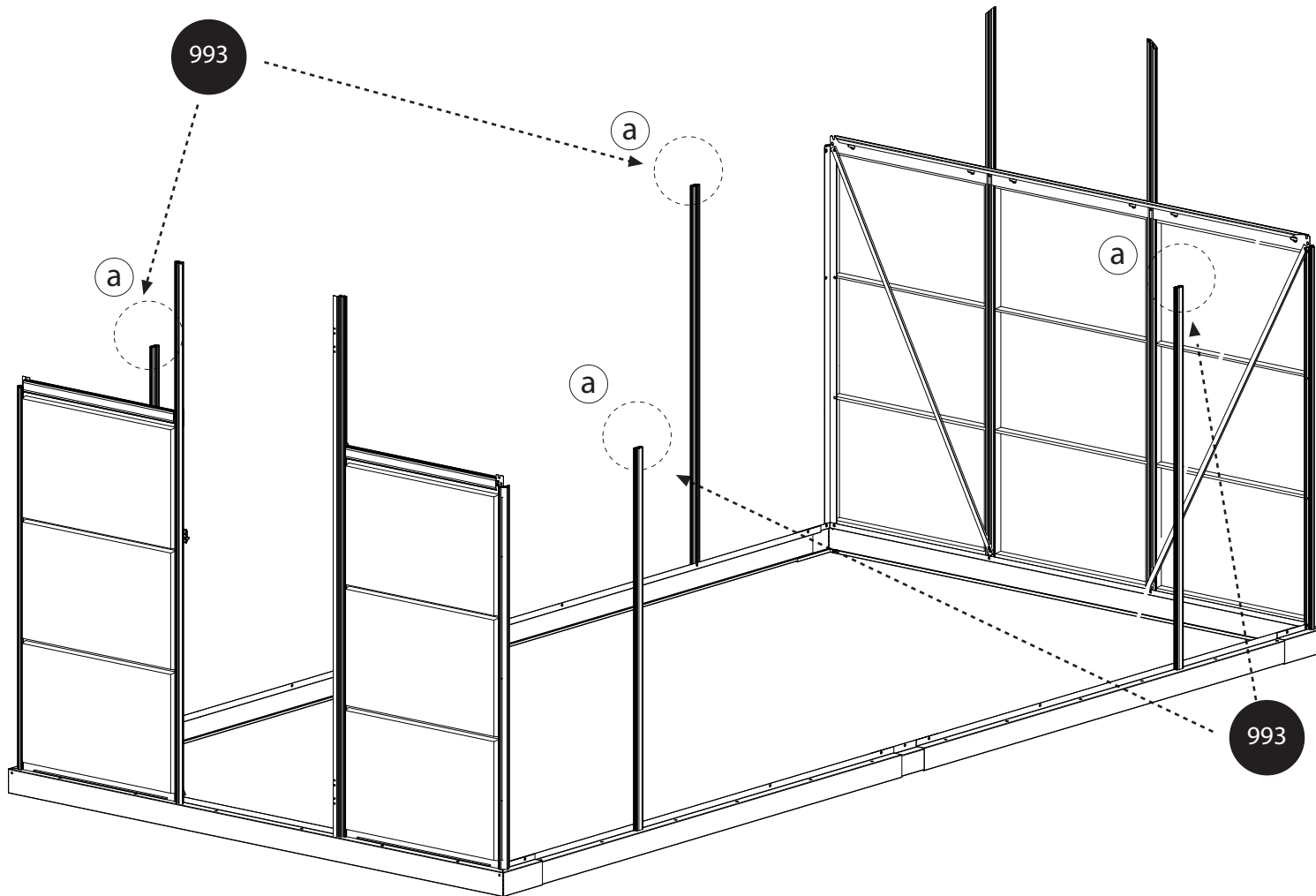
14

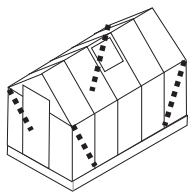


411



x4

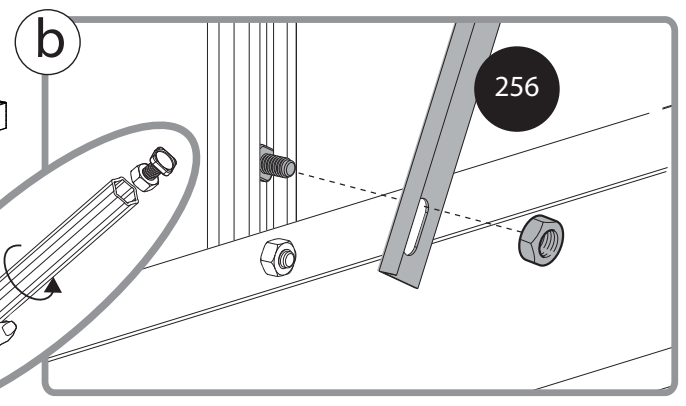
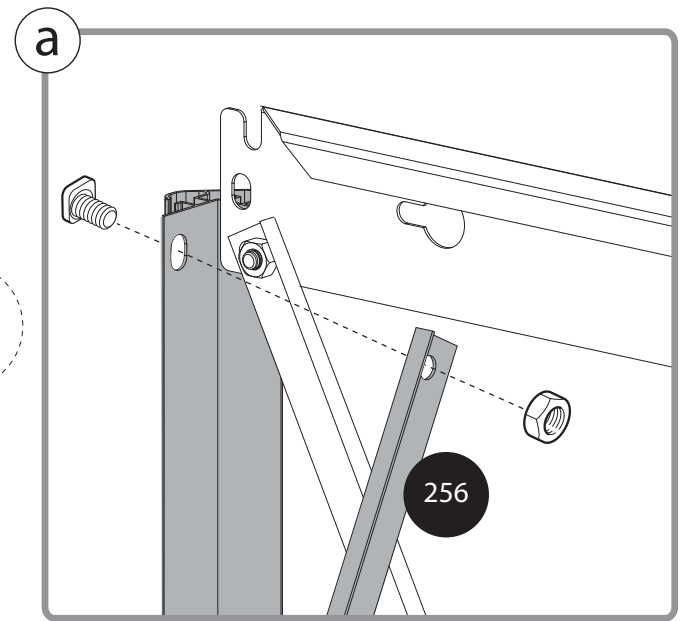
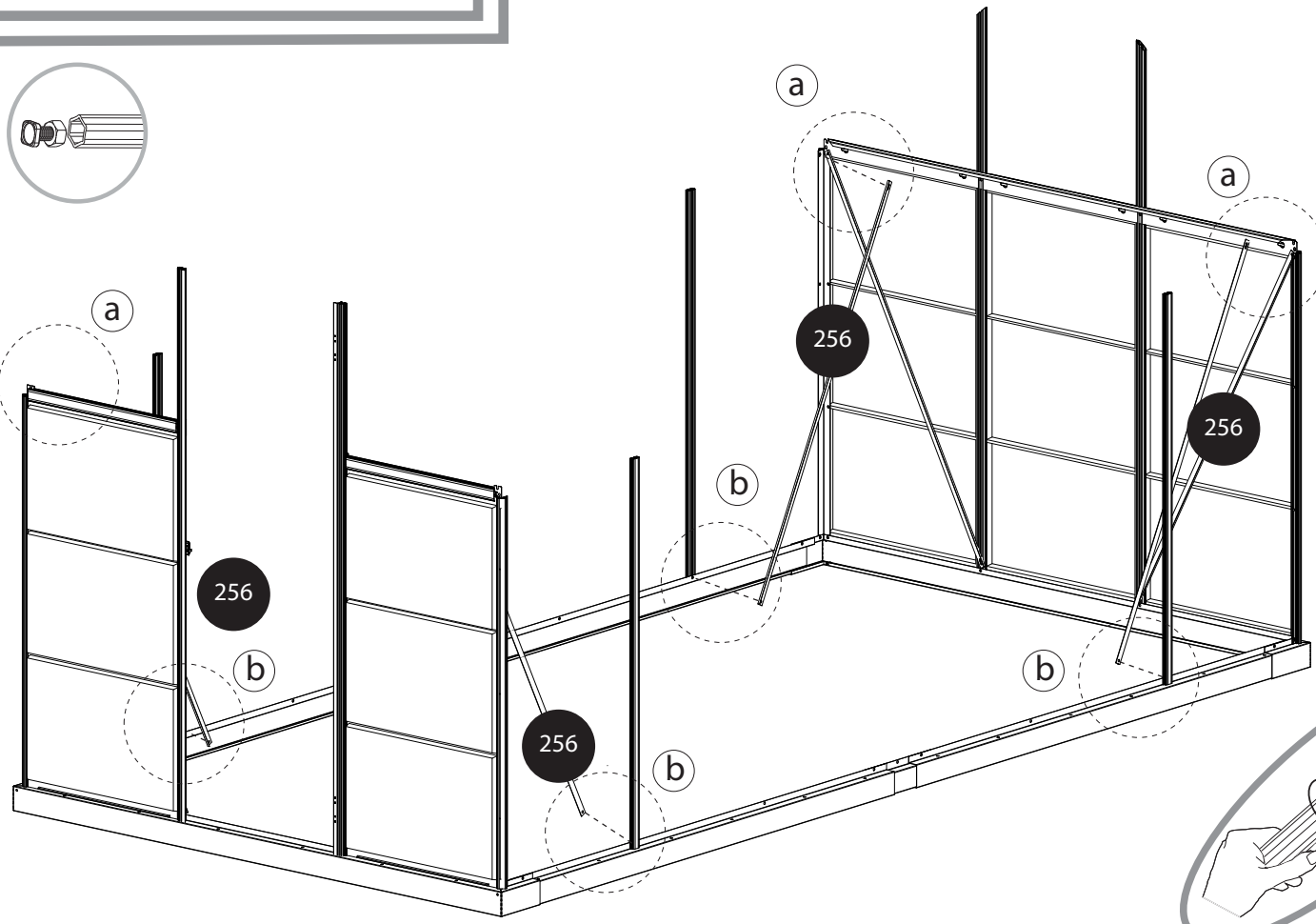
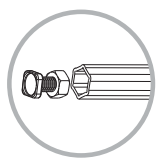


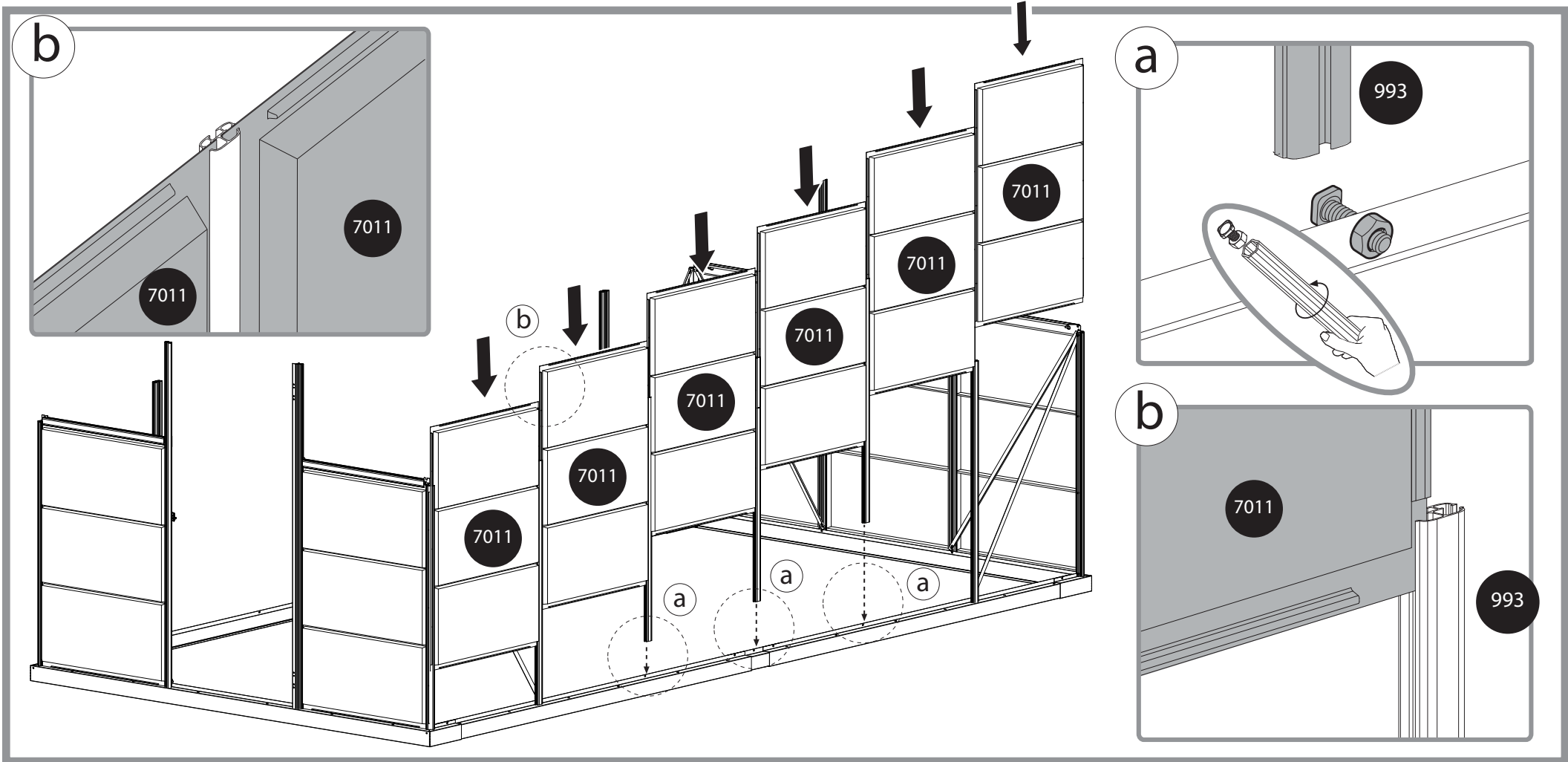
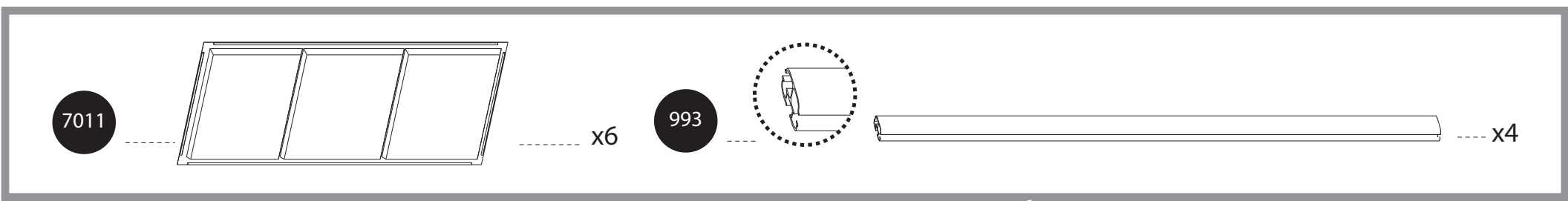
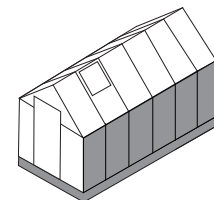


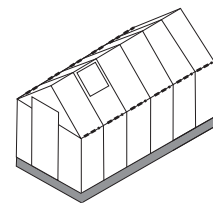
411 x4

256 x4

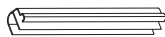
412 x8



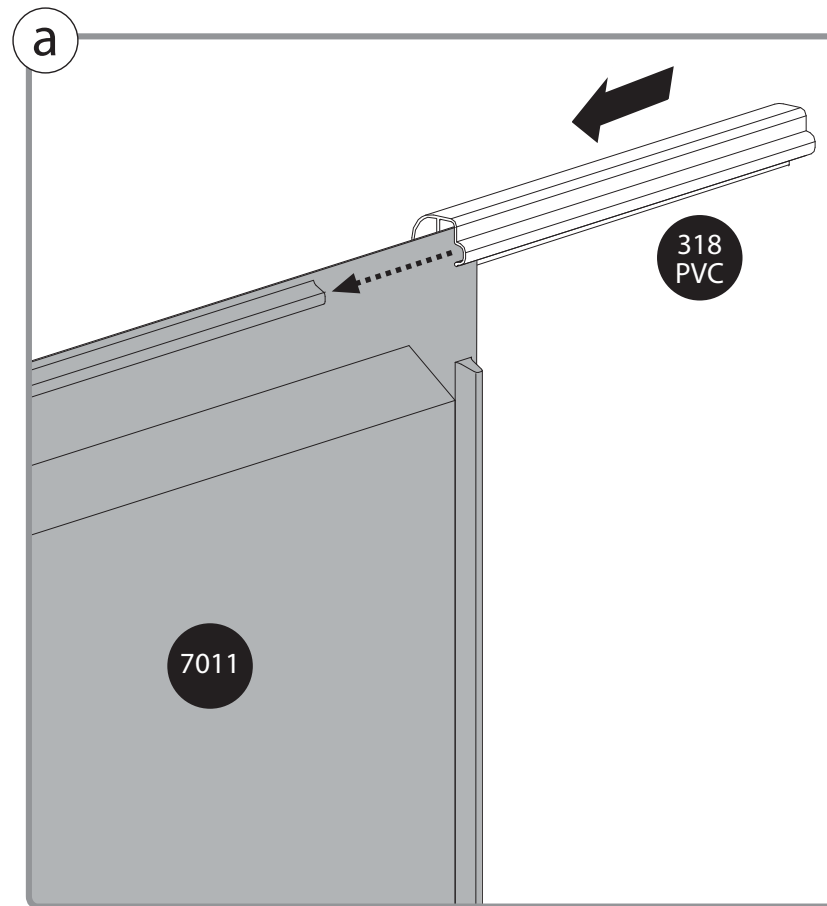
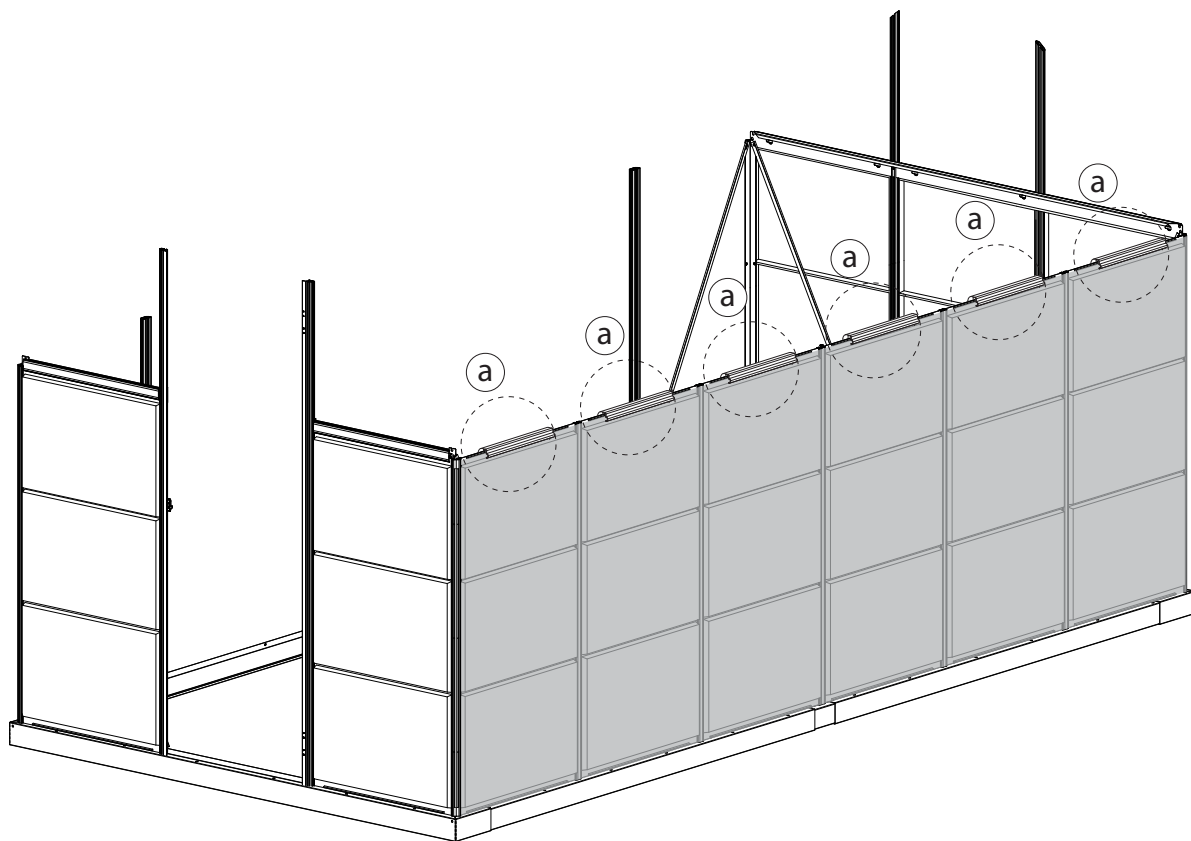




318
PVC




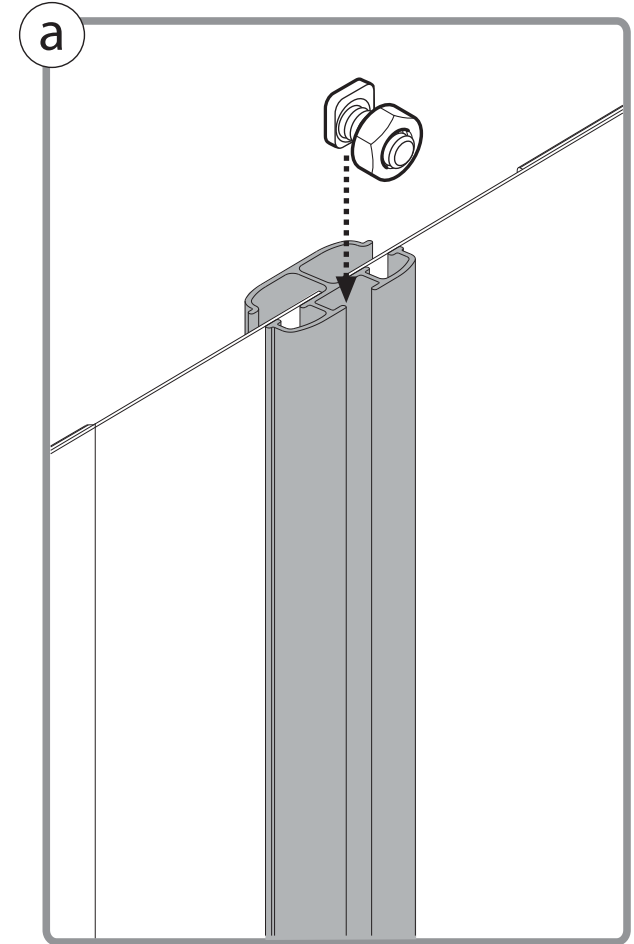
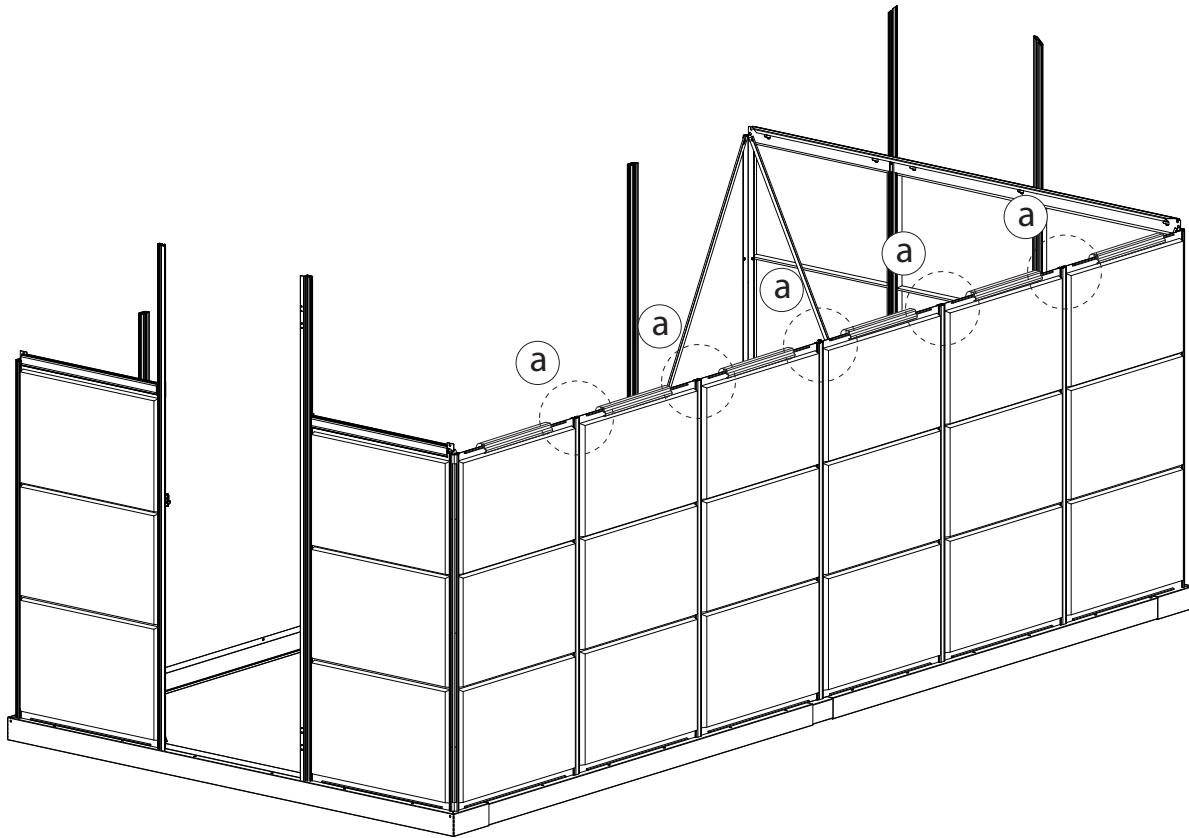
x6

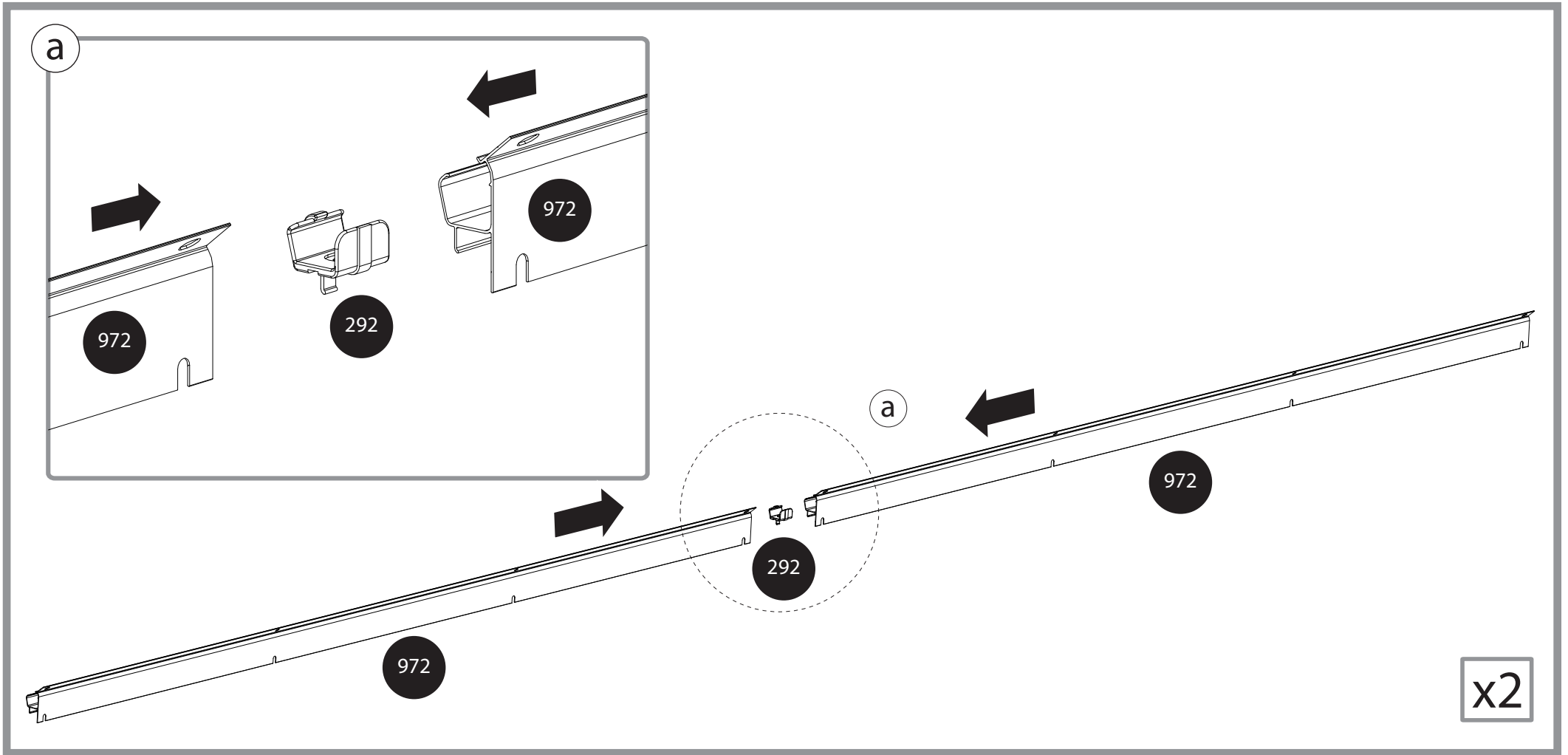
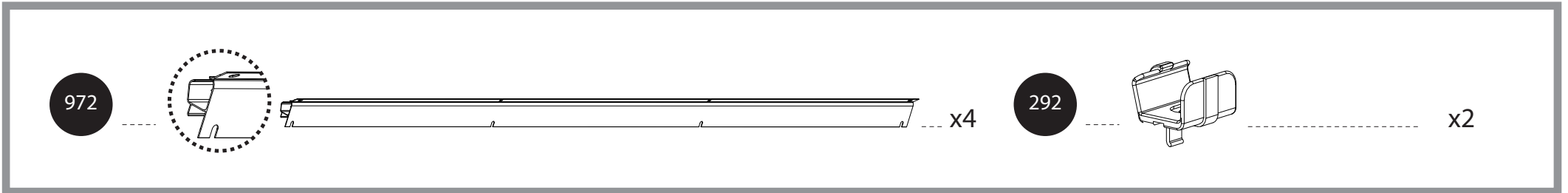
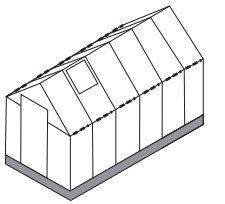


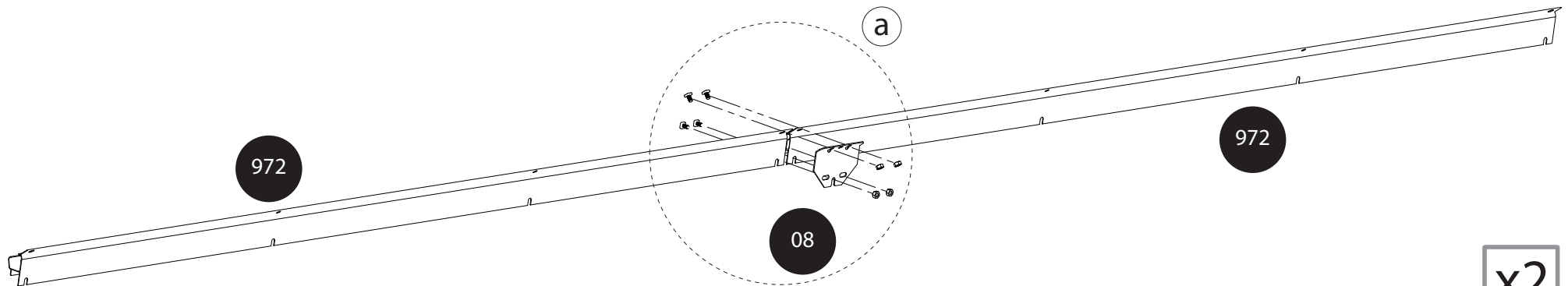
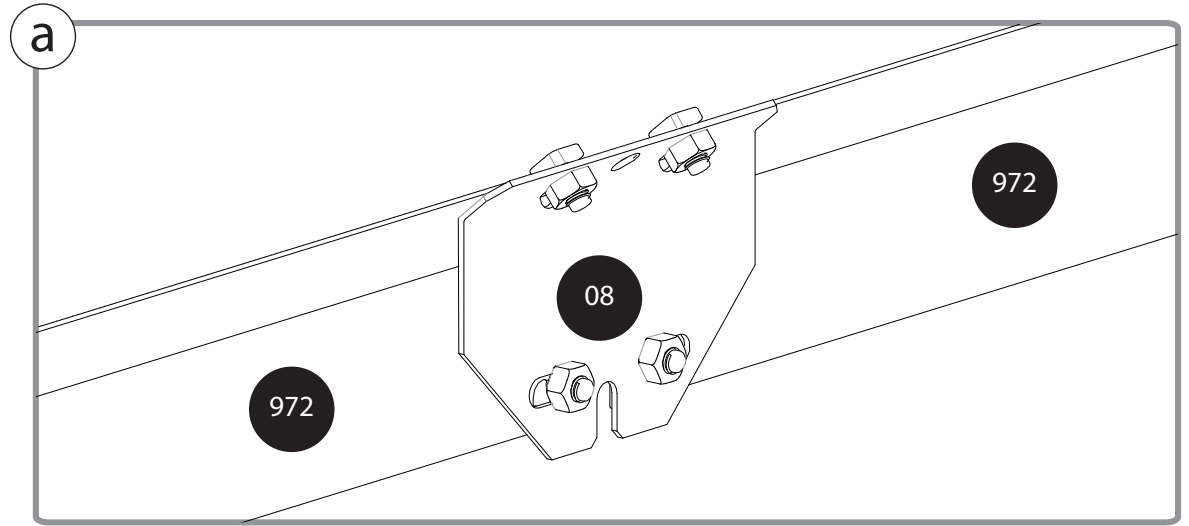
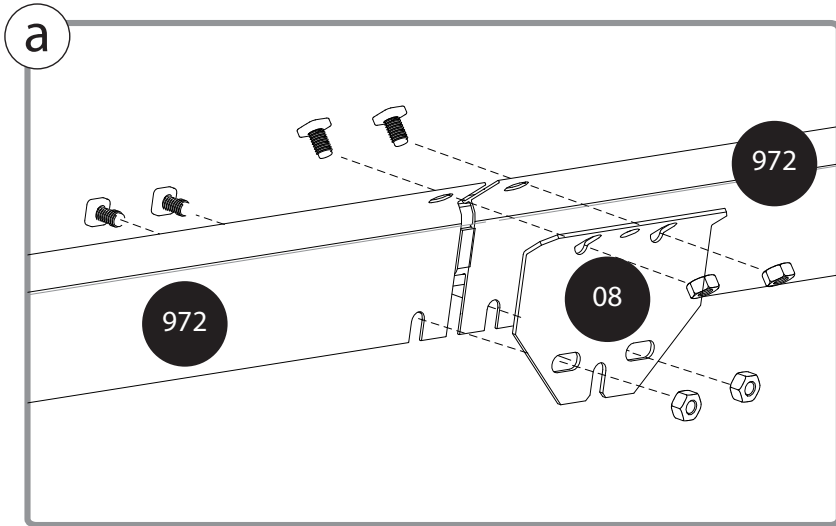
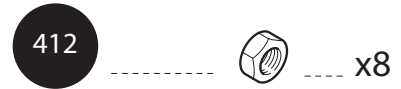
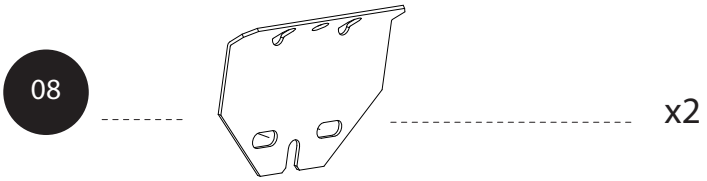
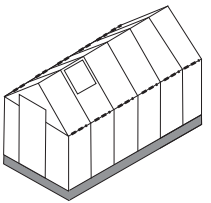


412  x5

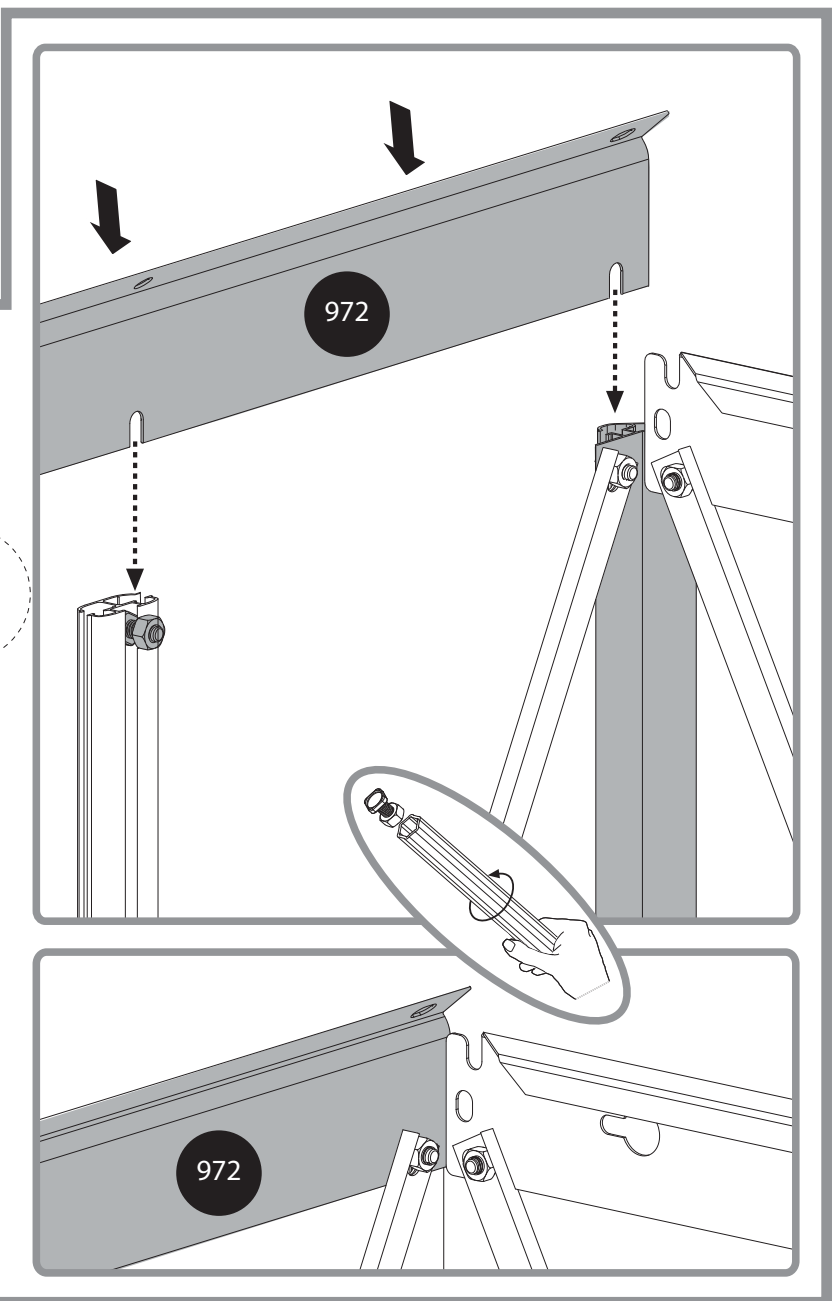
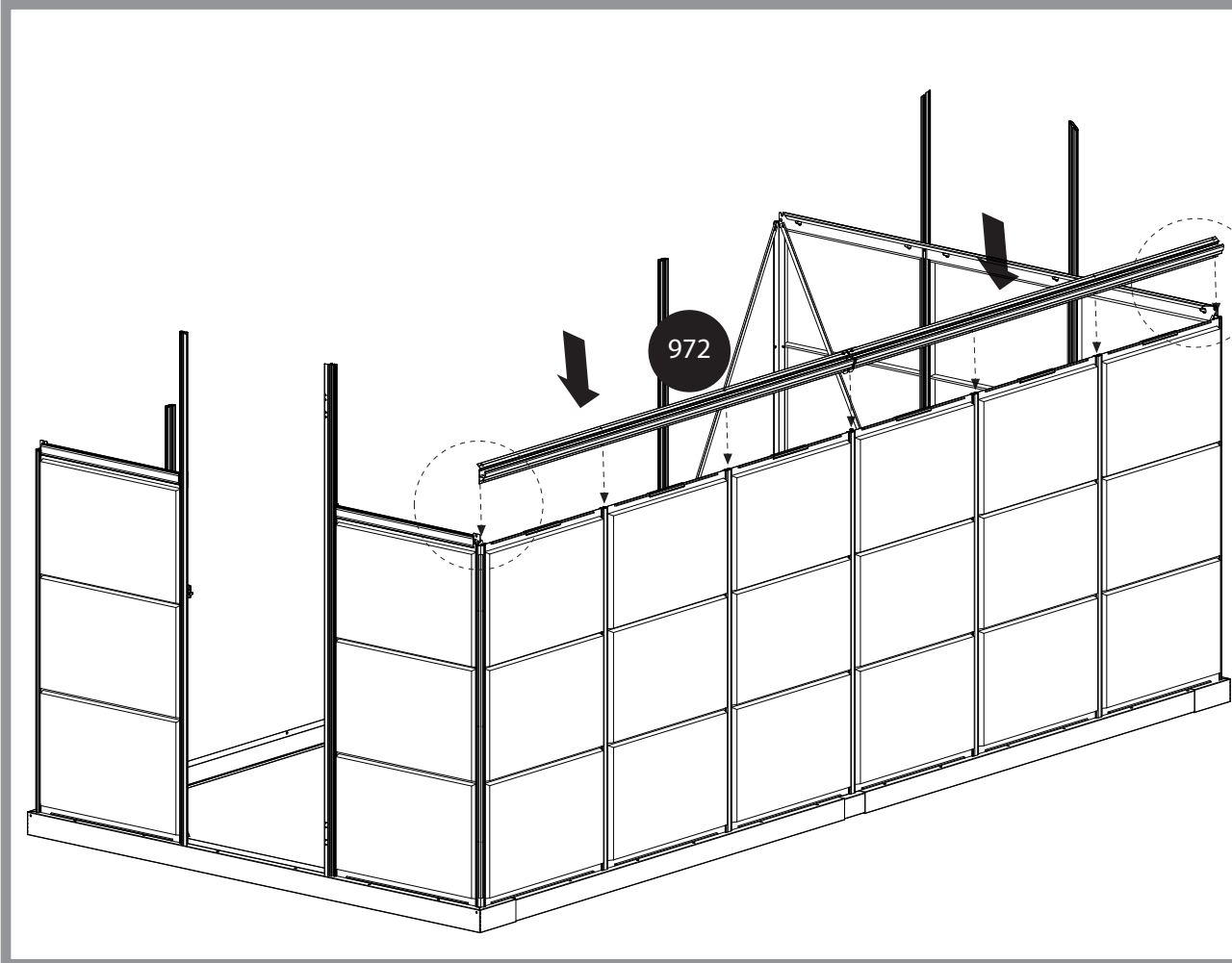
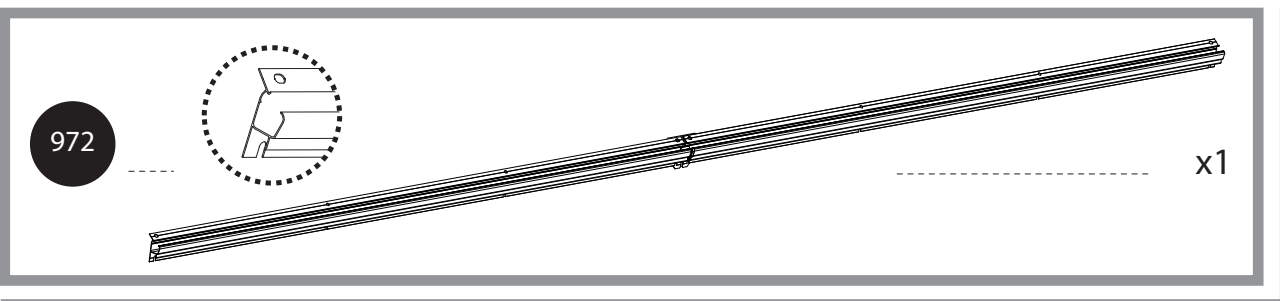
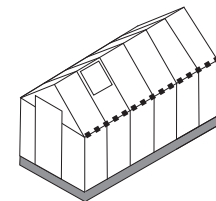
411  x5

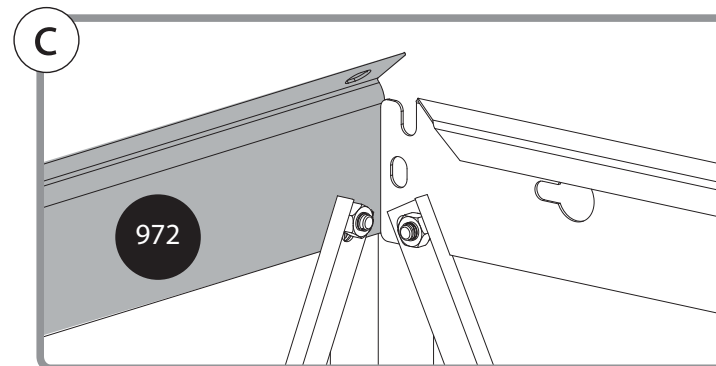
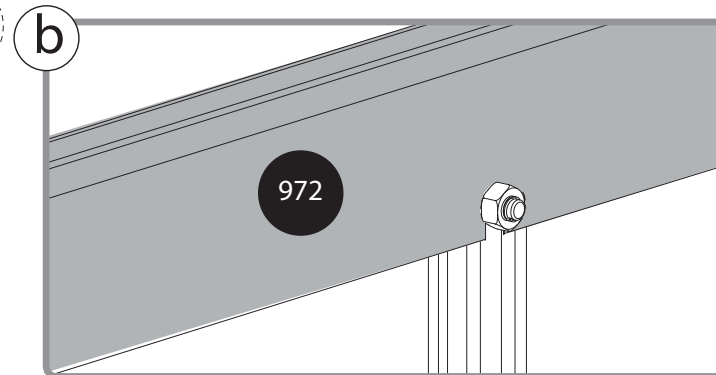
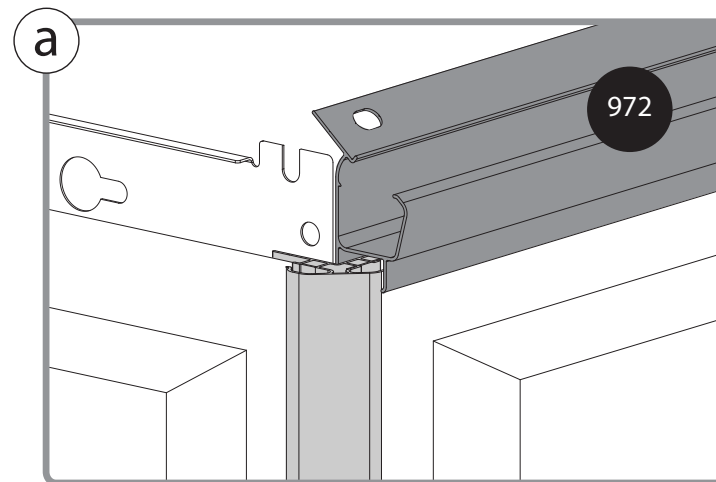
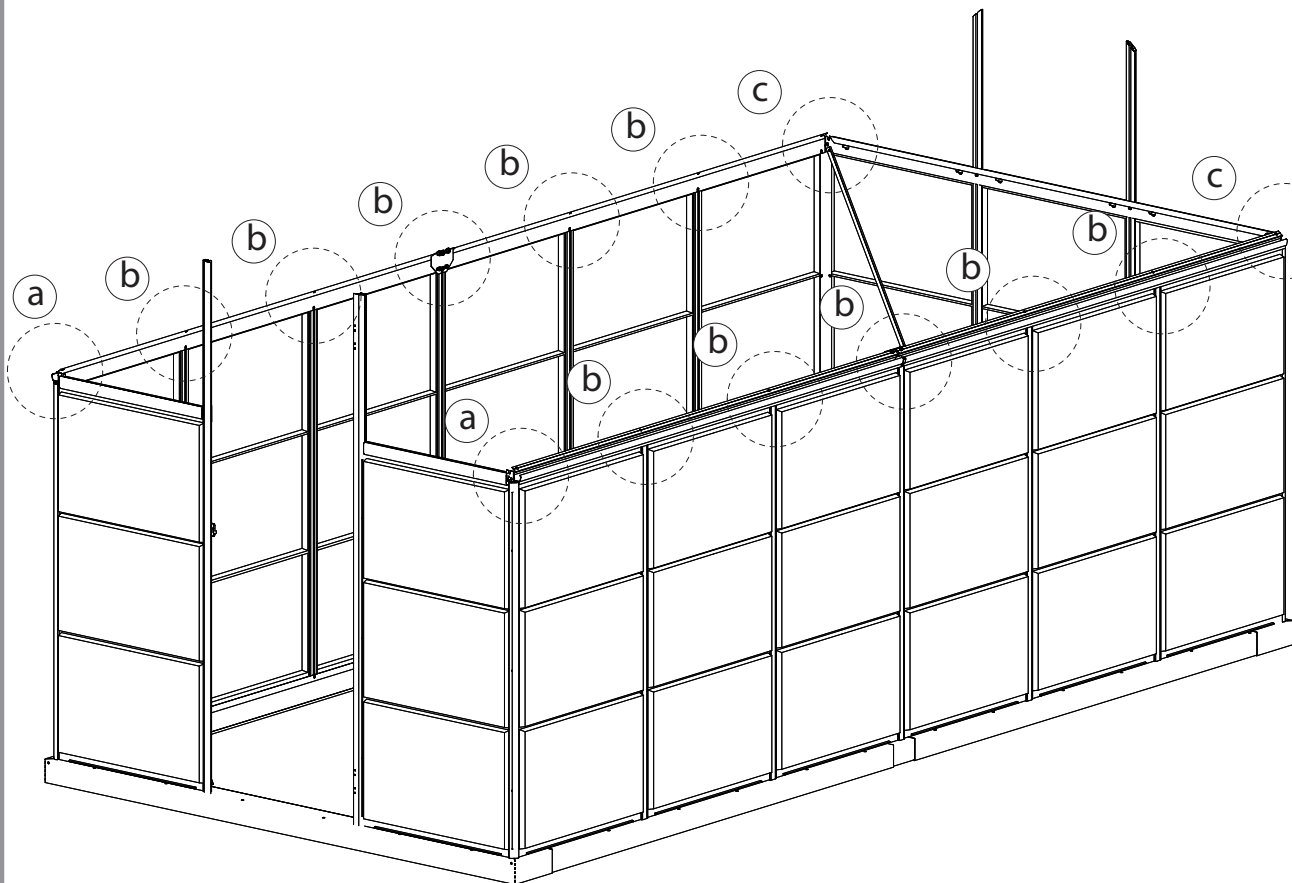
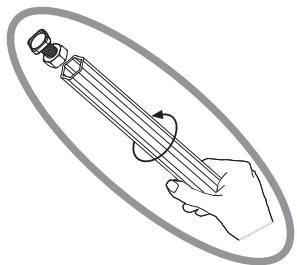
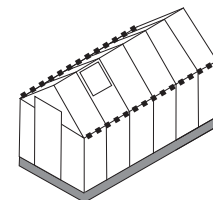


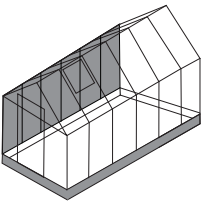




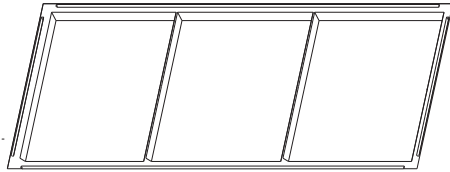
x2





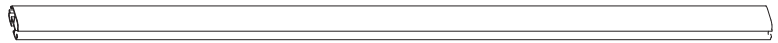
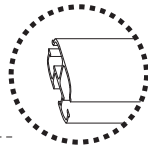


7011

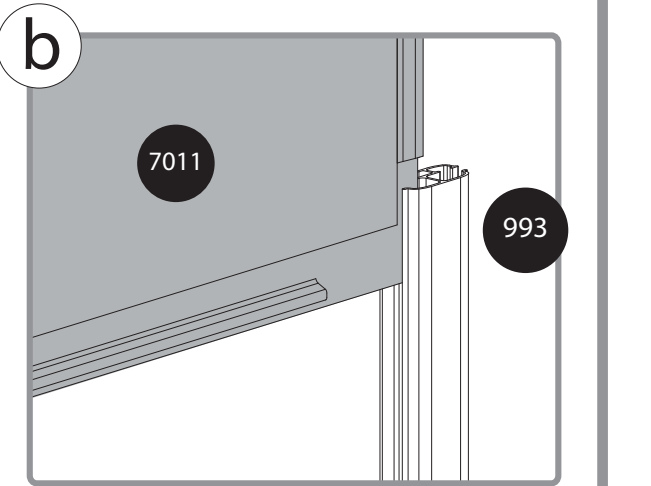
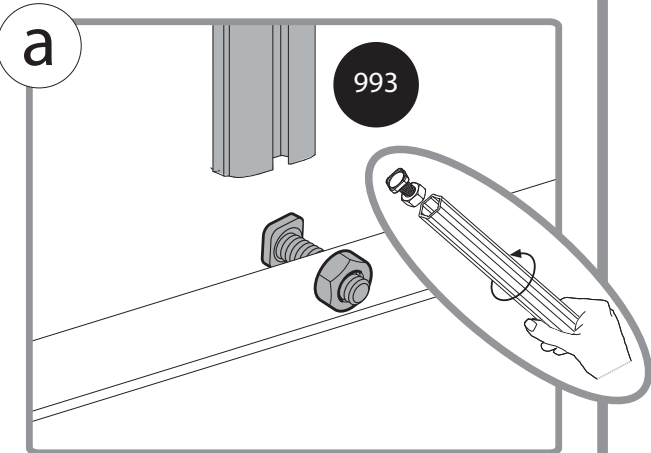
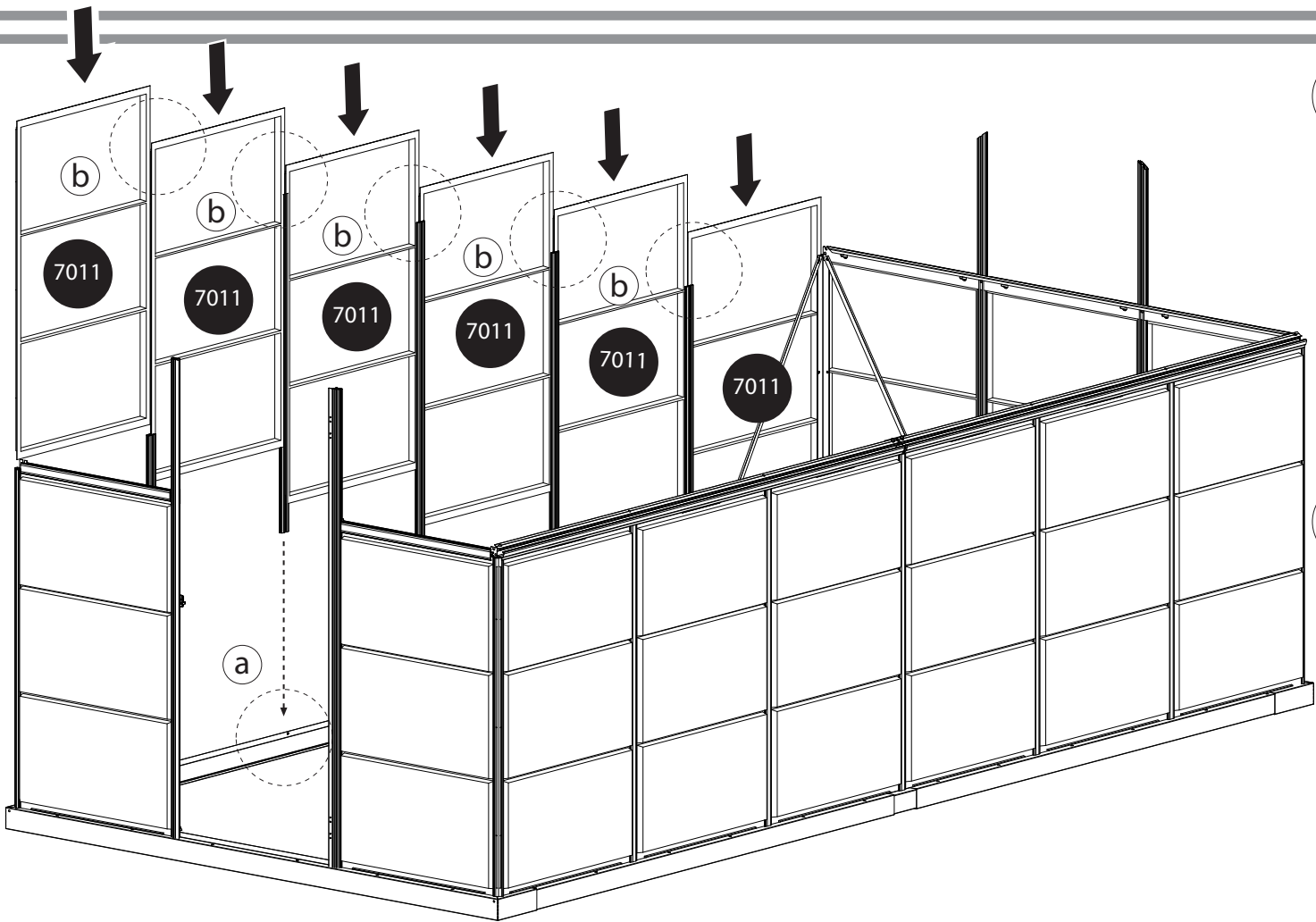


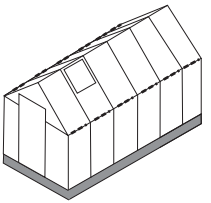
x6

993



x3

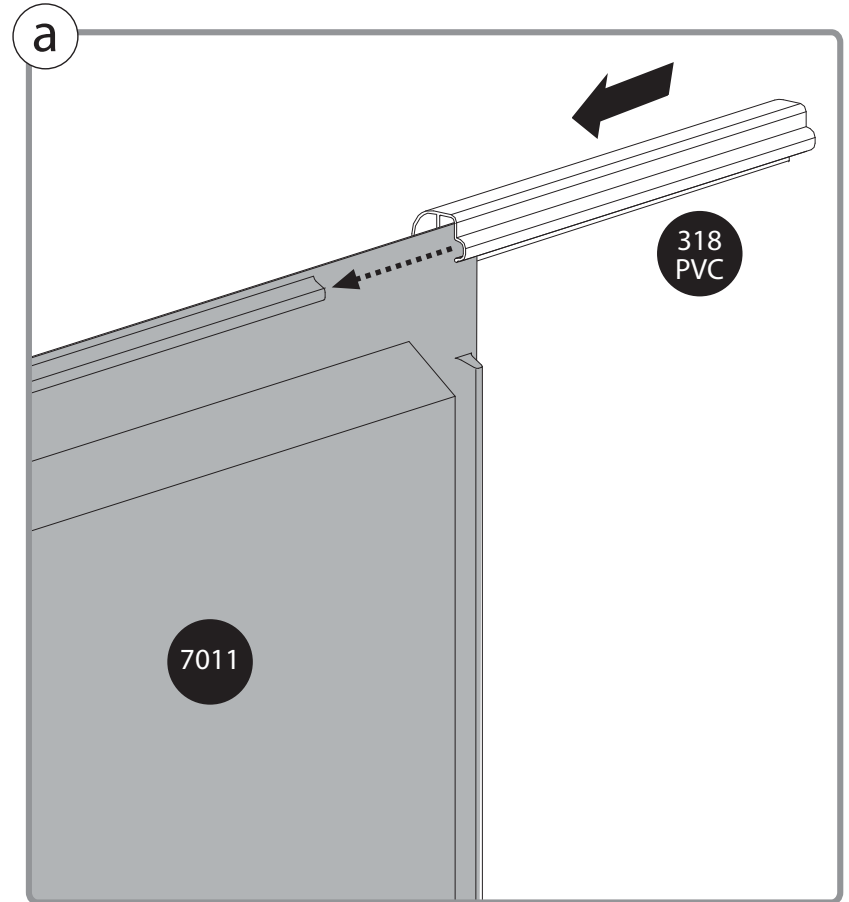
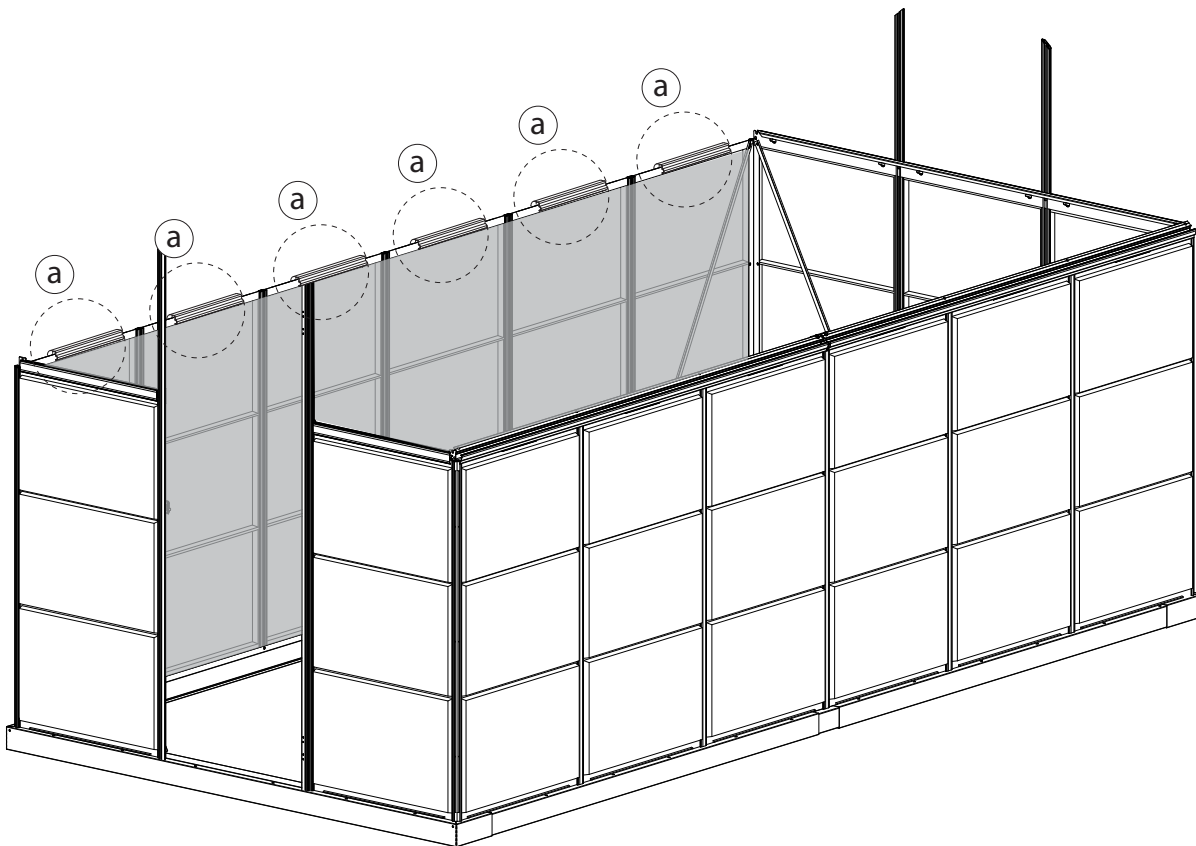




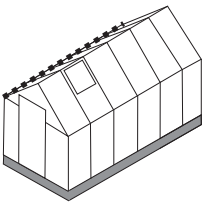
318
PVC



x6

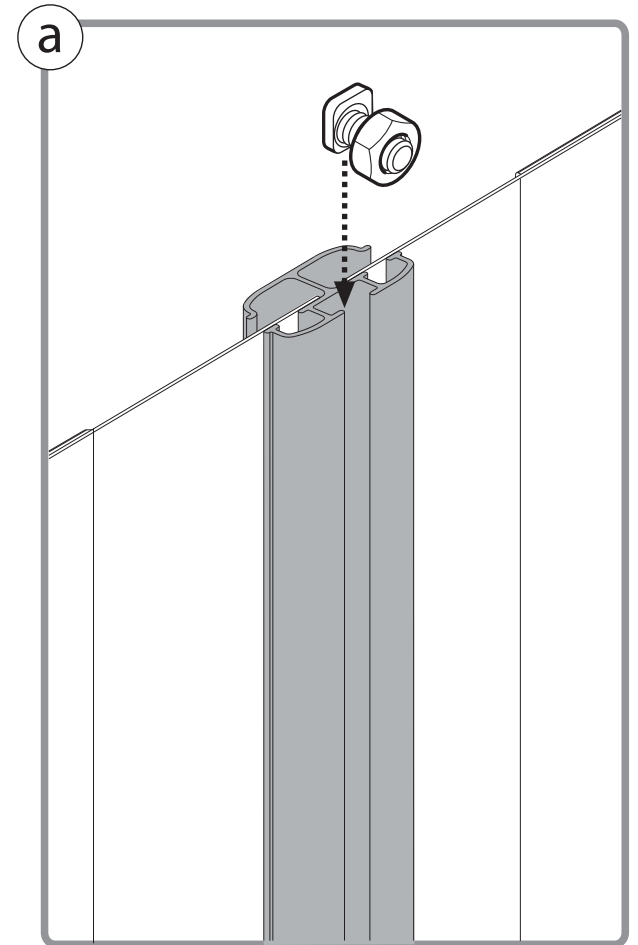
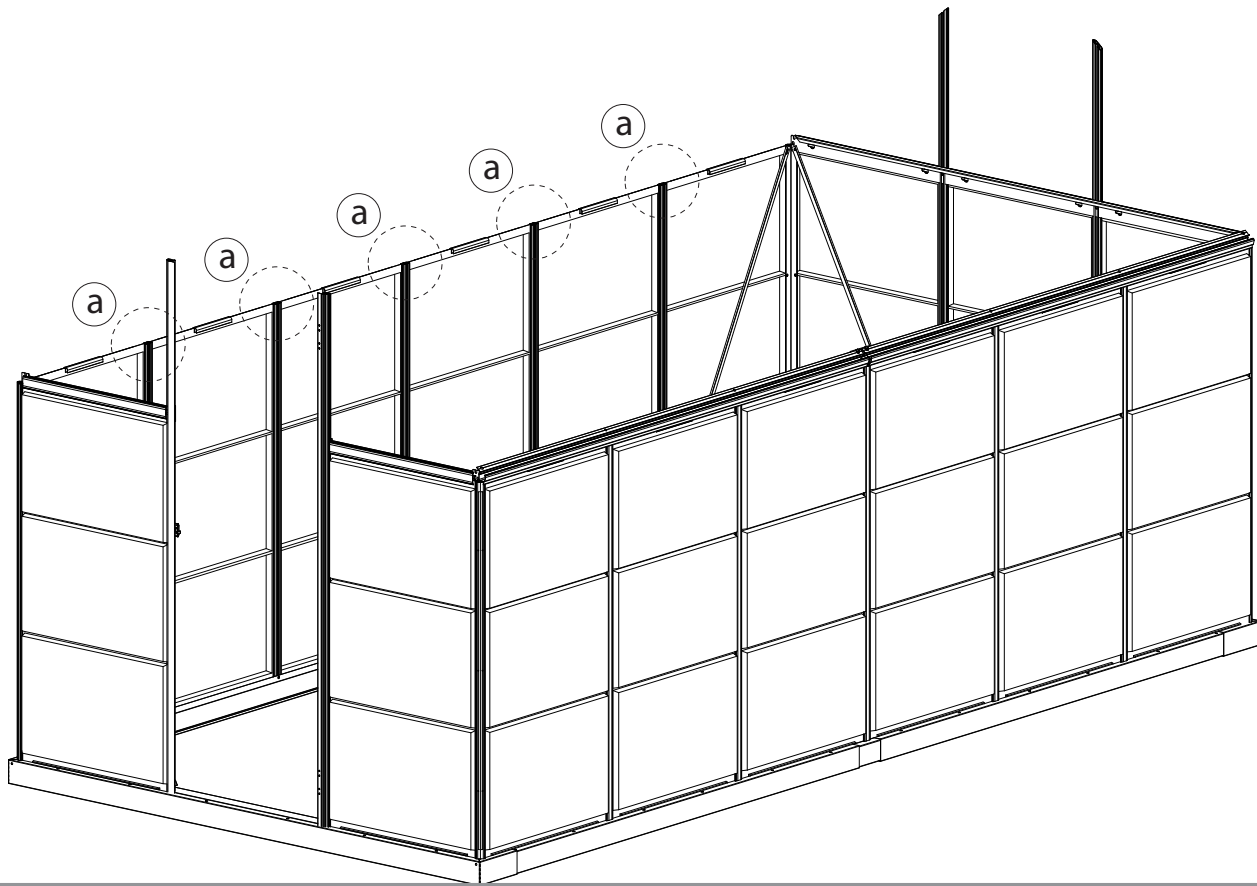


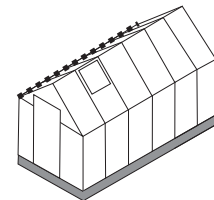
25



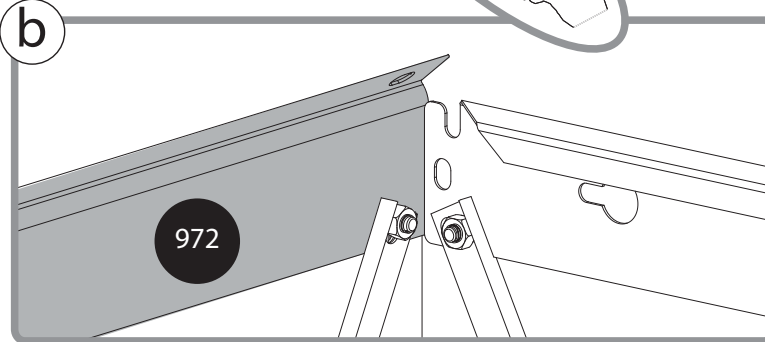
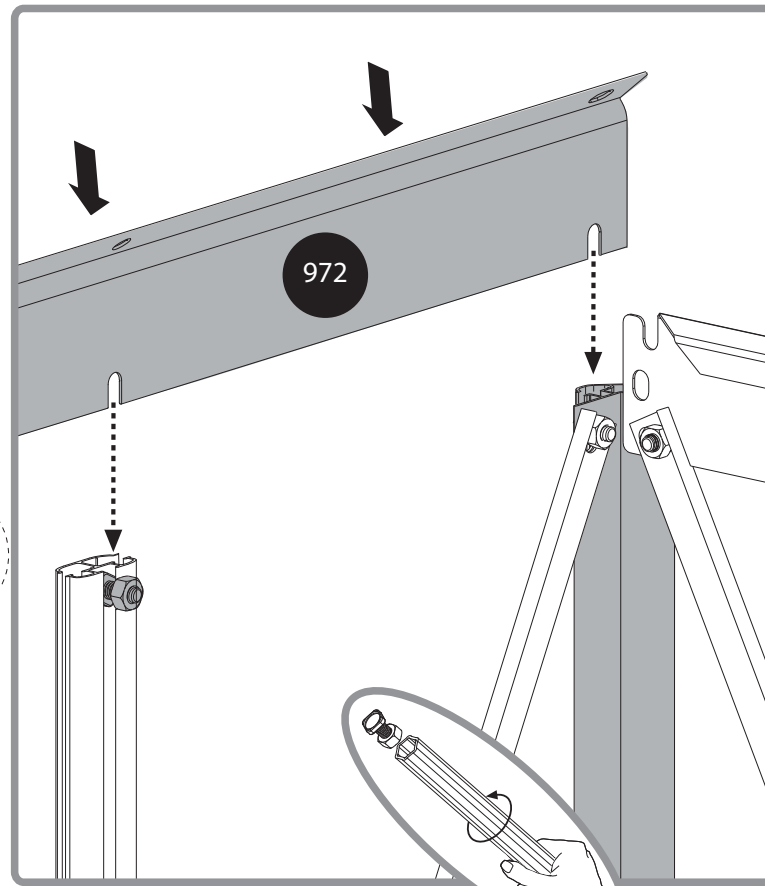
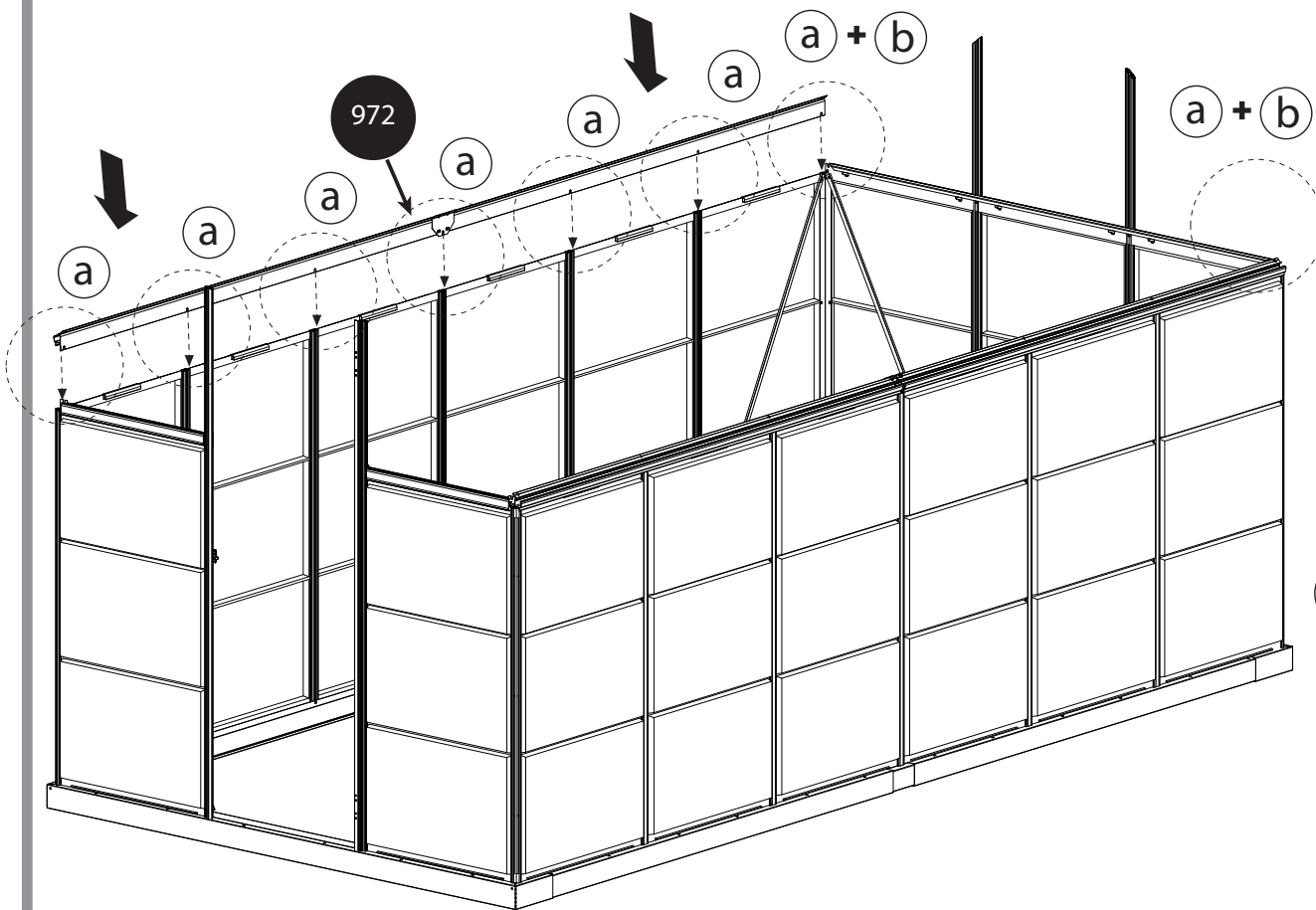
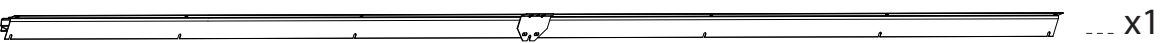
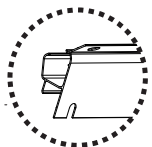
412 x5

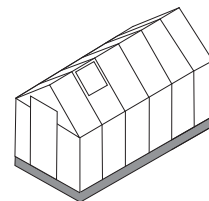
411 x5





972

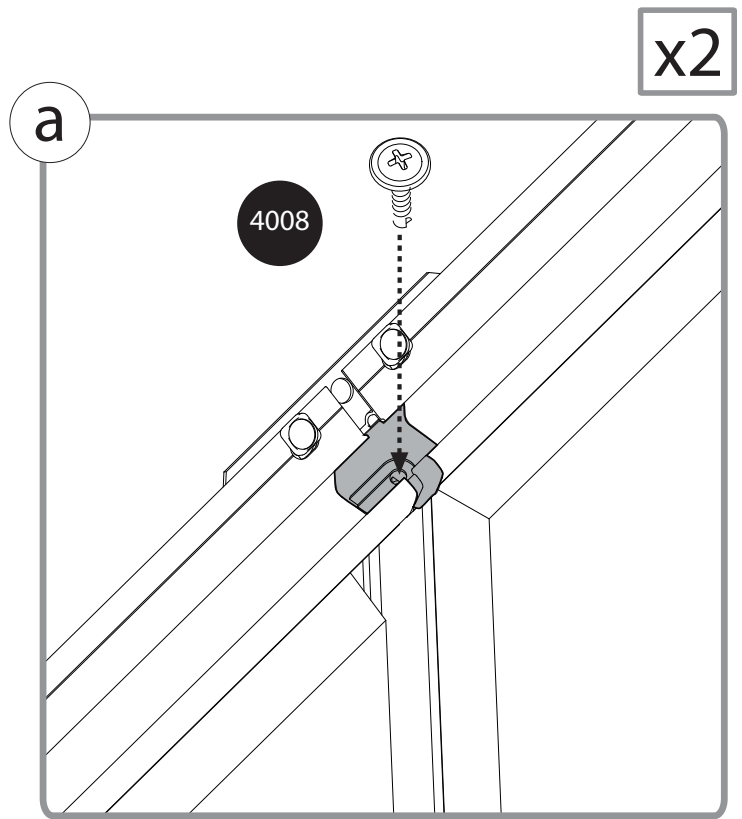
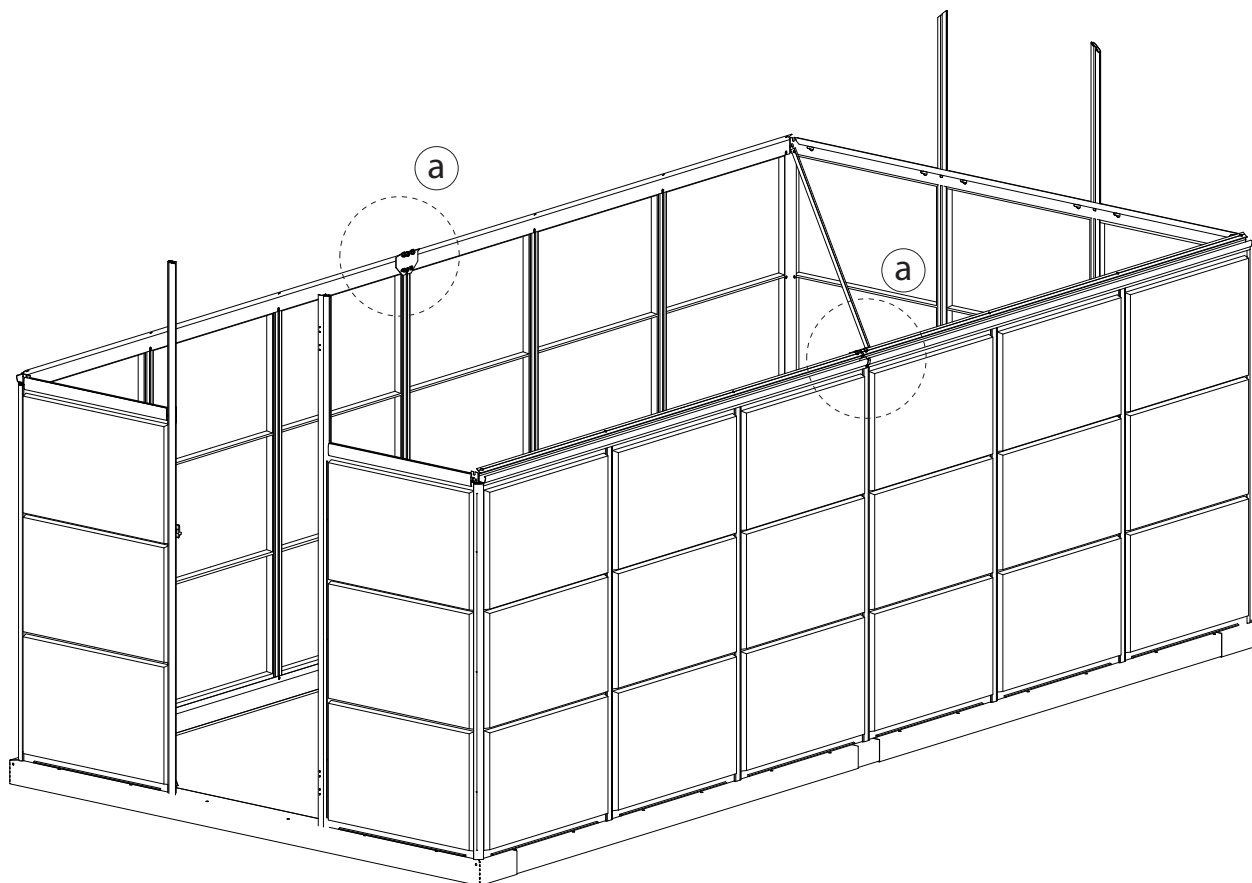




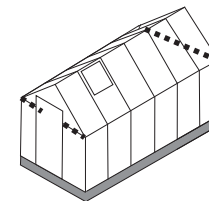
4008



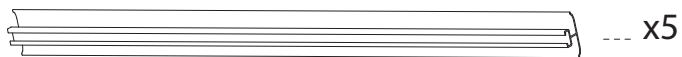
x2



28



999

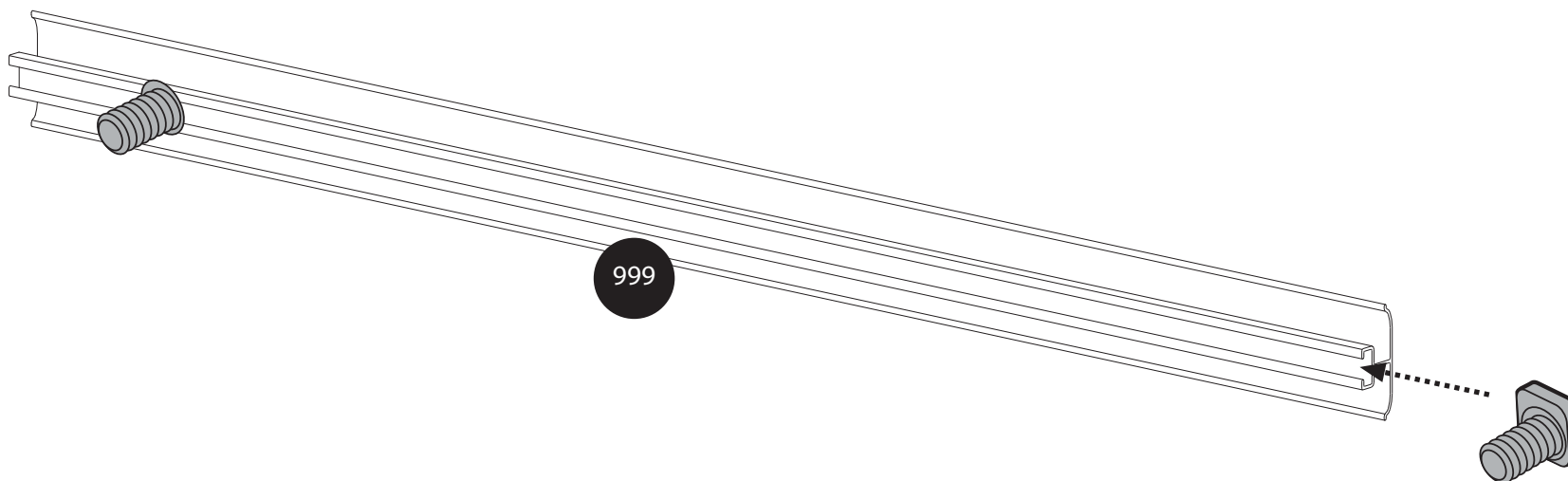


x5

411

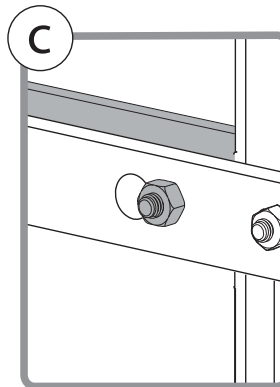
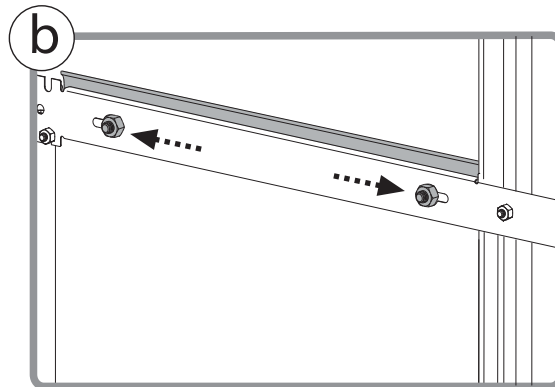
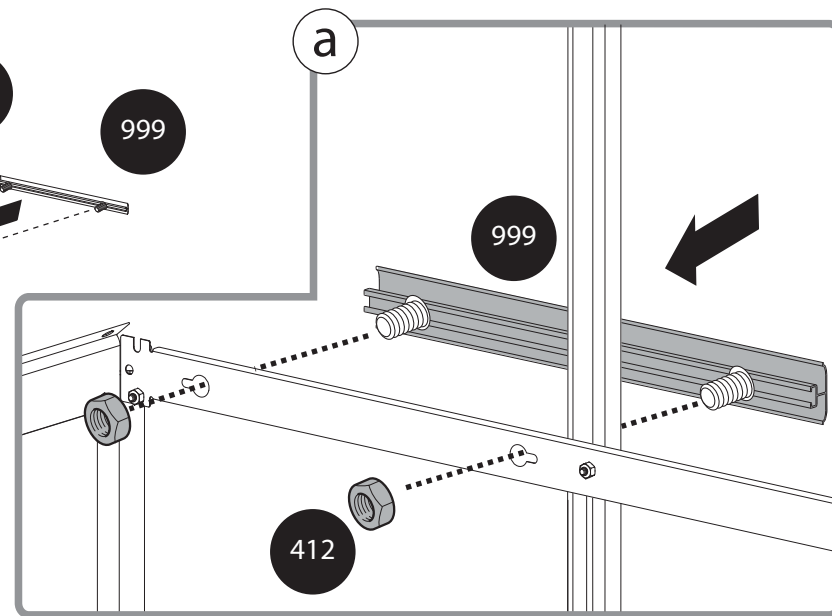
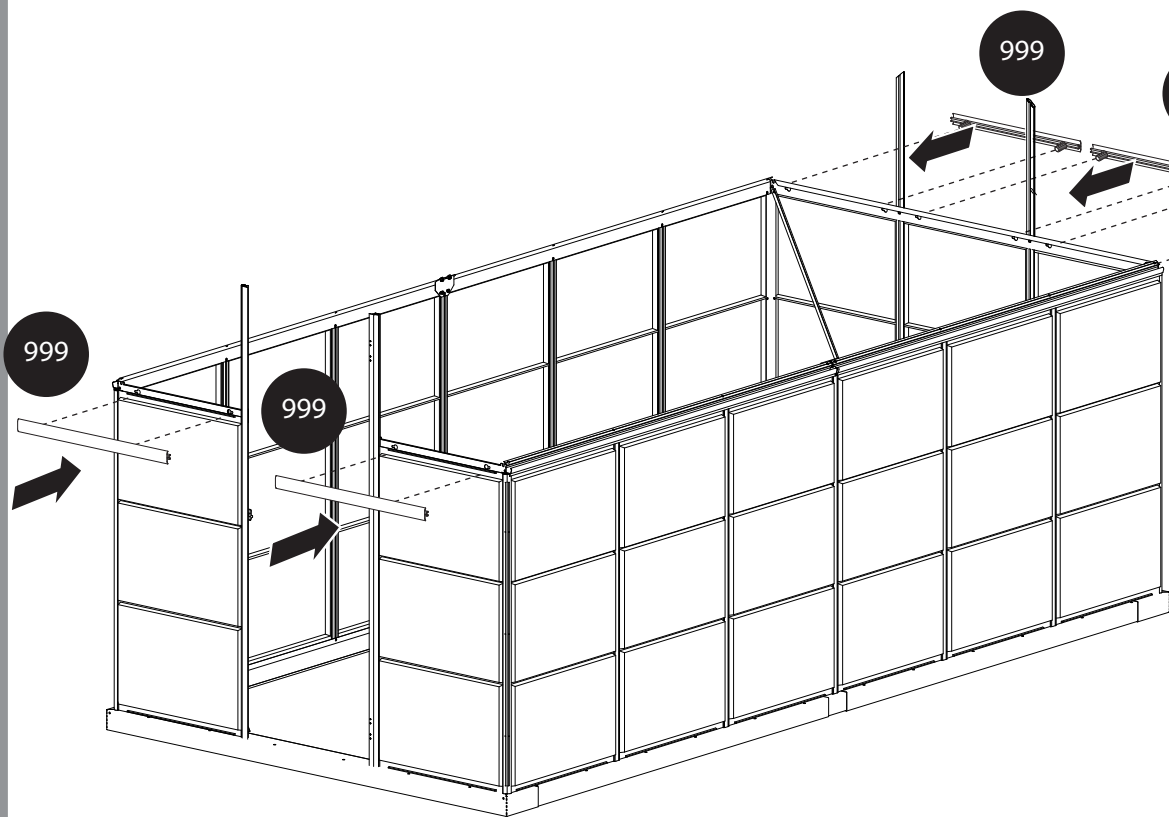
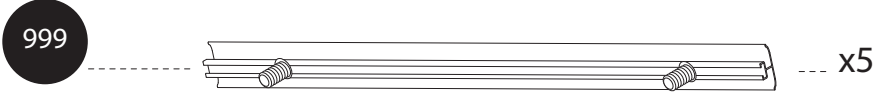
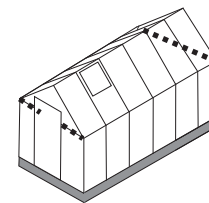


x10

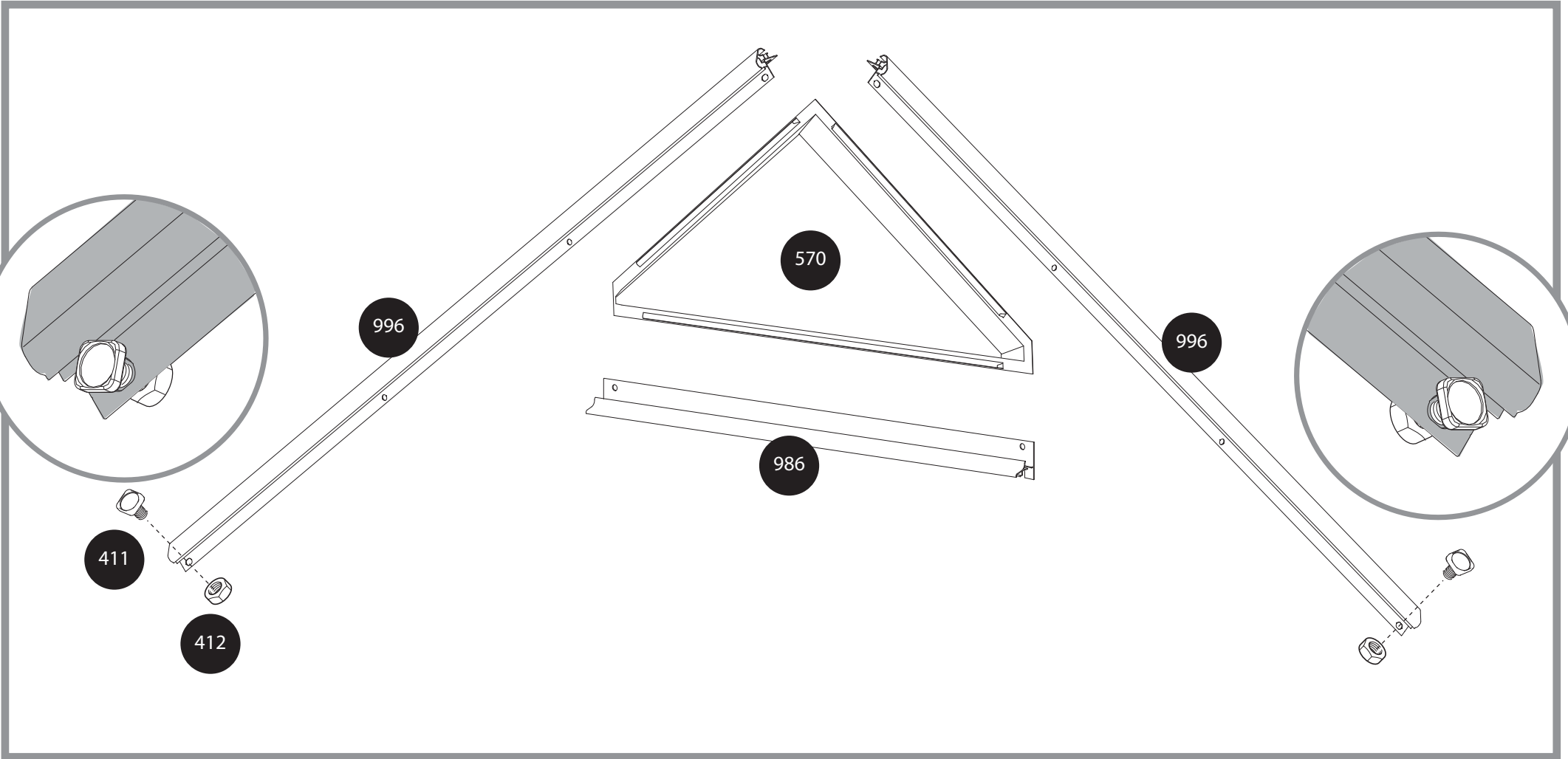
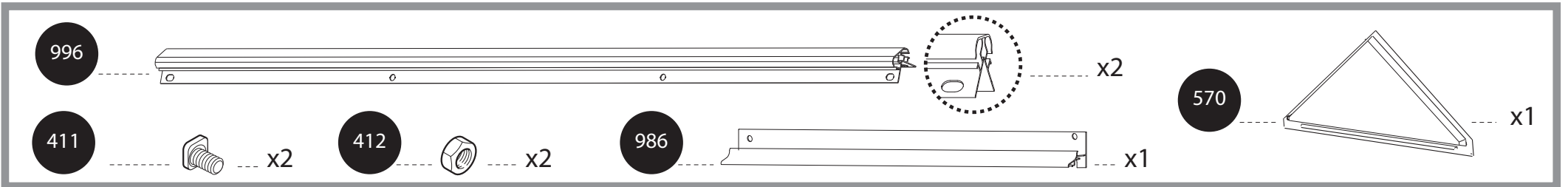
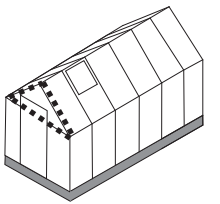


999

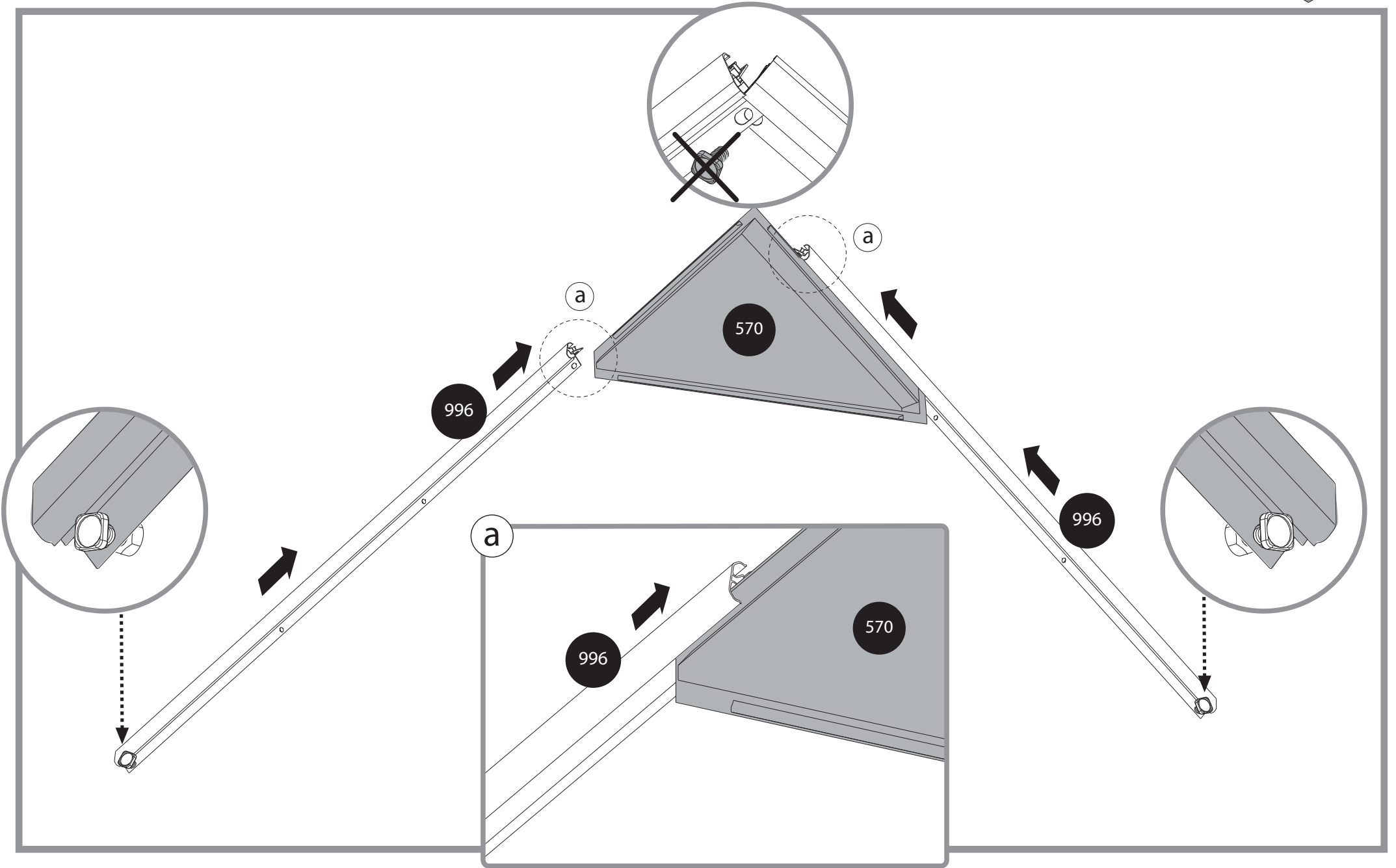
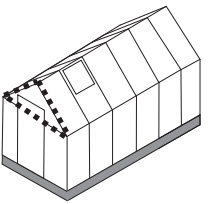
x5

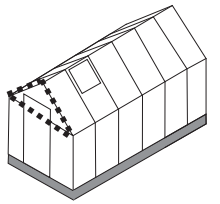


30

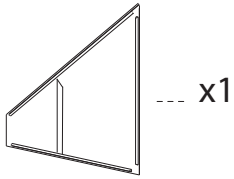


31

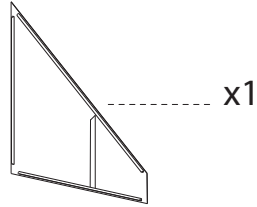




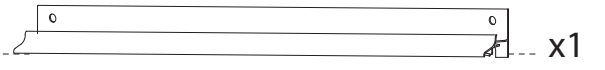
559



560



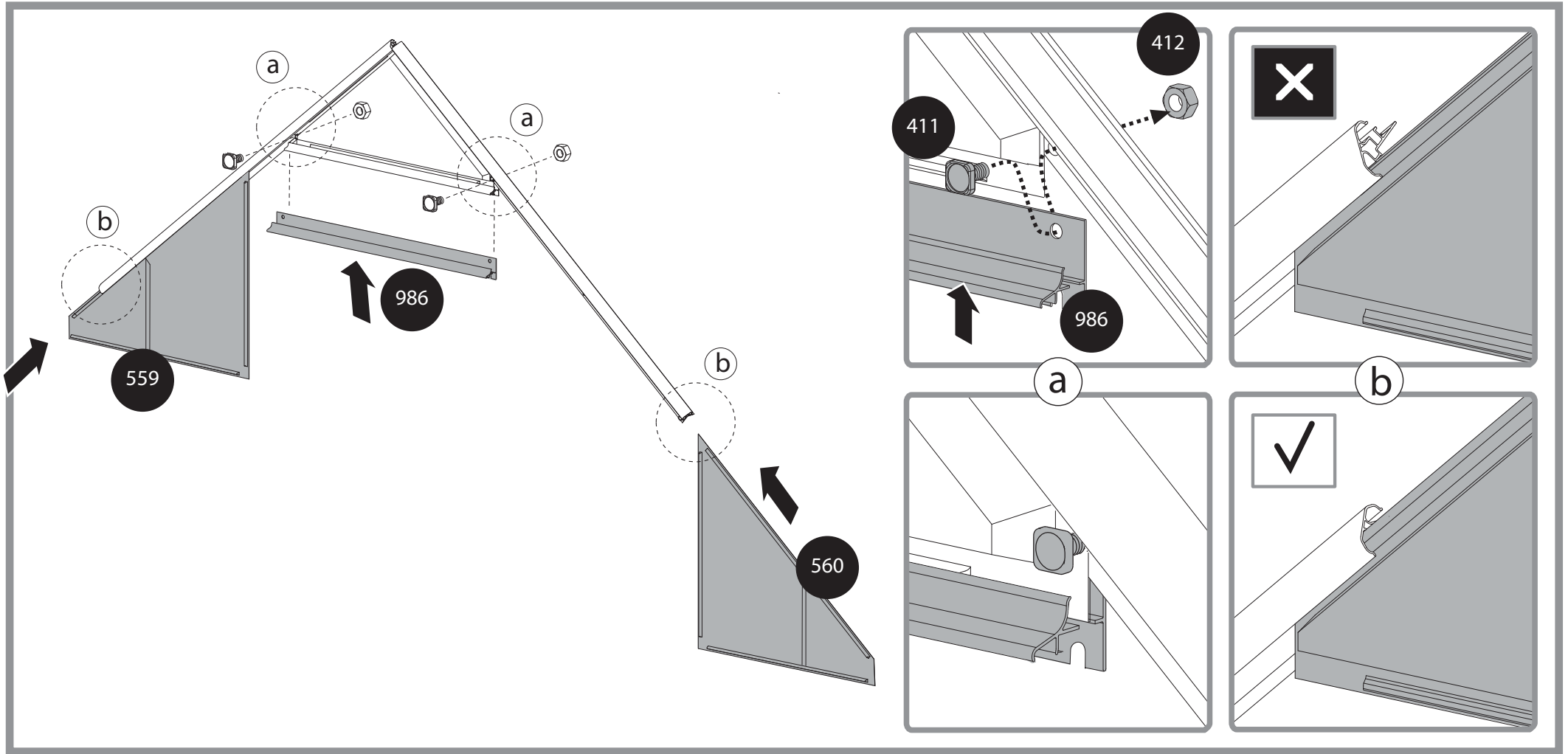
986

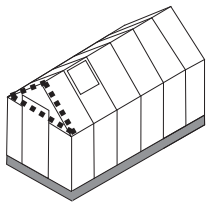


411



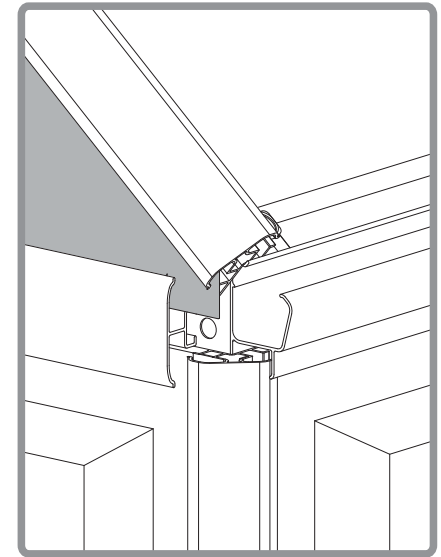
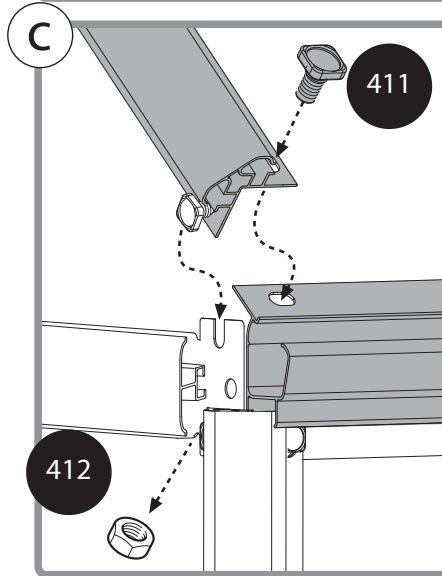
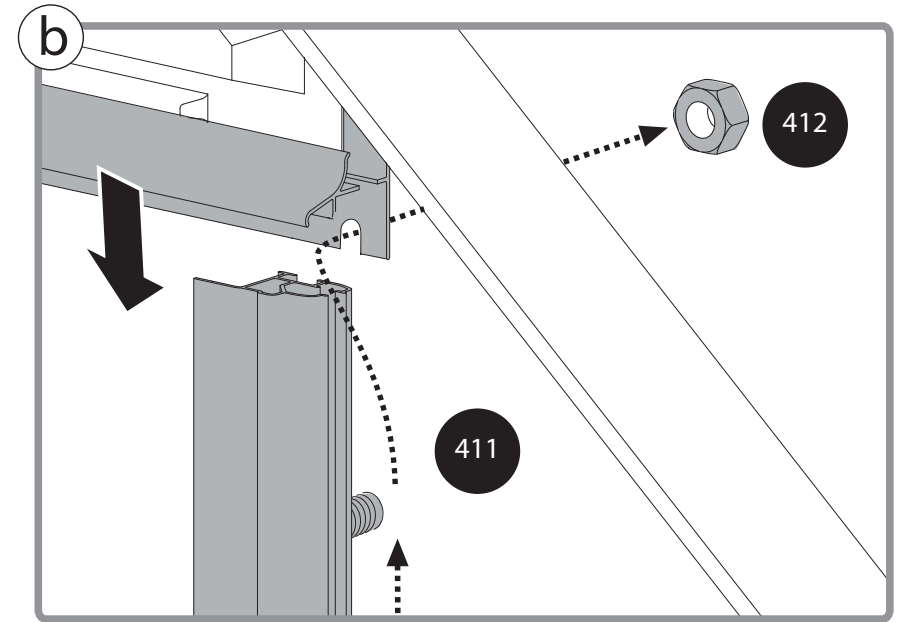
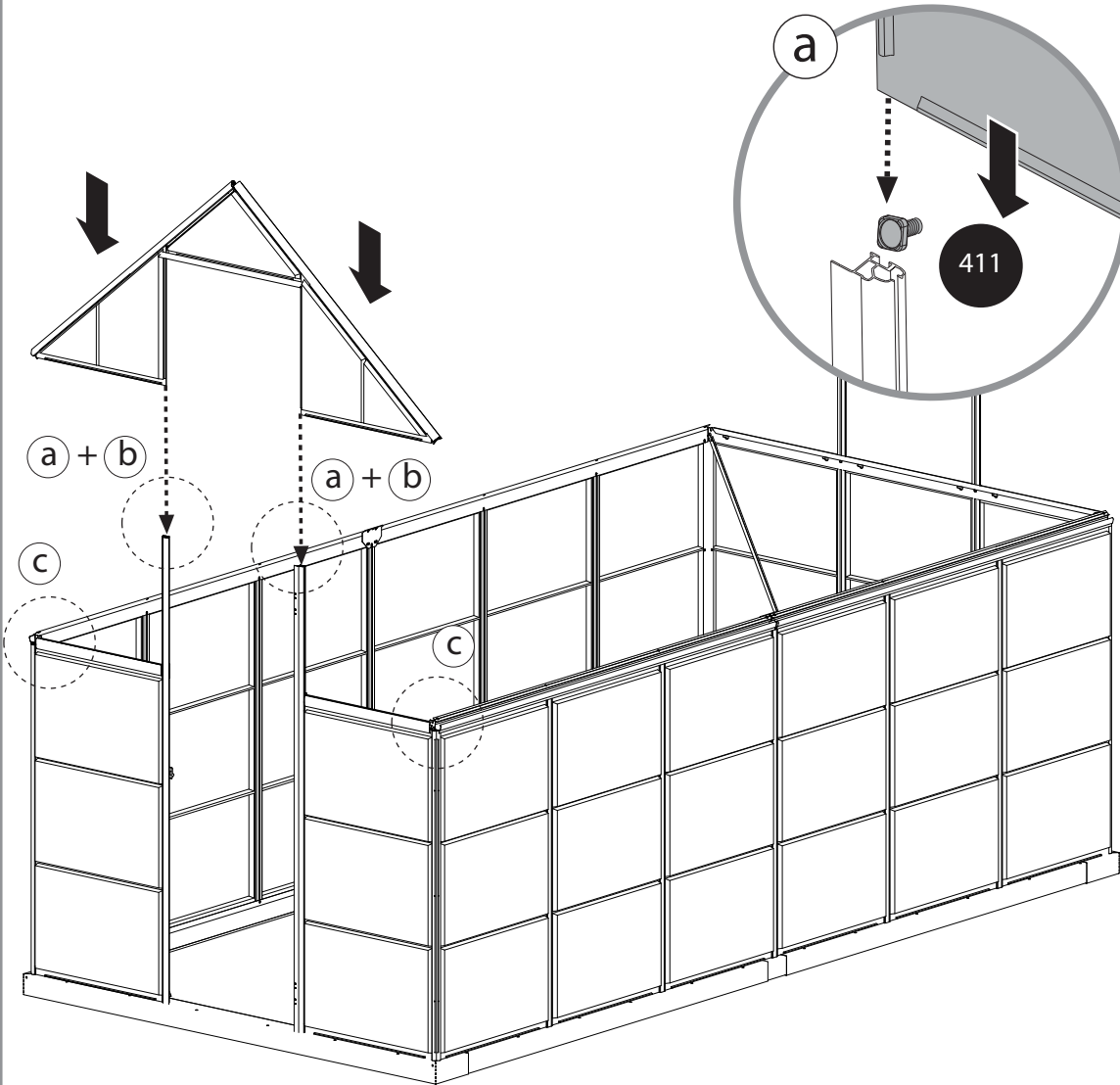
412

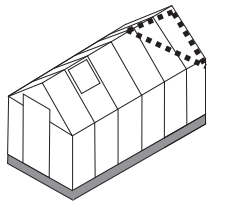




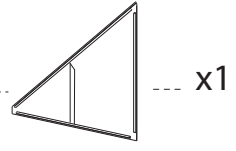
411  x4

412  x4

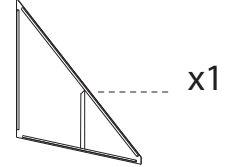




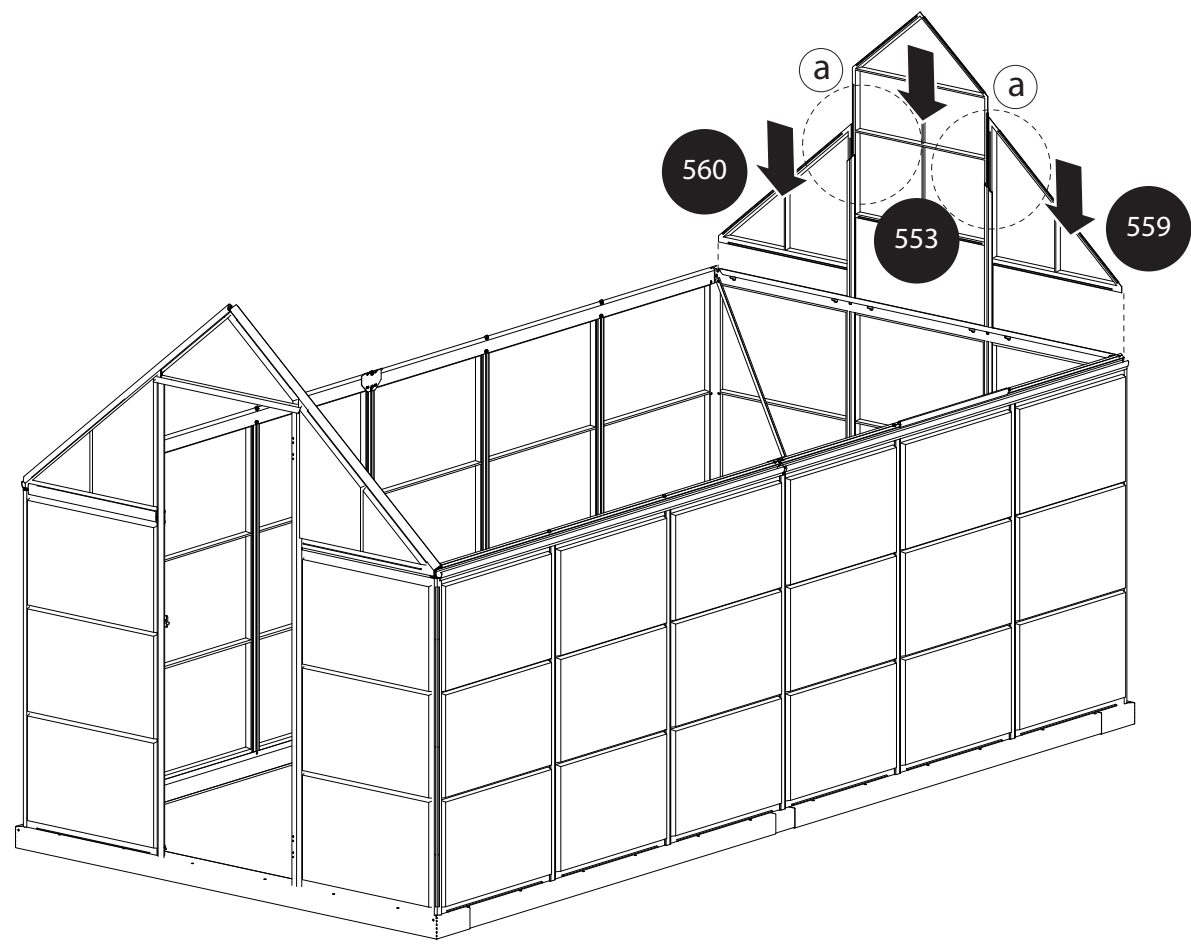
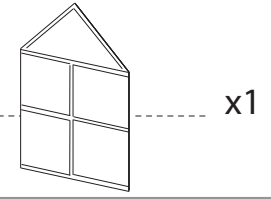
559



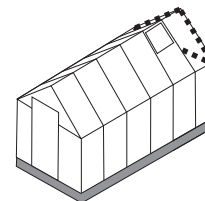
560



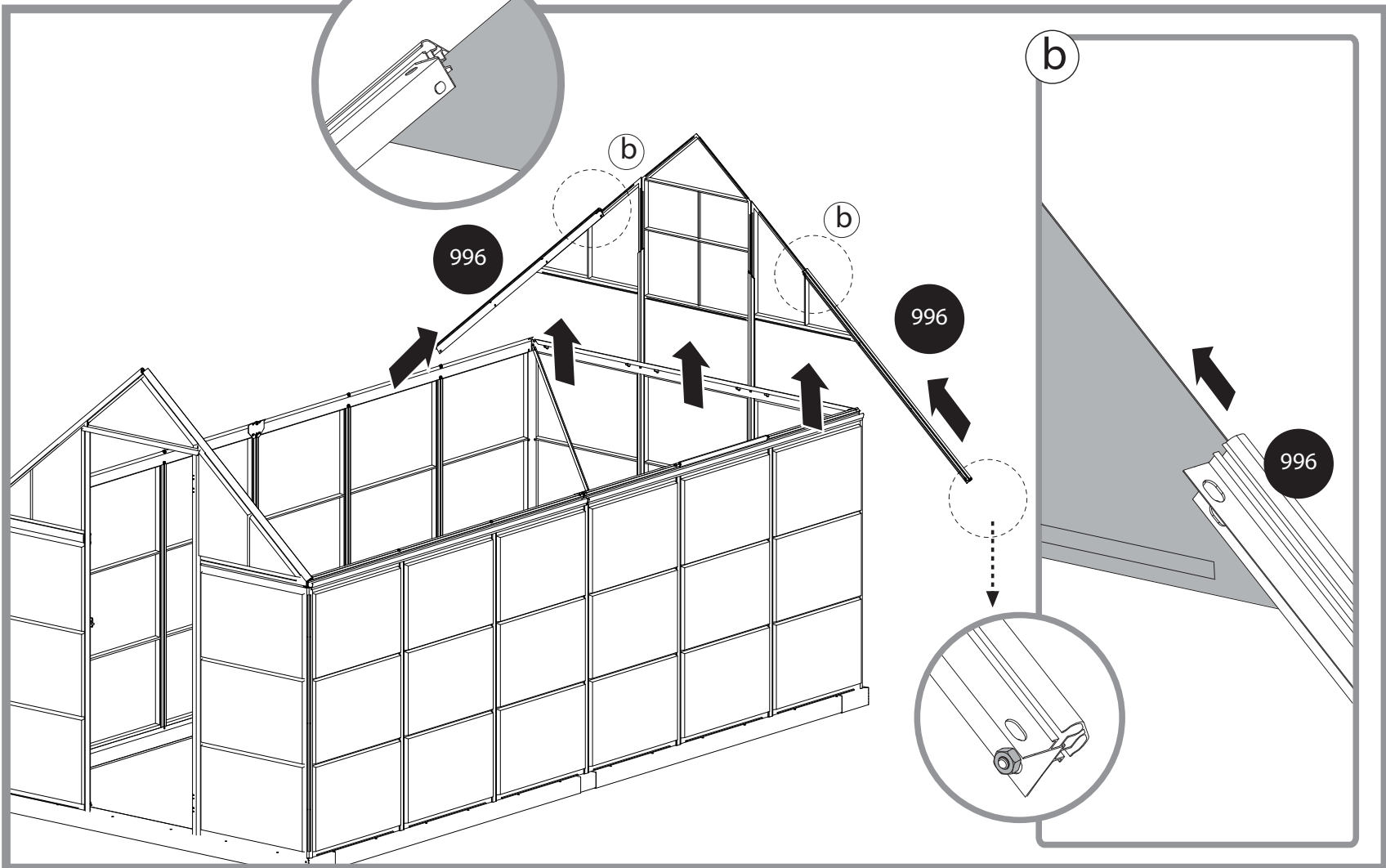
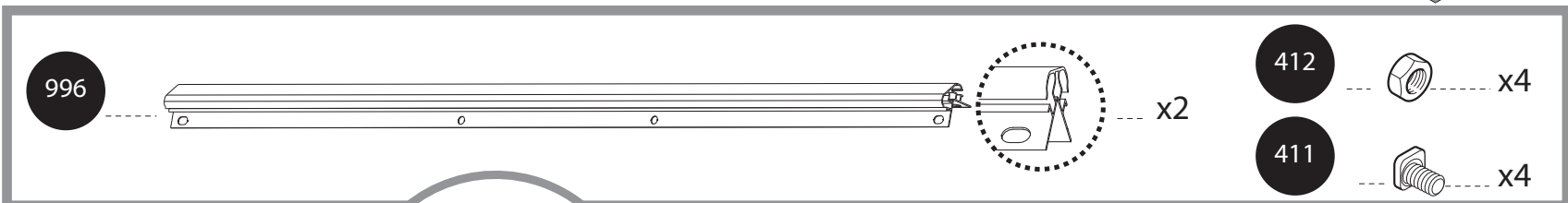
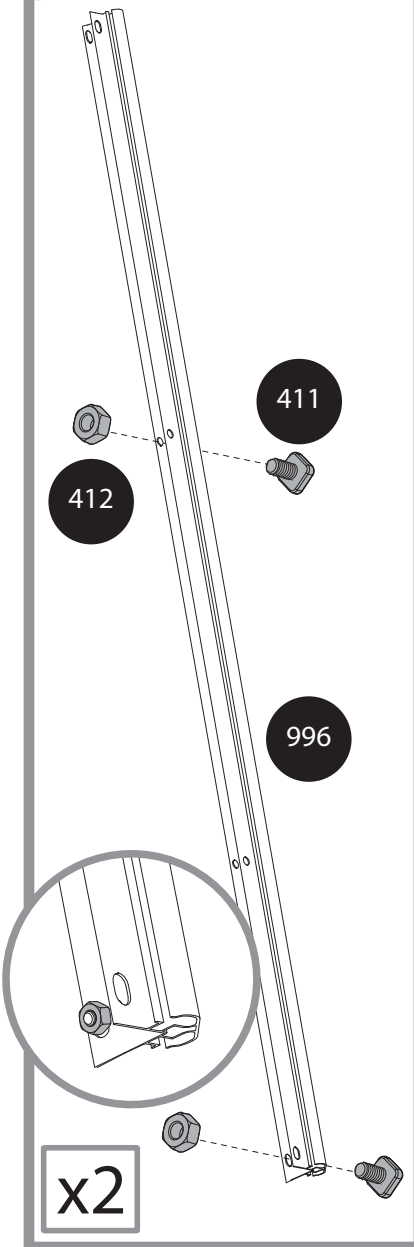
553



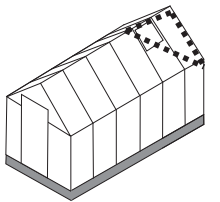
35



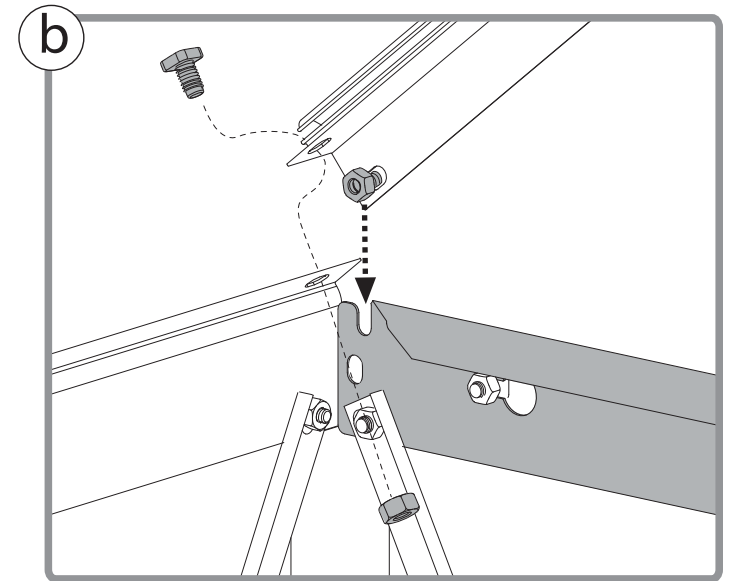
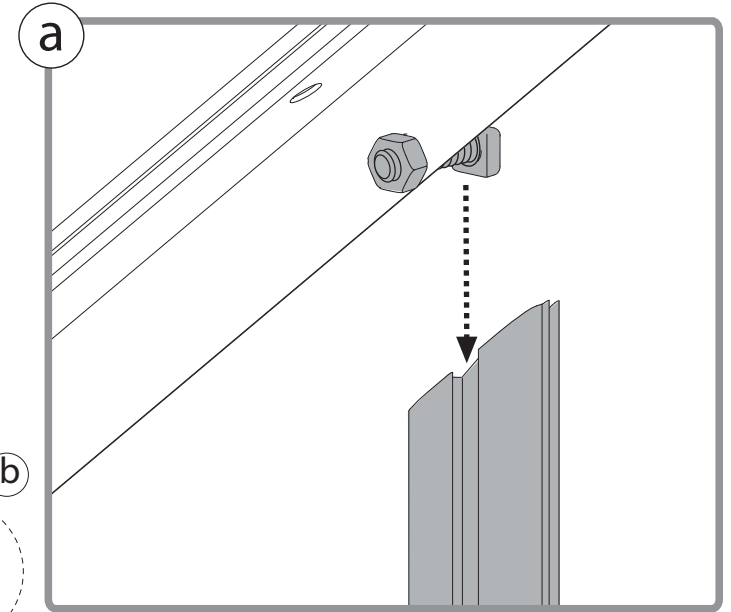
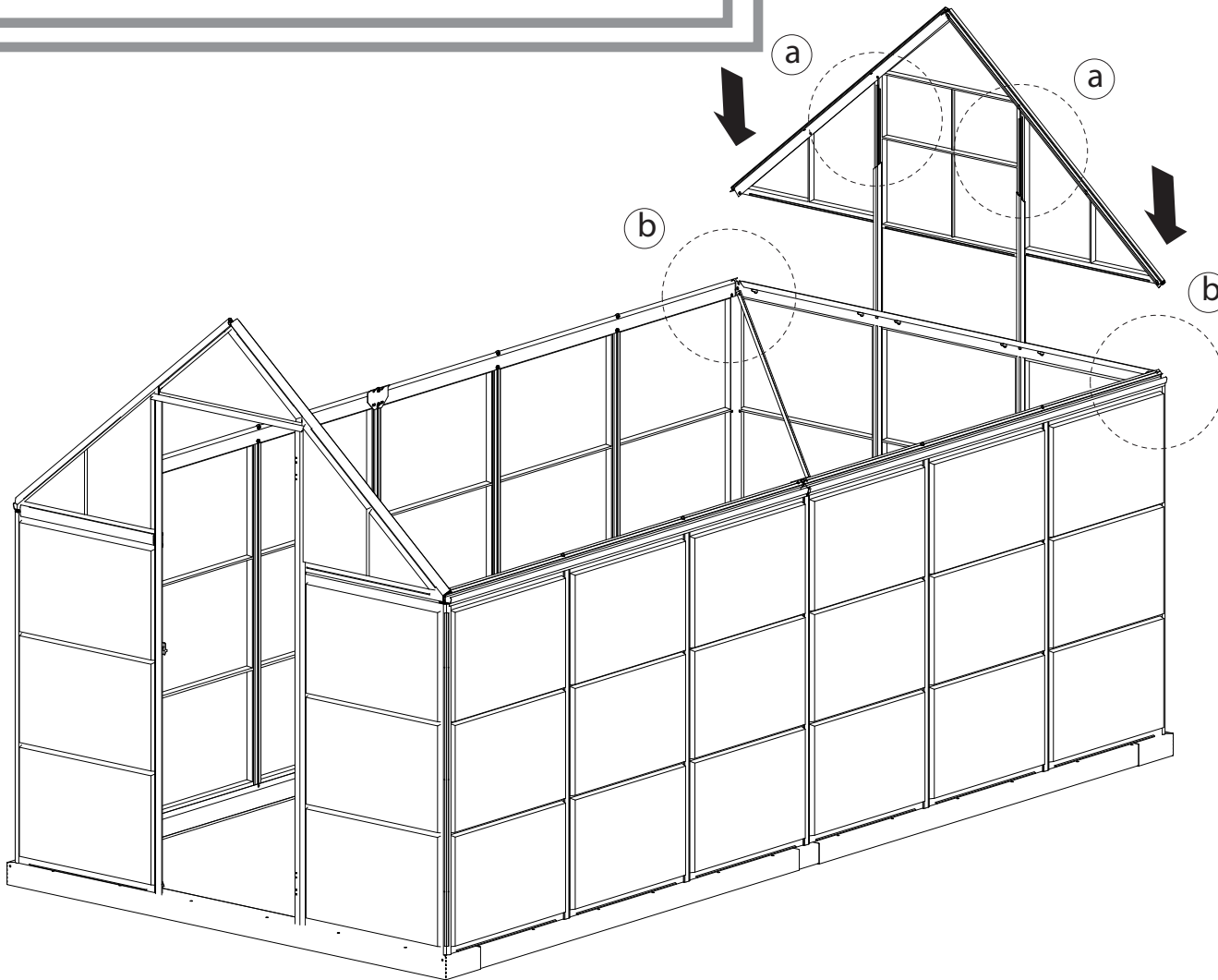
a

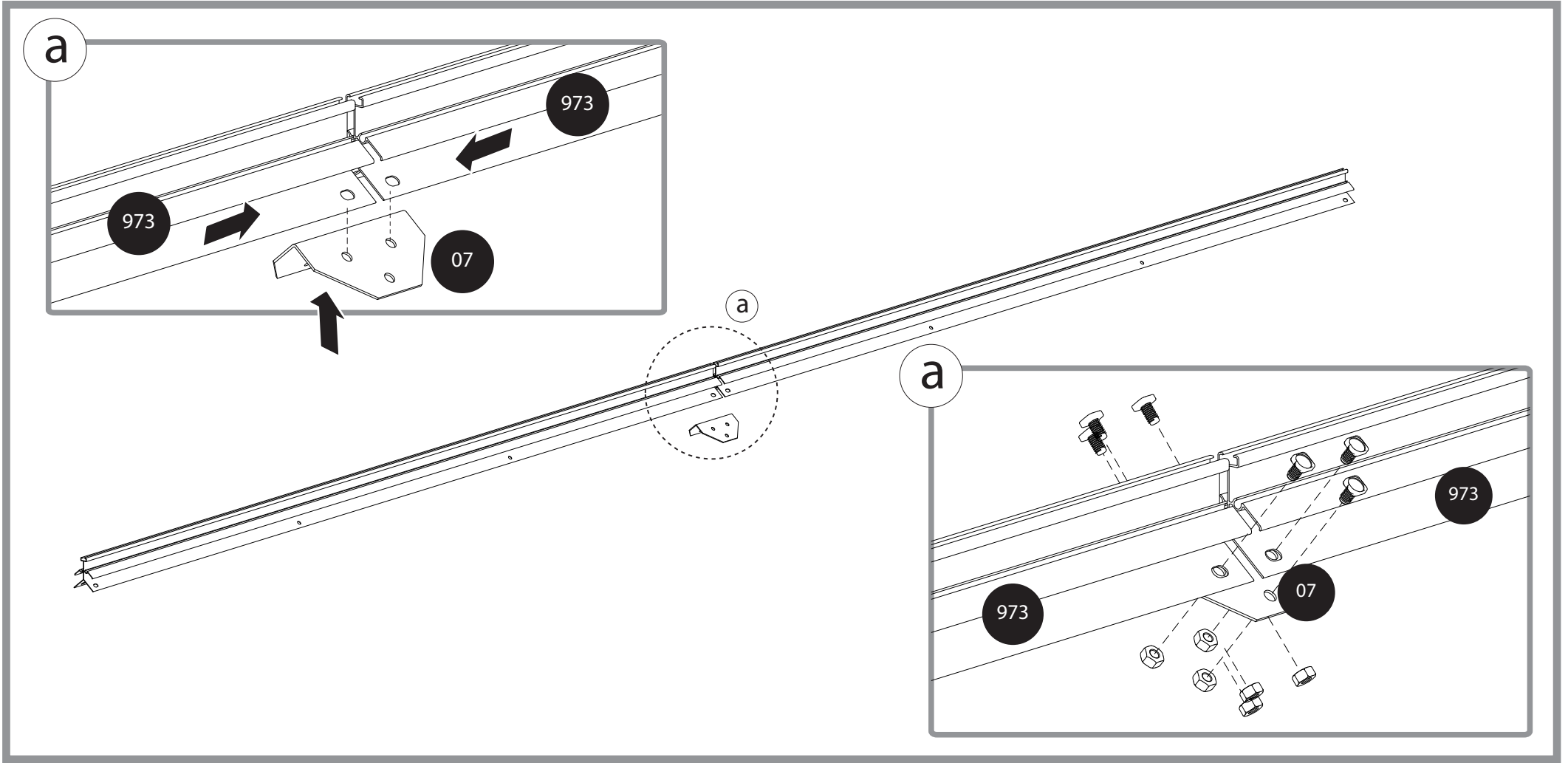
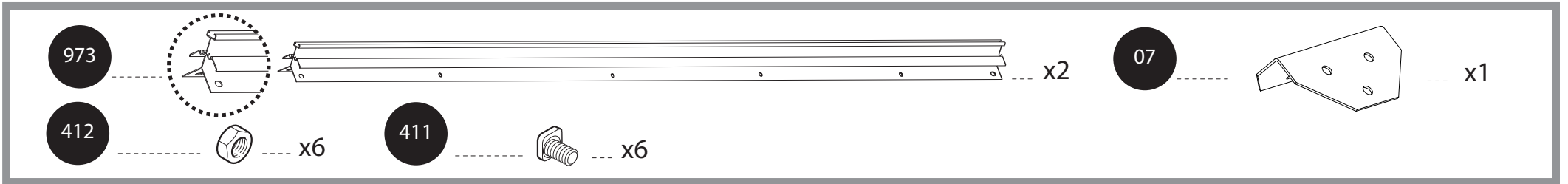
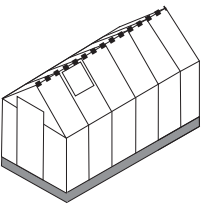


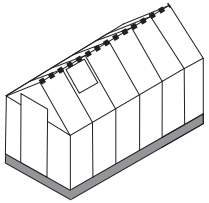
36



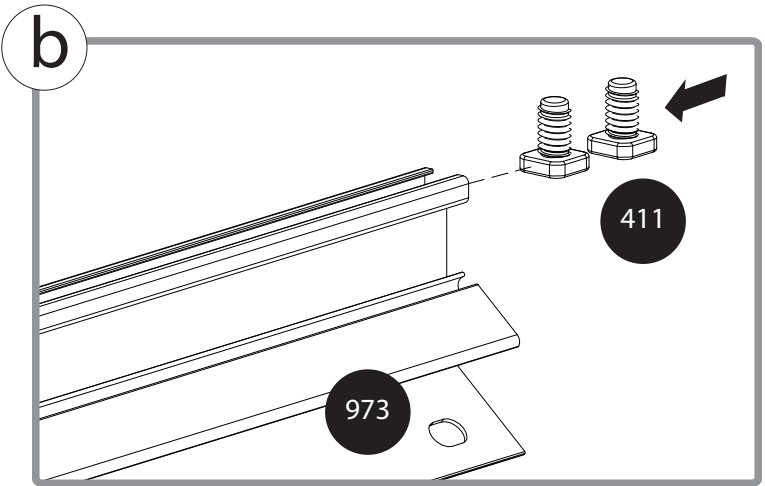
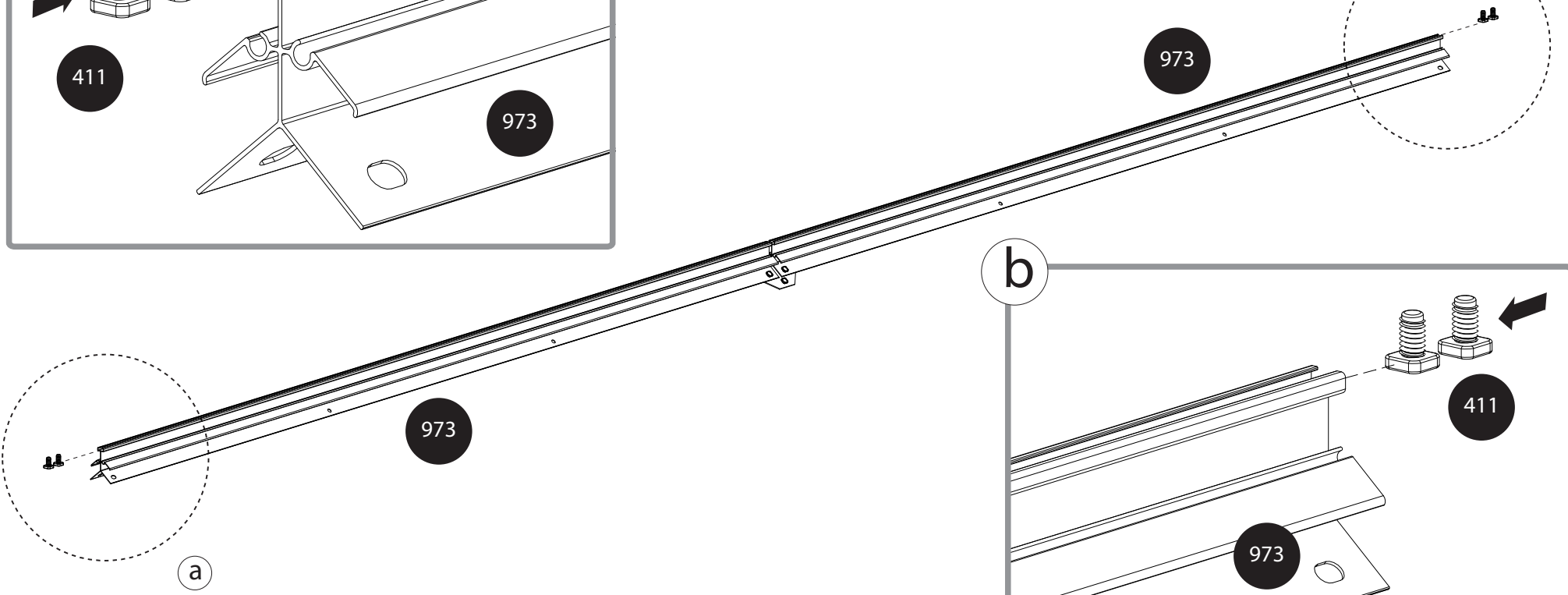
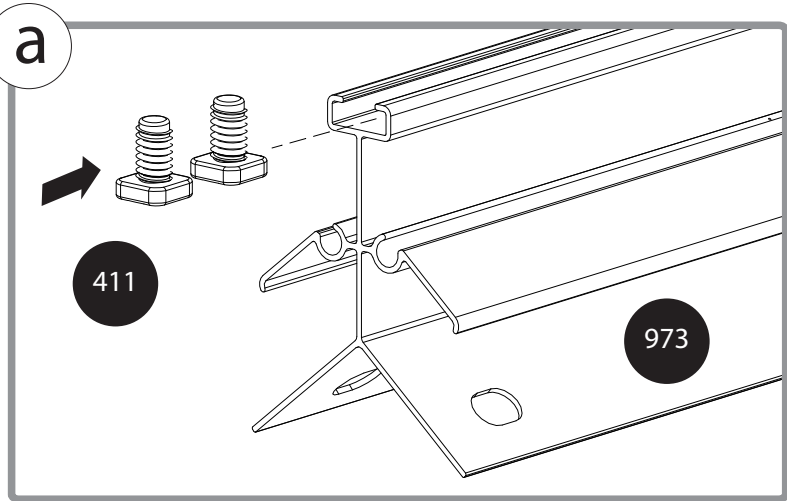
412 x2 411 x2

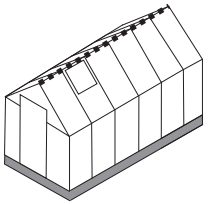




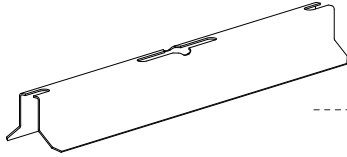


411 x4





06



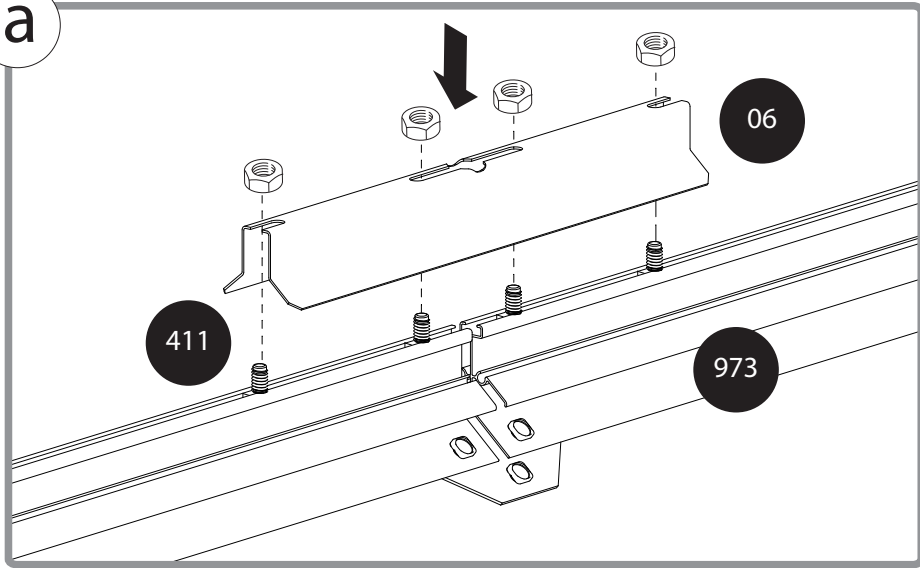
x1

412



x4

a

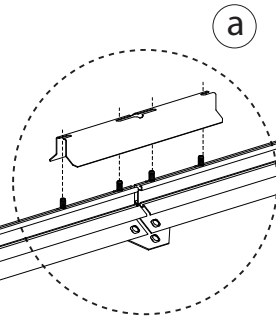


411

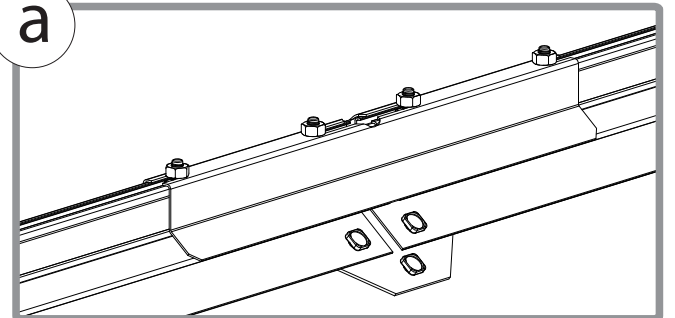
973

973

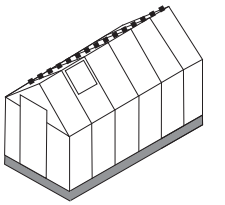
a



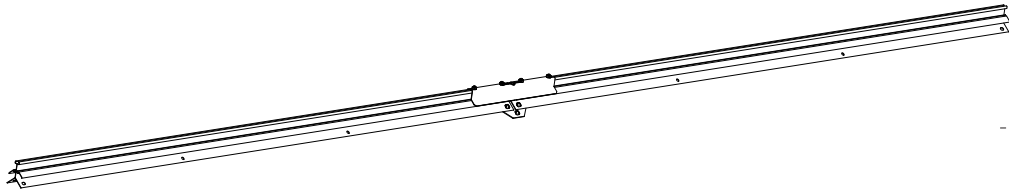
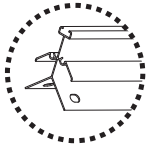
a



973

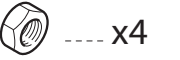


973

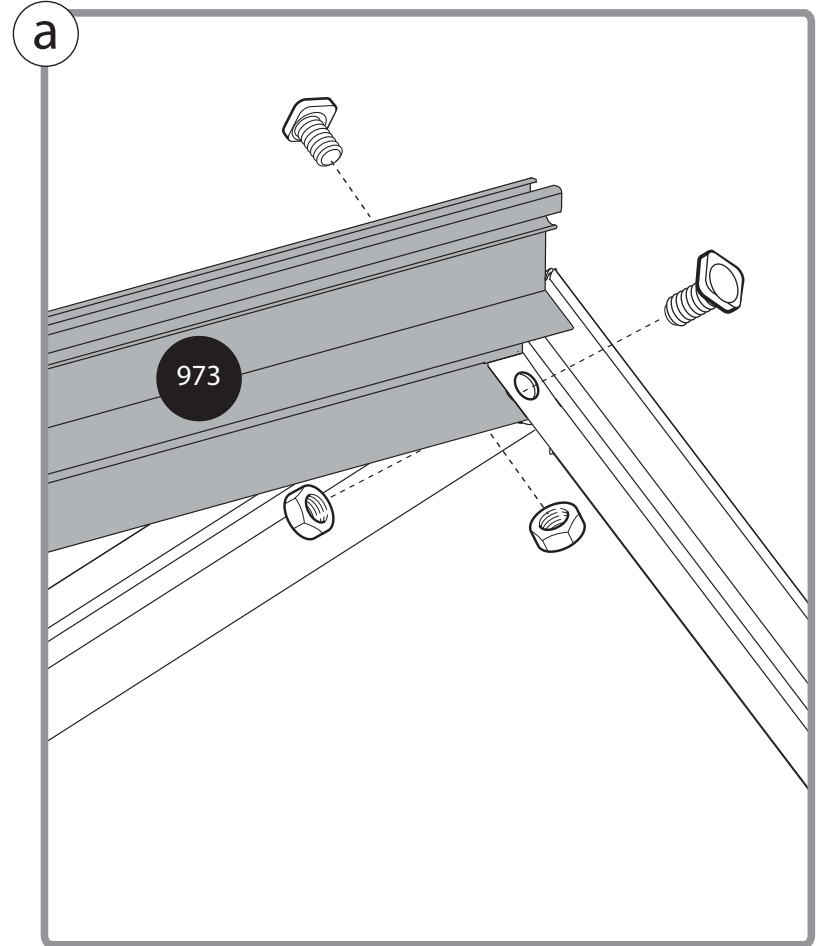
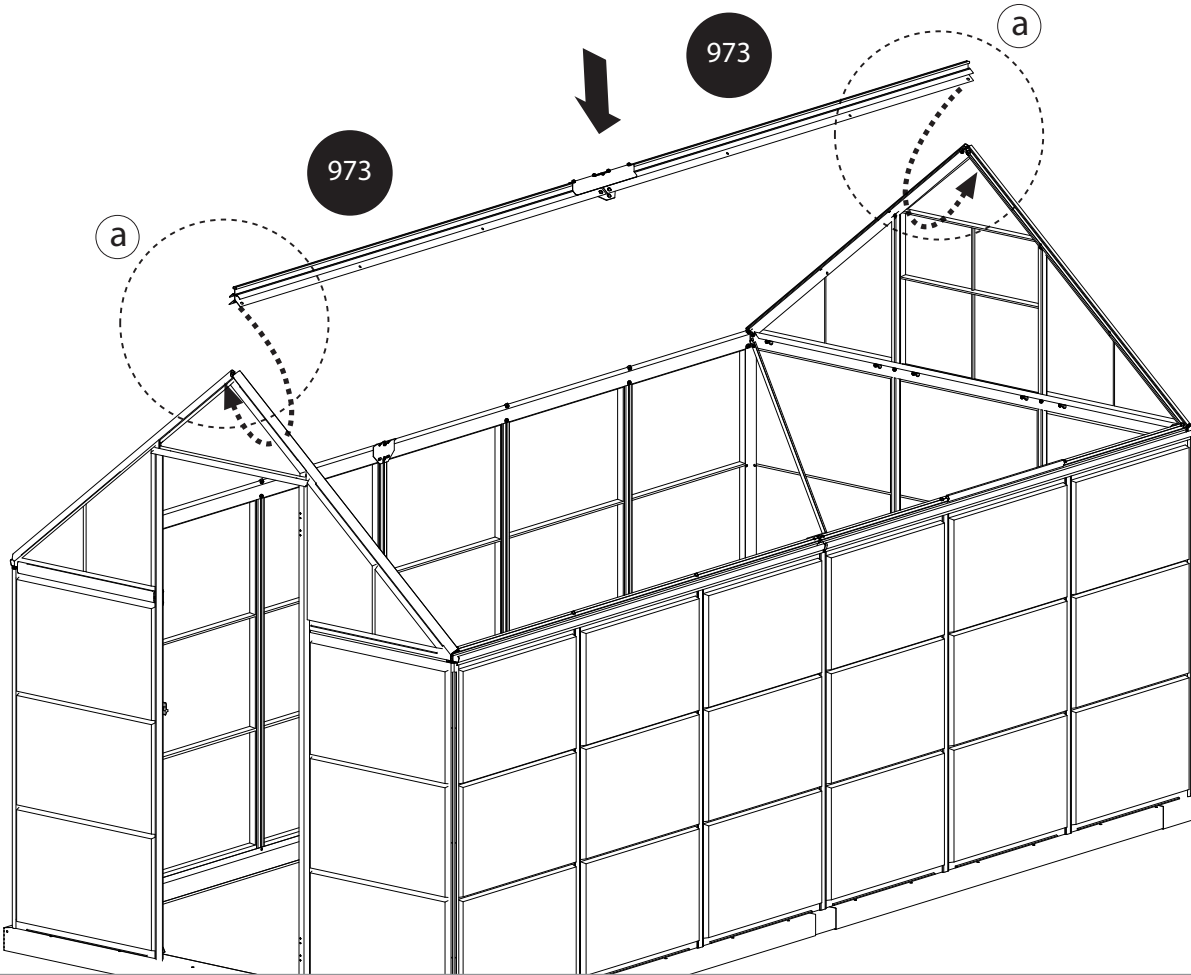
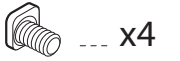


... x1

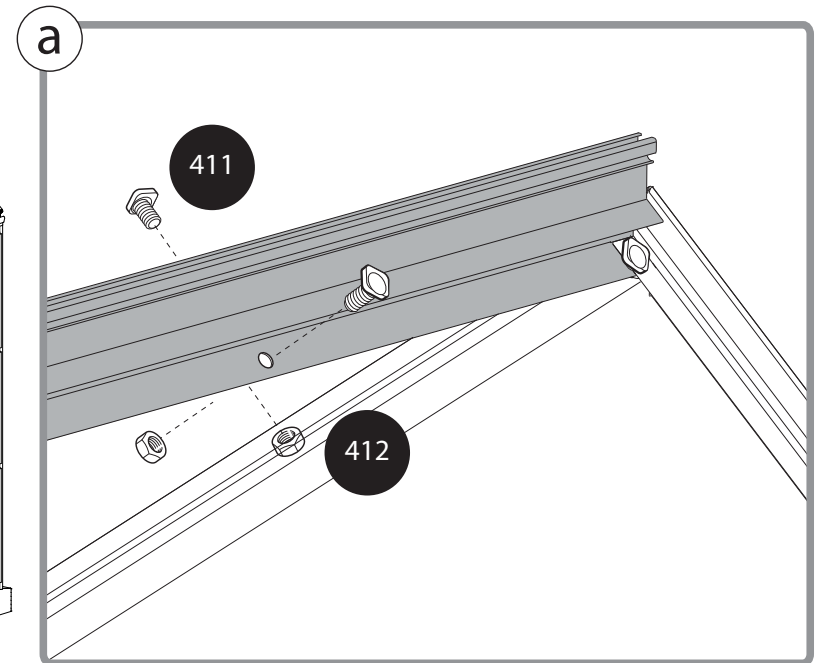
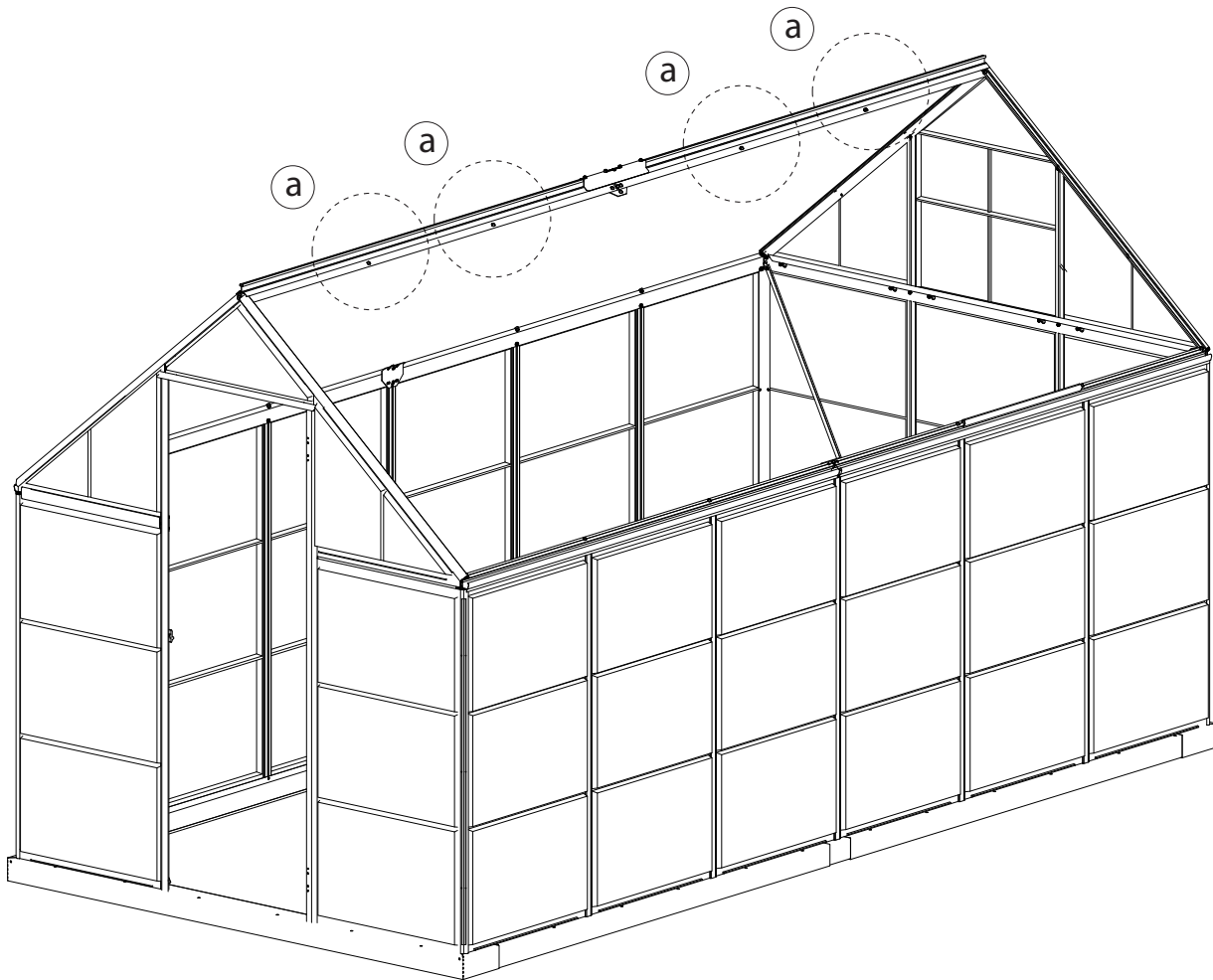
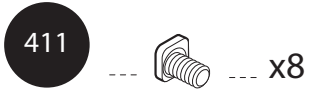
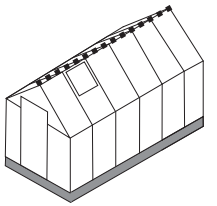
412

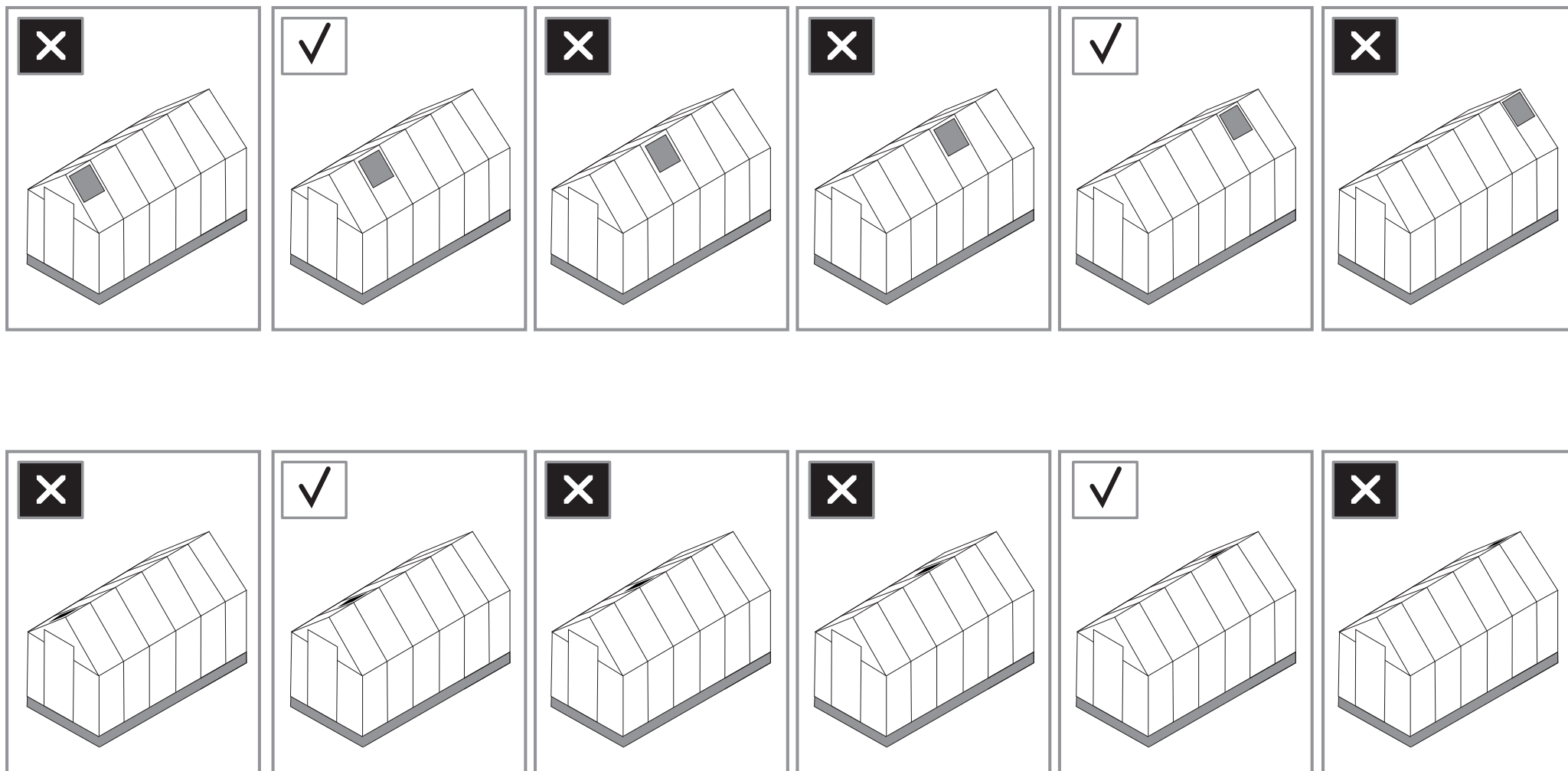
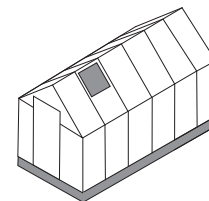


411

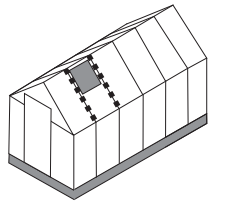


41

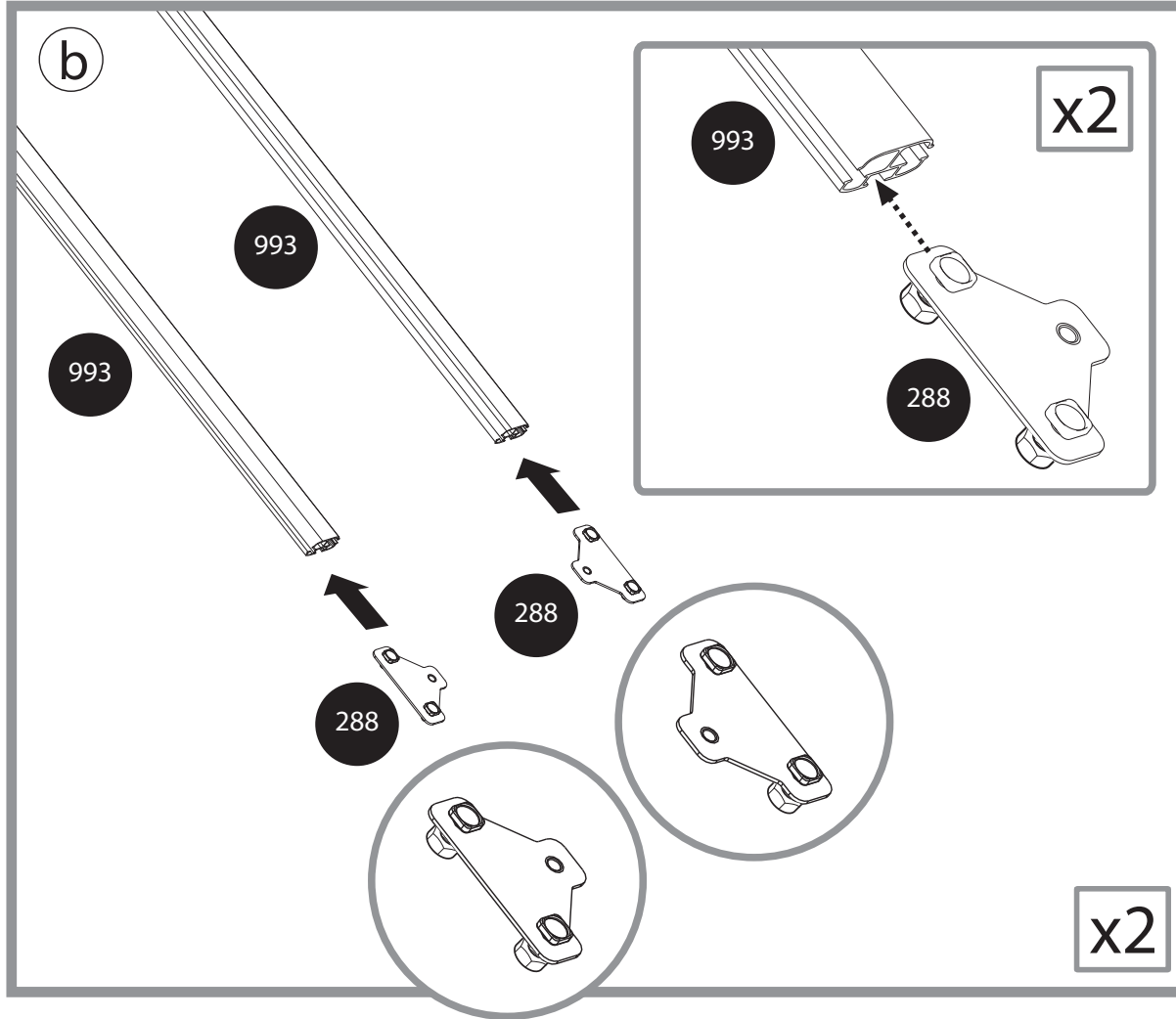
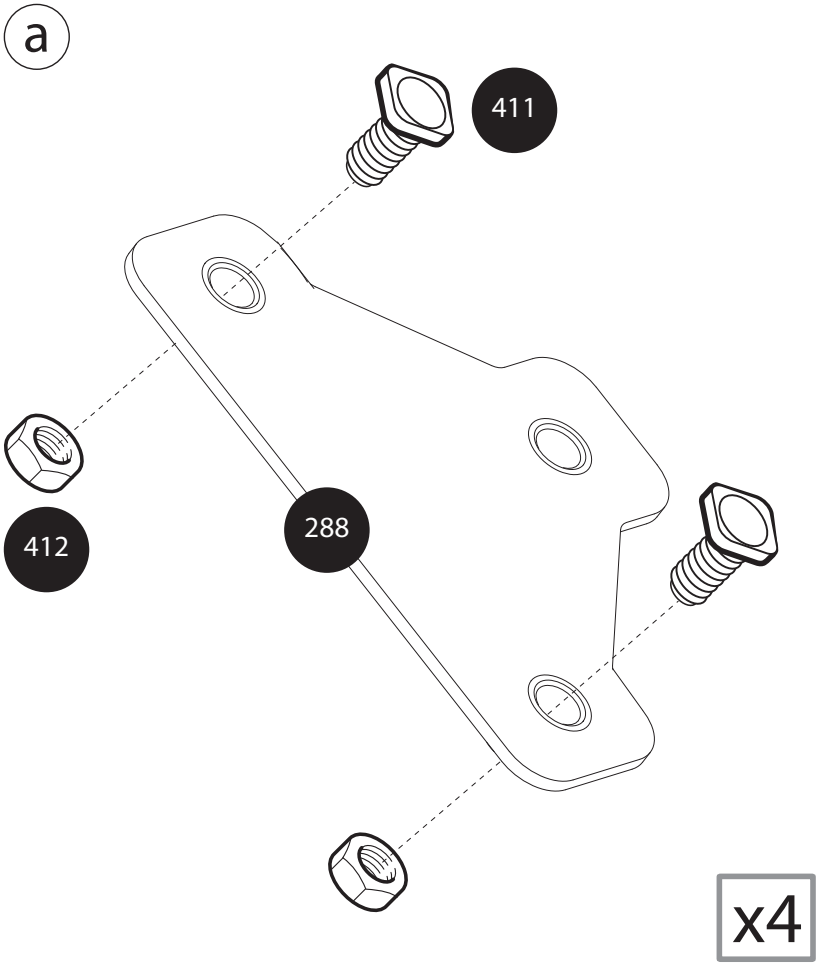


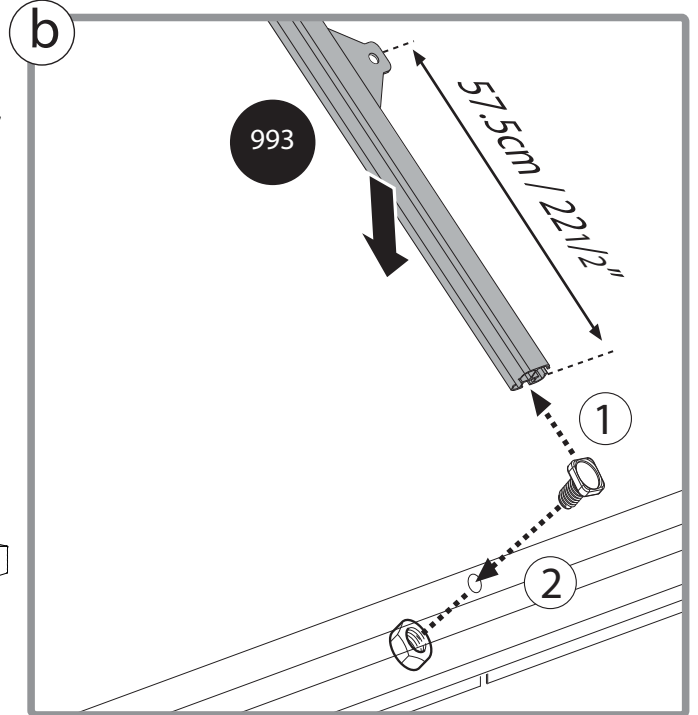
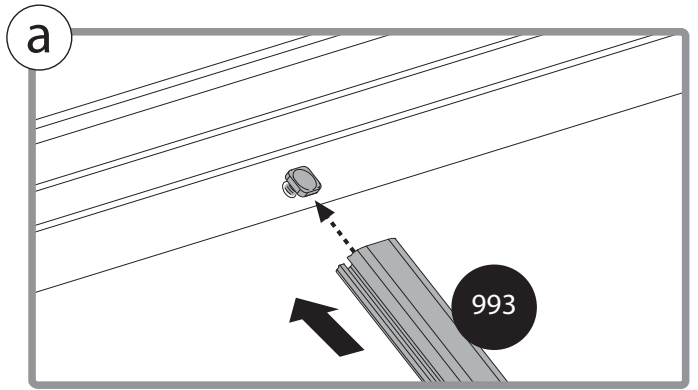
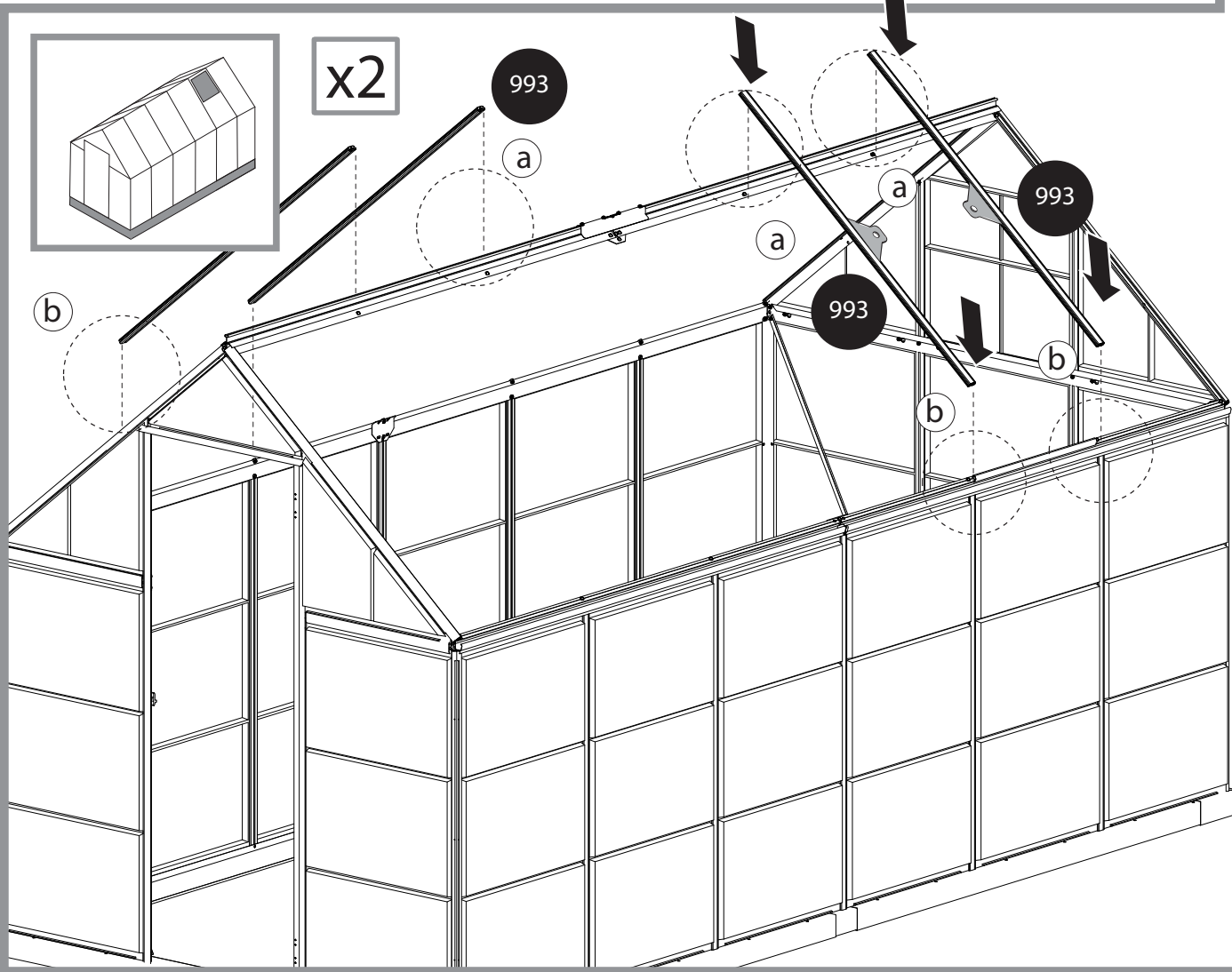
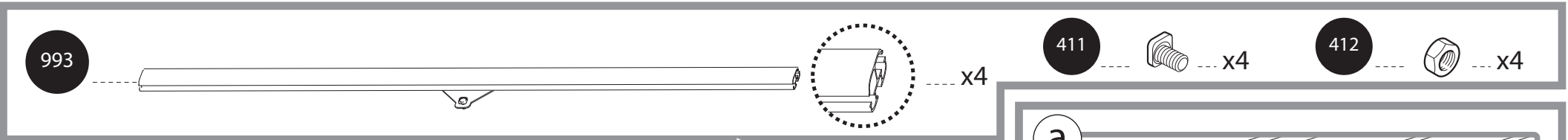
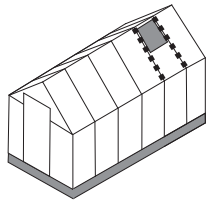


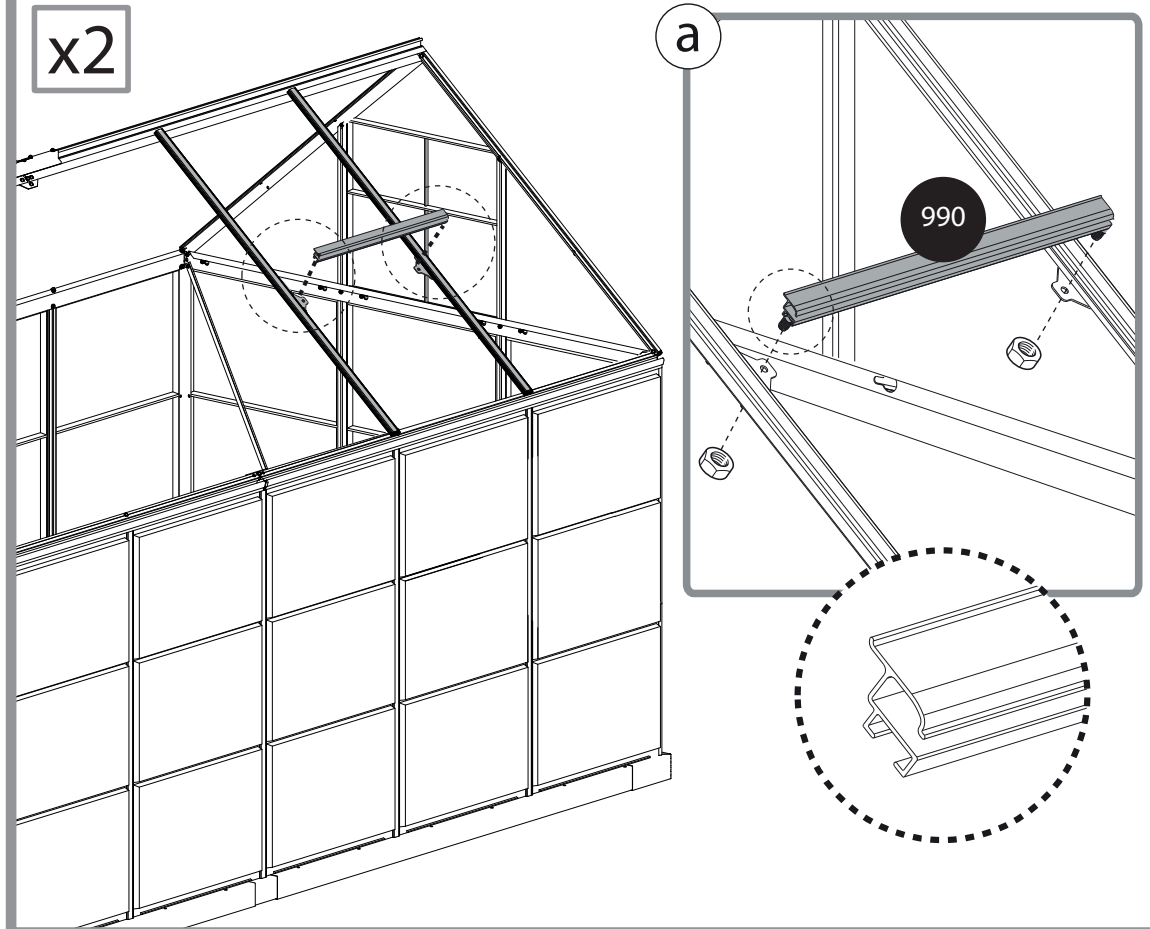
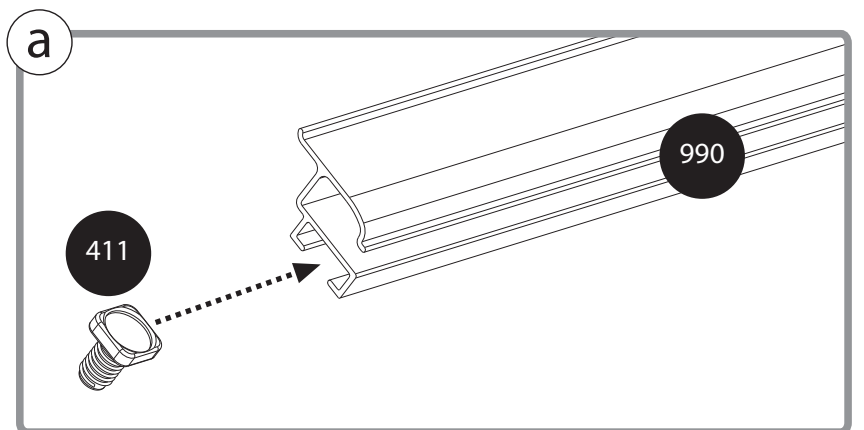
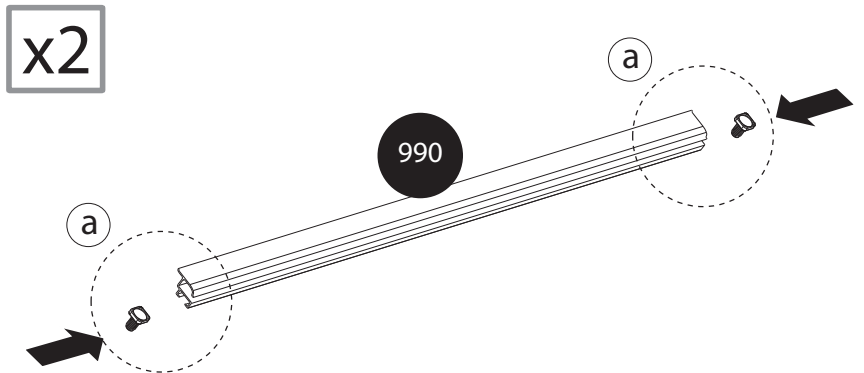
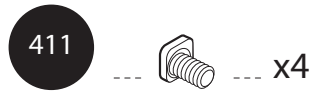
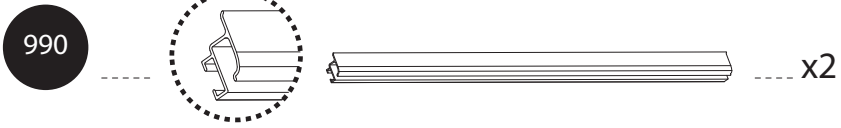
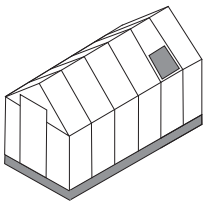
43

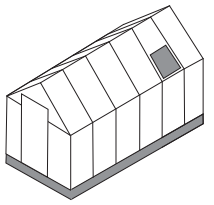


- 288 x4
- 993 x4
- 411 x8
- 412 x8

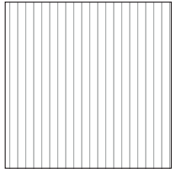




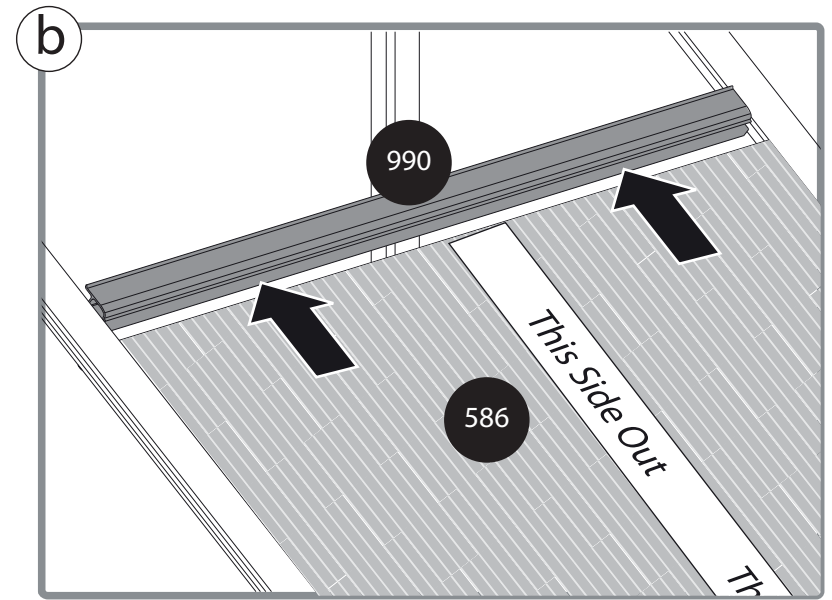
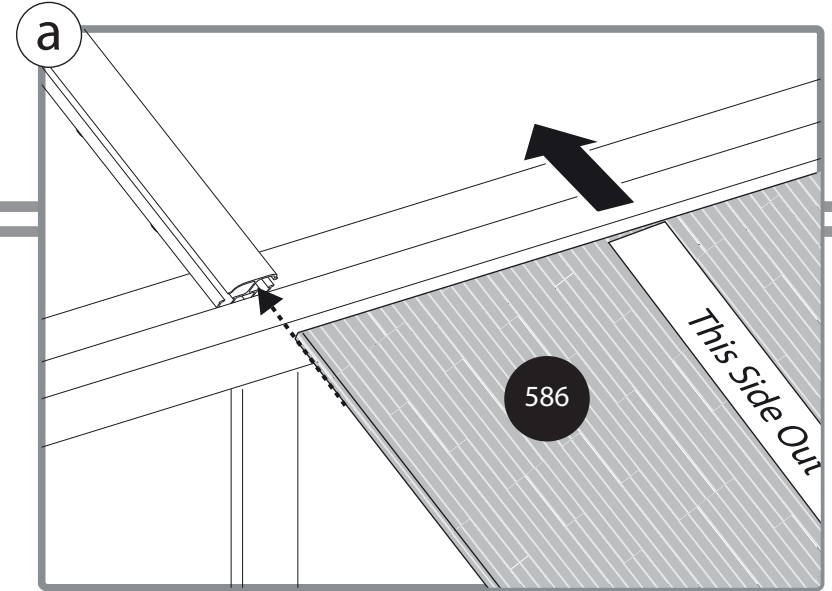
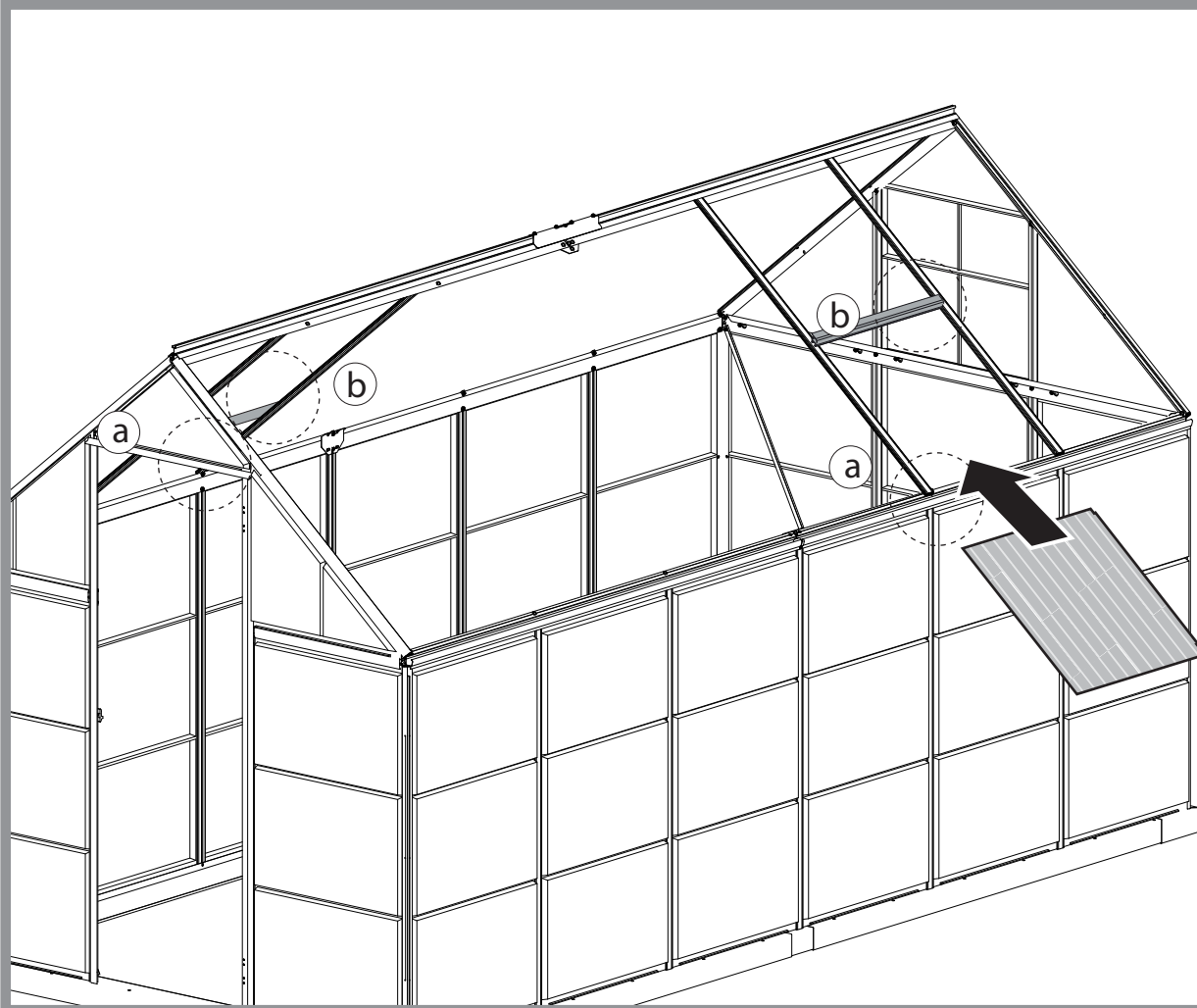


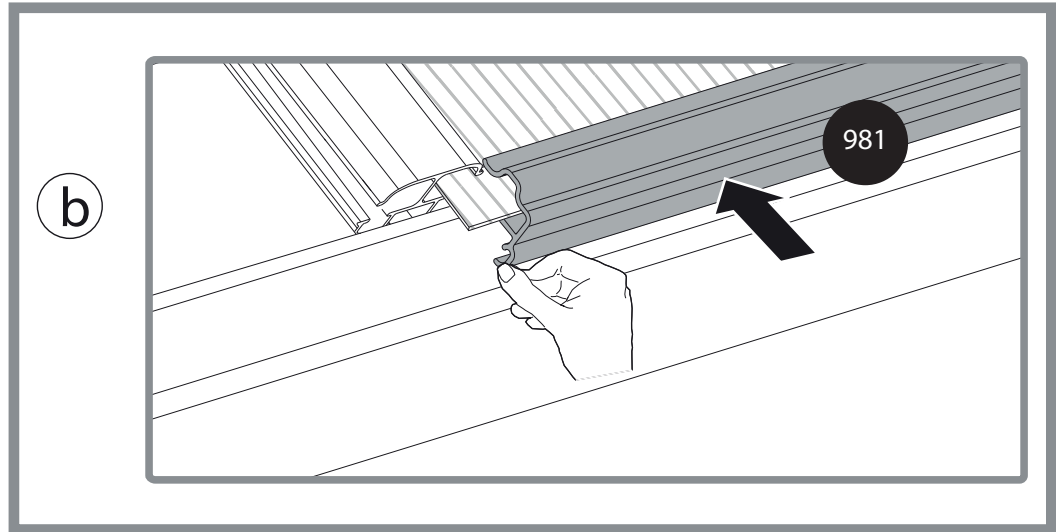
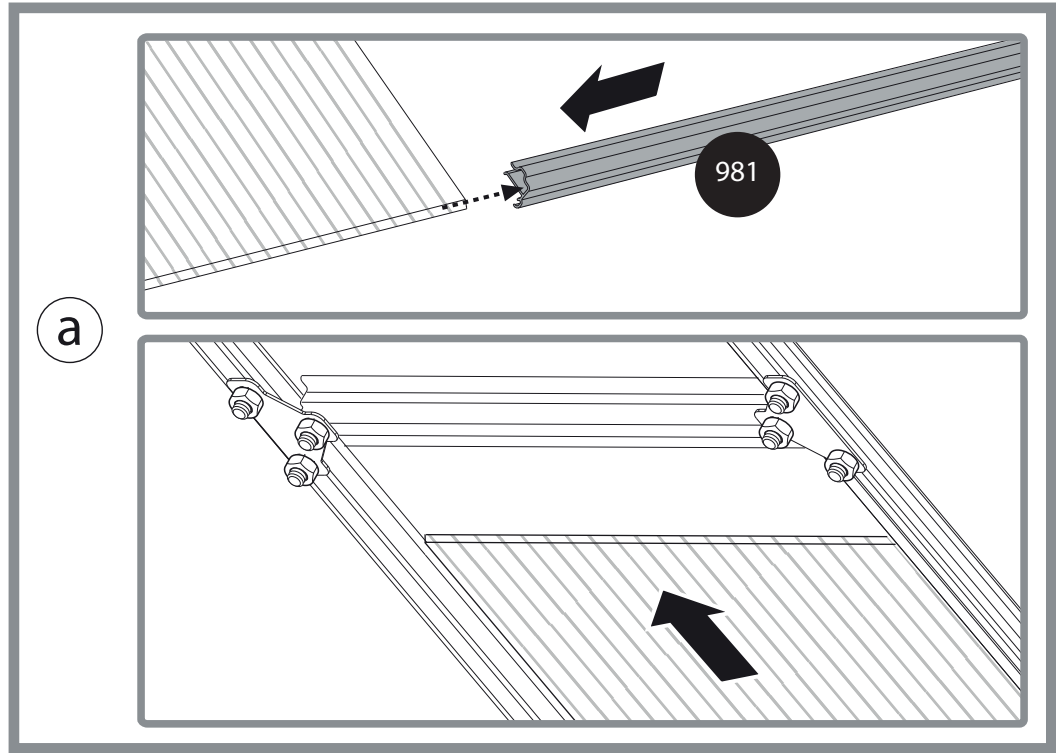
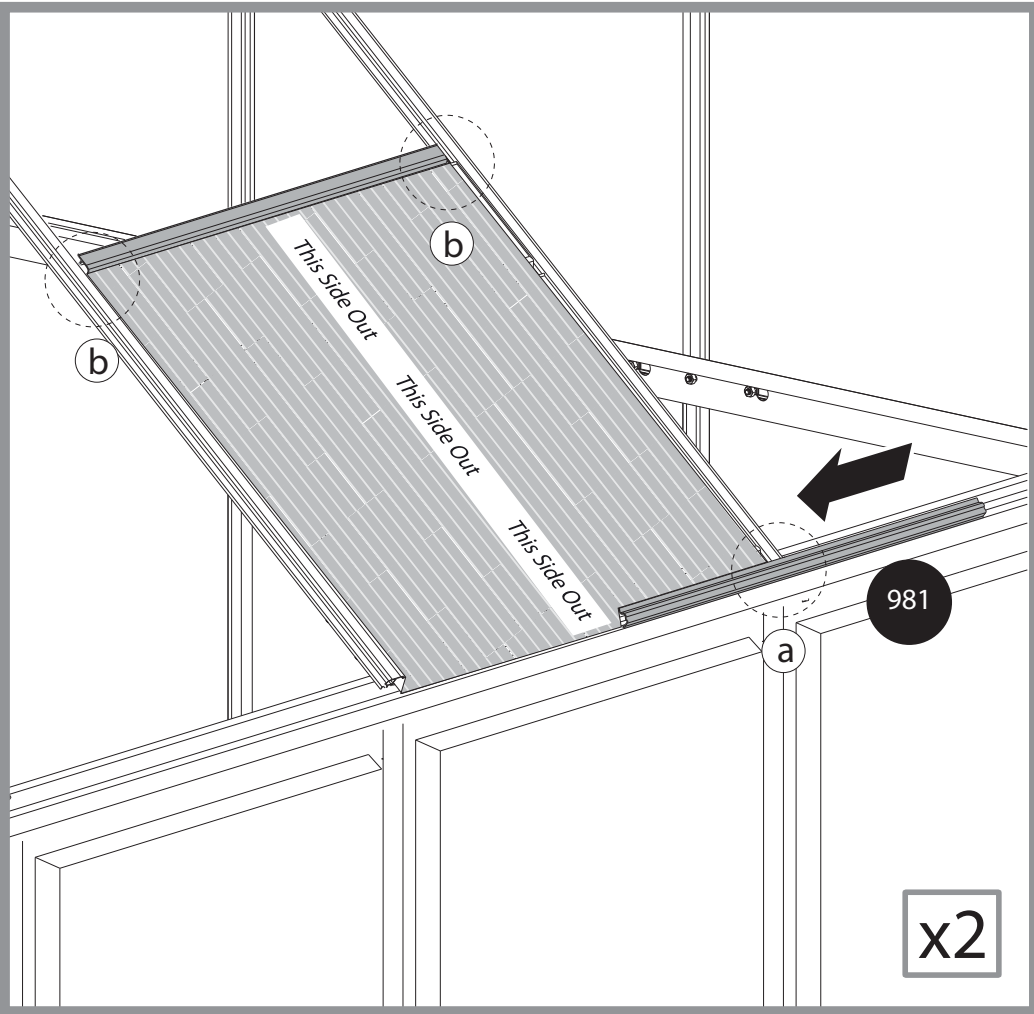
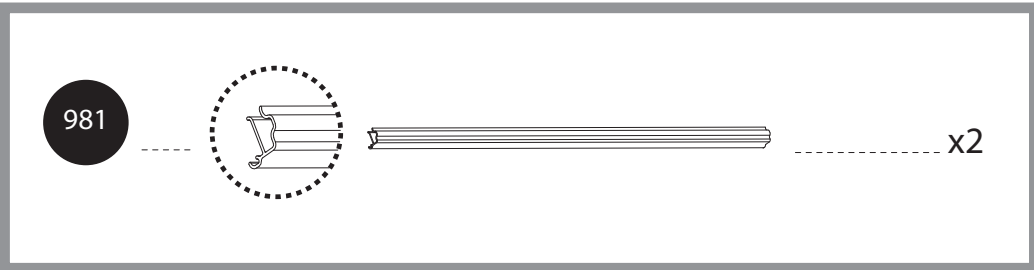
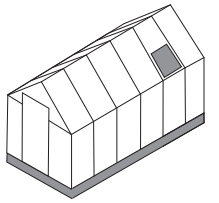


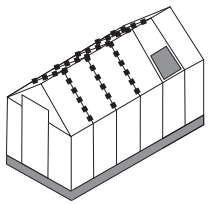
586



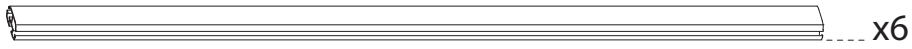
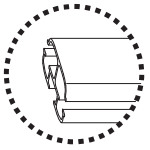
x2







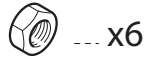
993



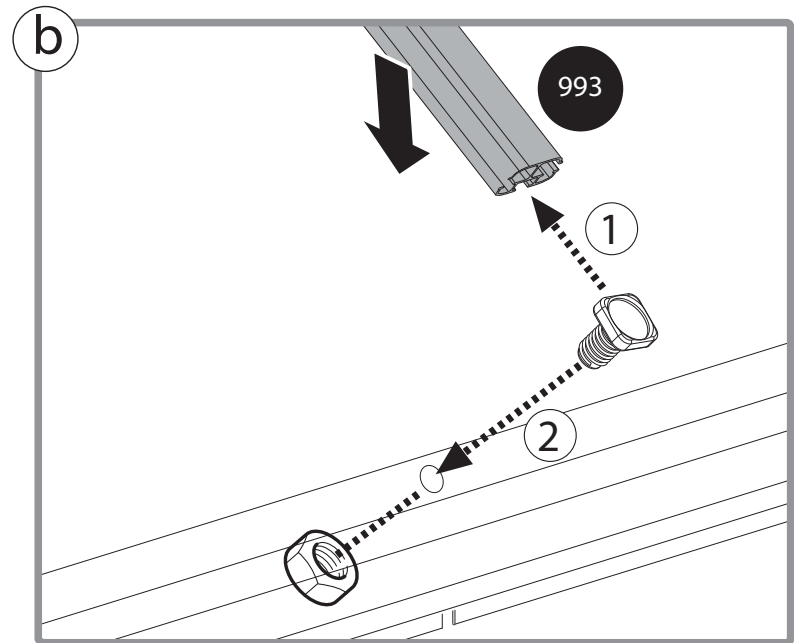
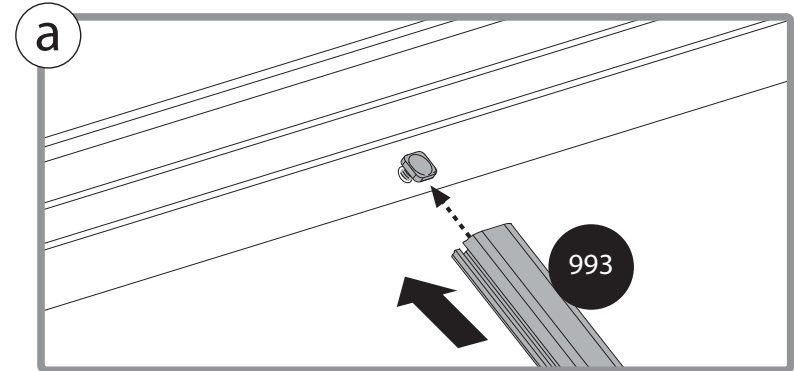
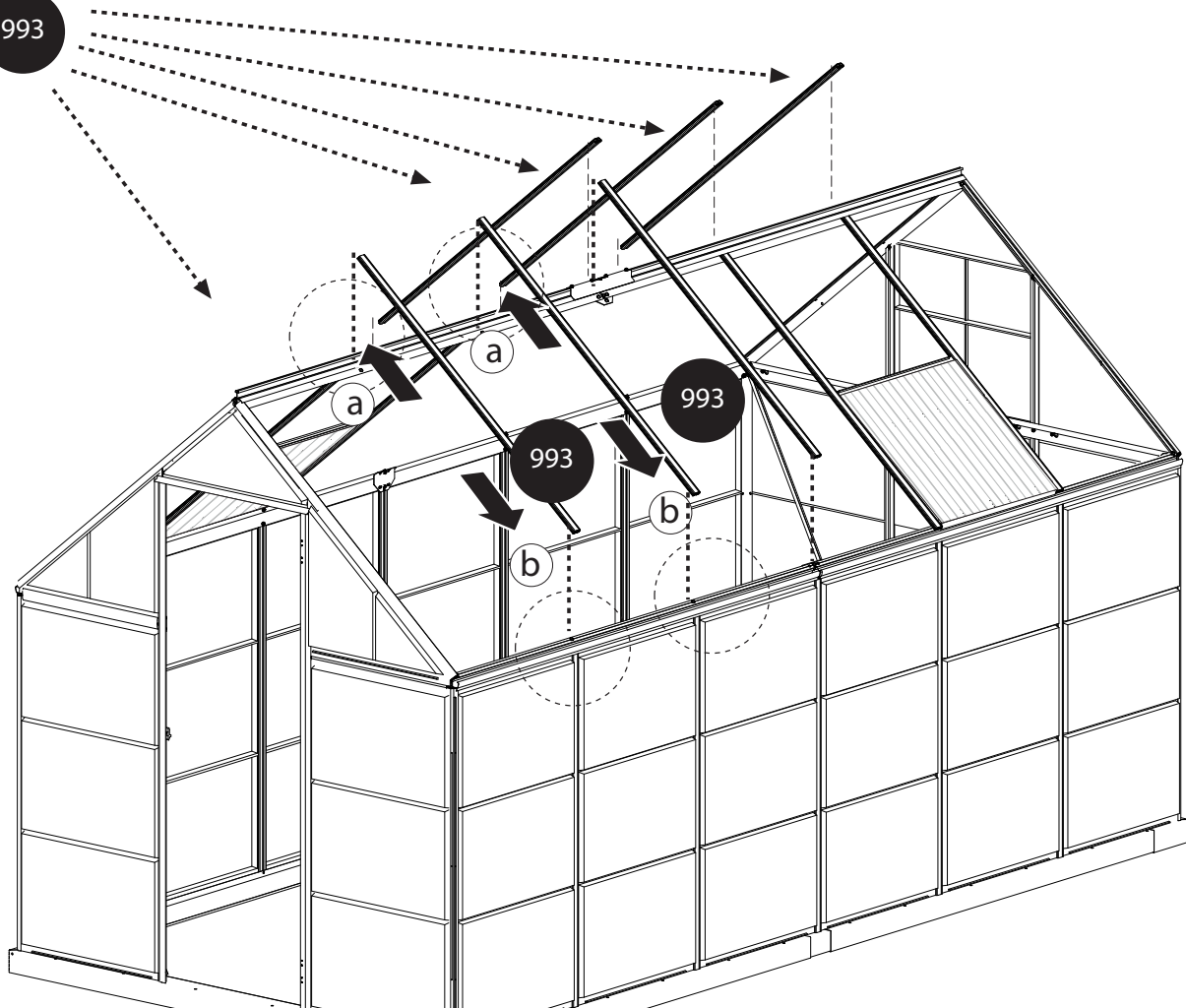
411

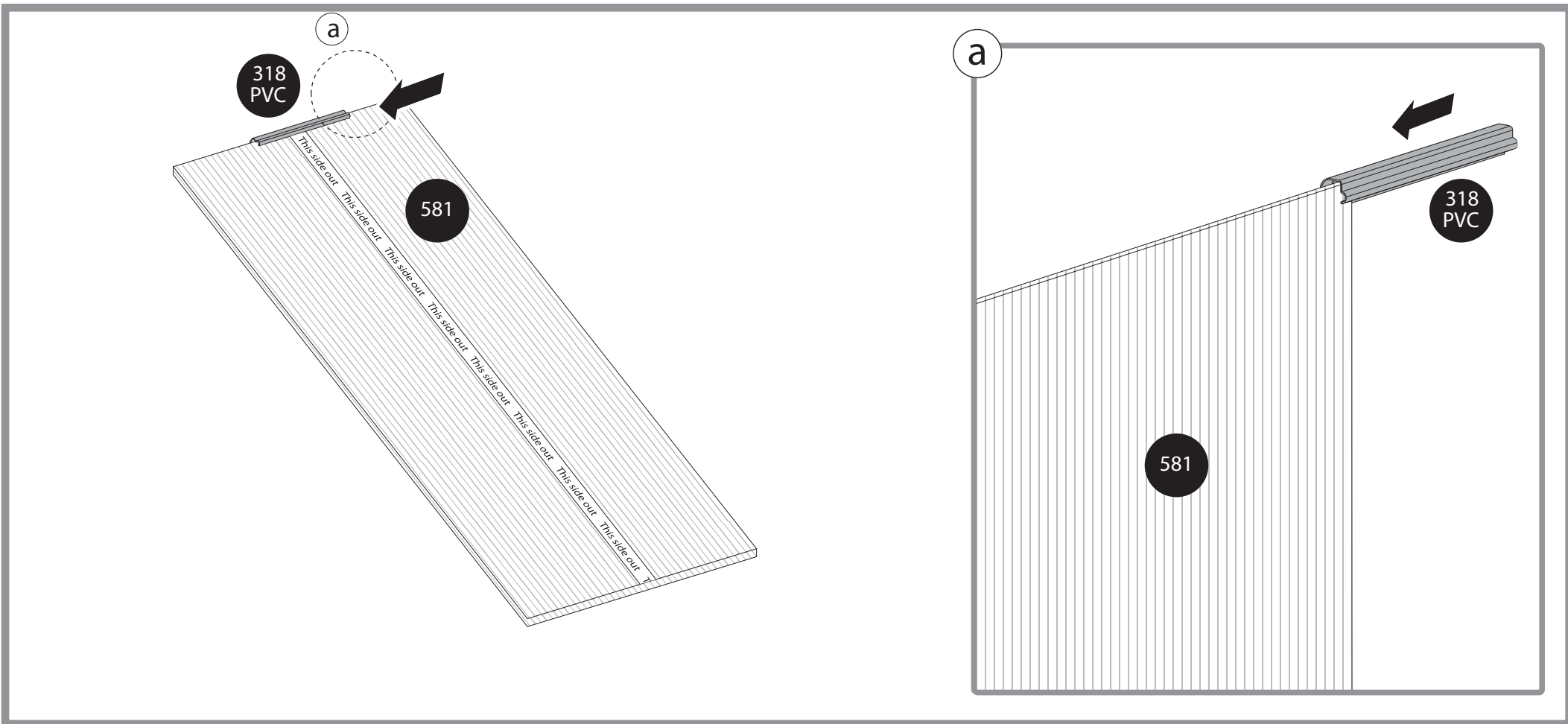
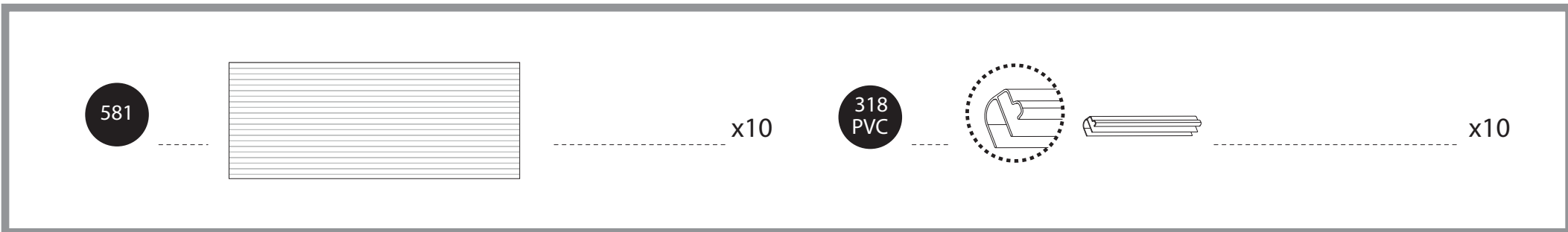
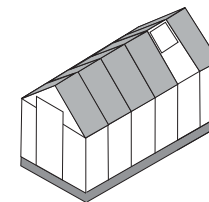


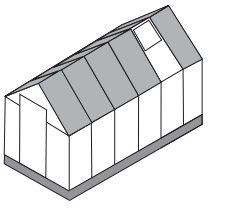
412



993







581 + 318 PVC x1

981 x1

This side out This side out This side

581

318 PVC

581

a

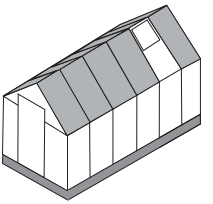
981

981

b

click

981

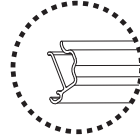


581 + 318 PVC

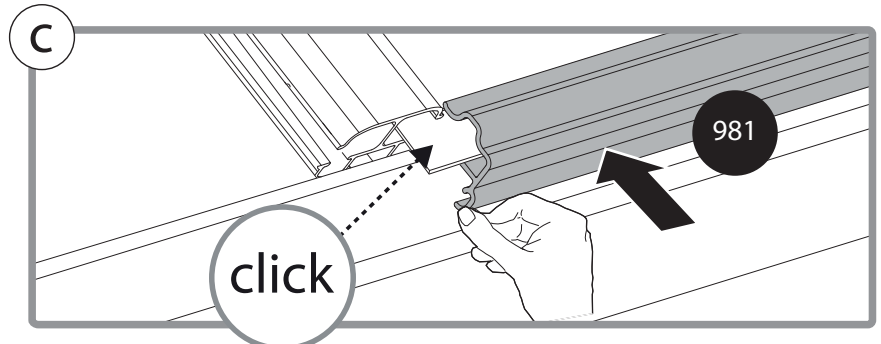
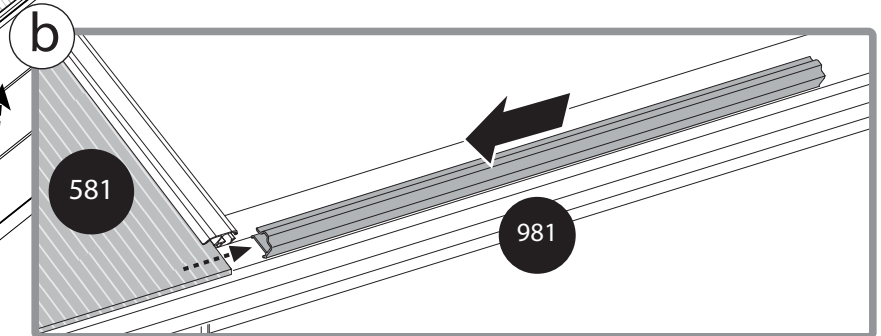
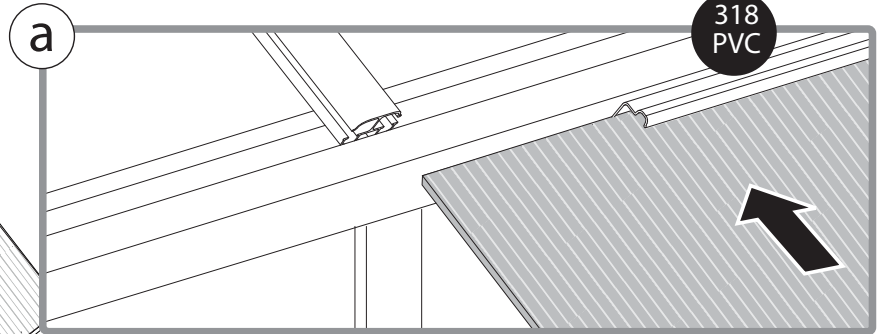
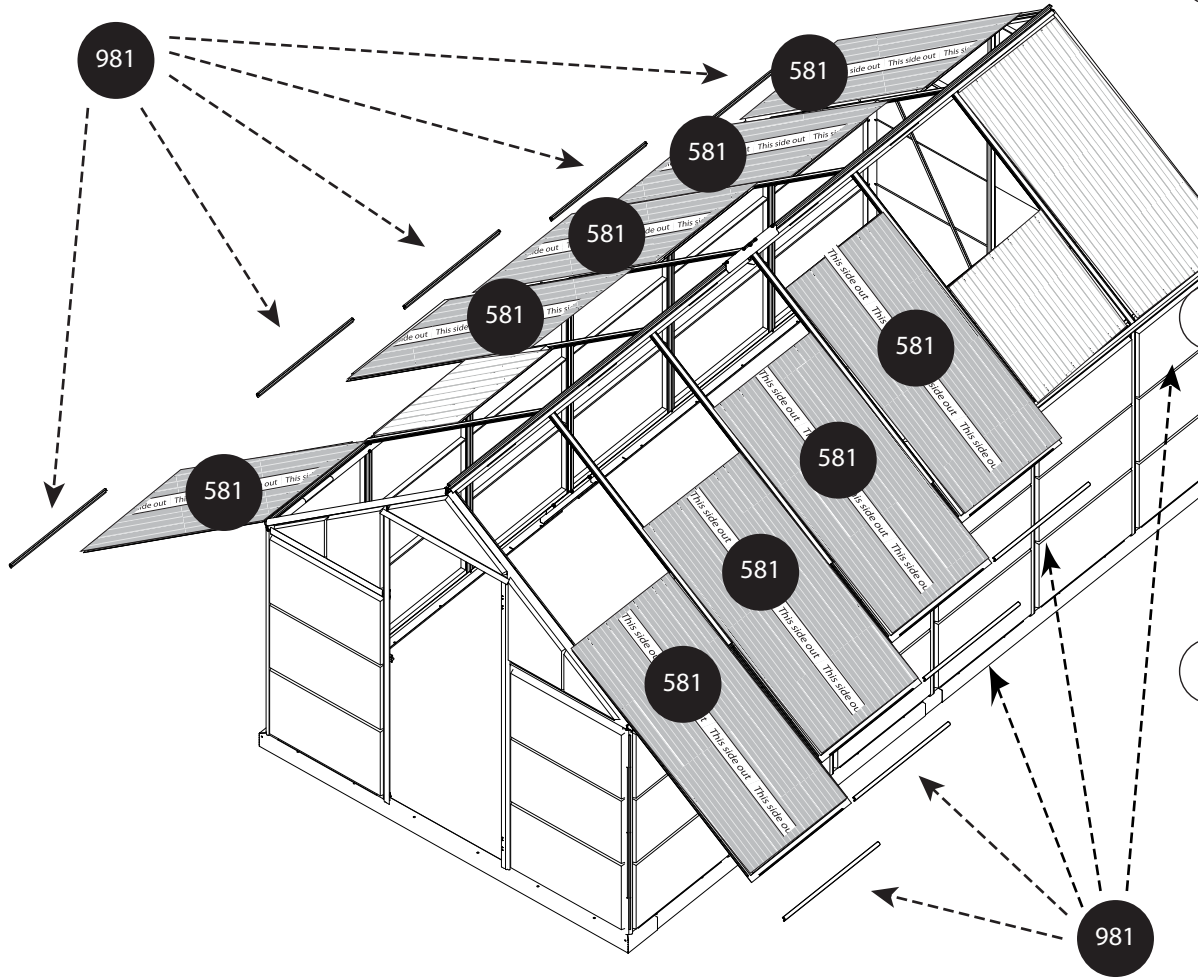


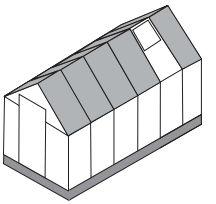
x9

981



x9

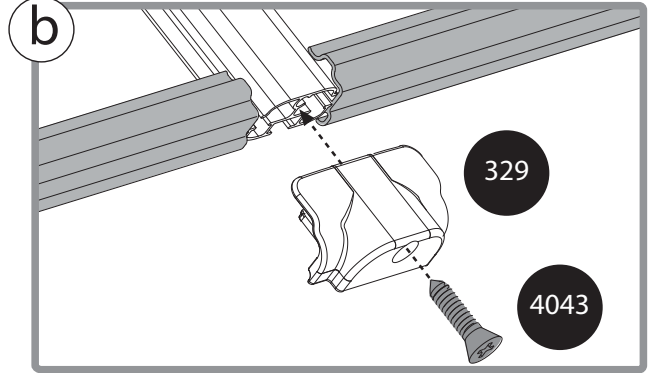
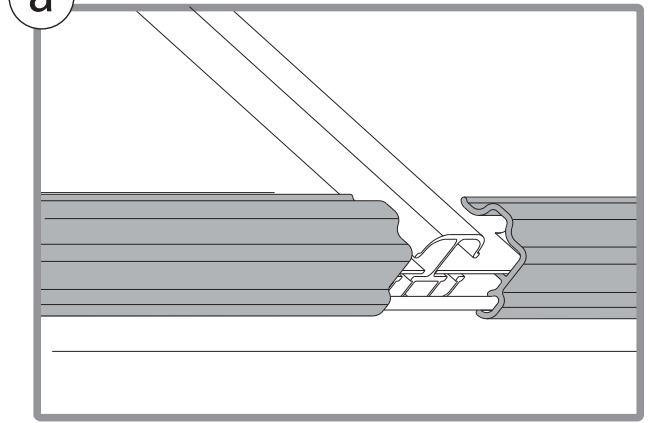
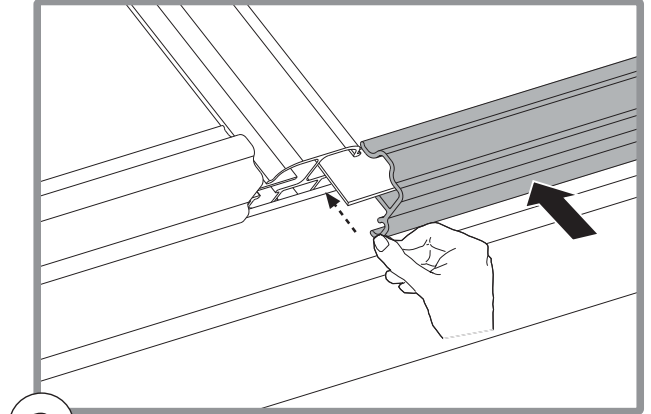
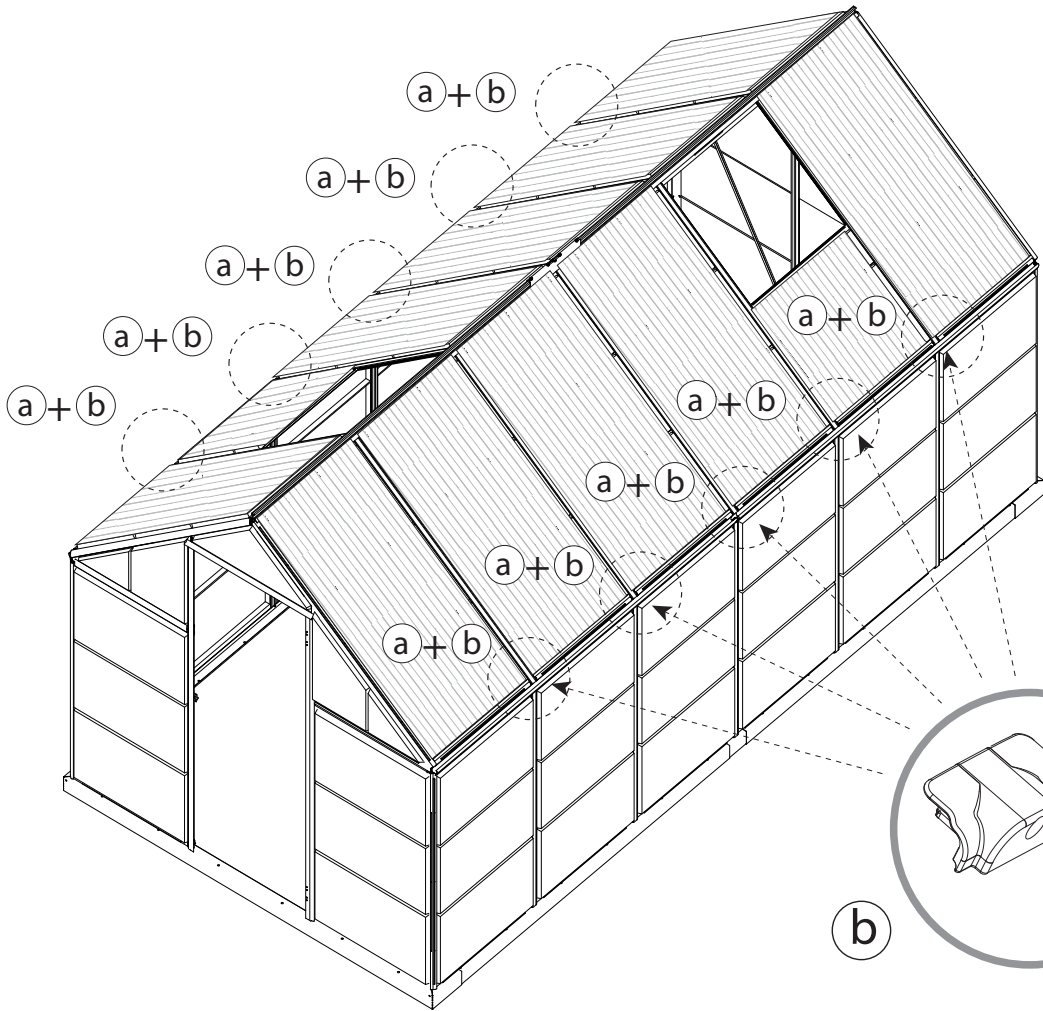


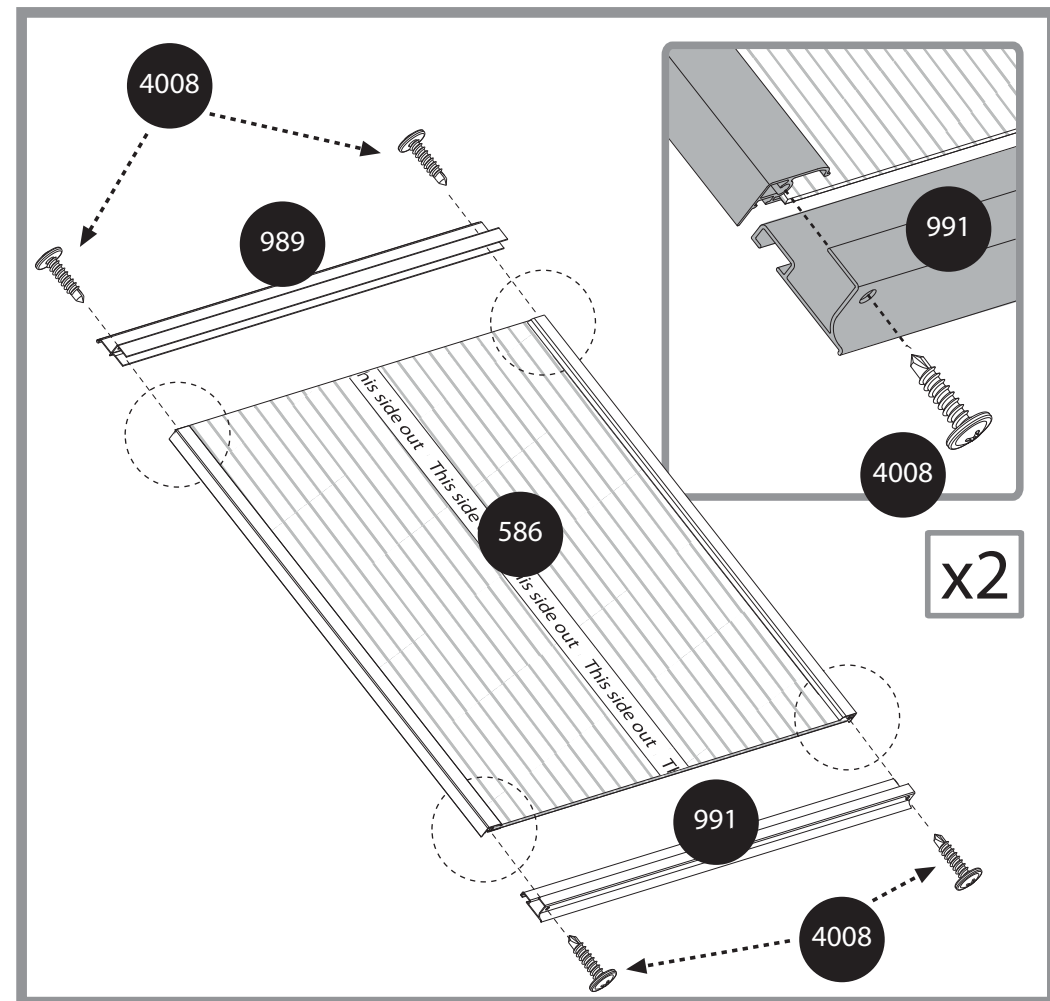
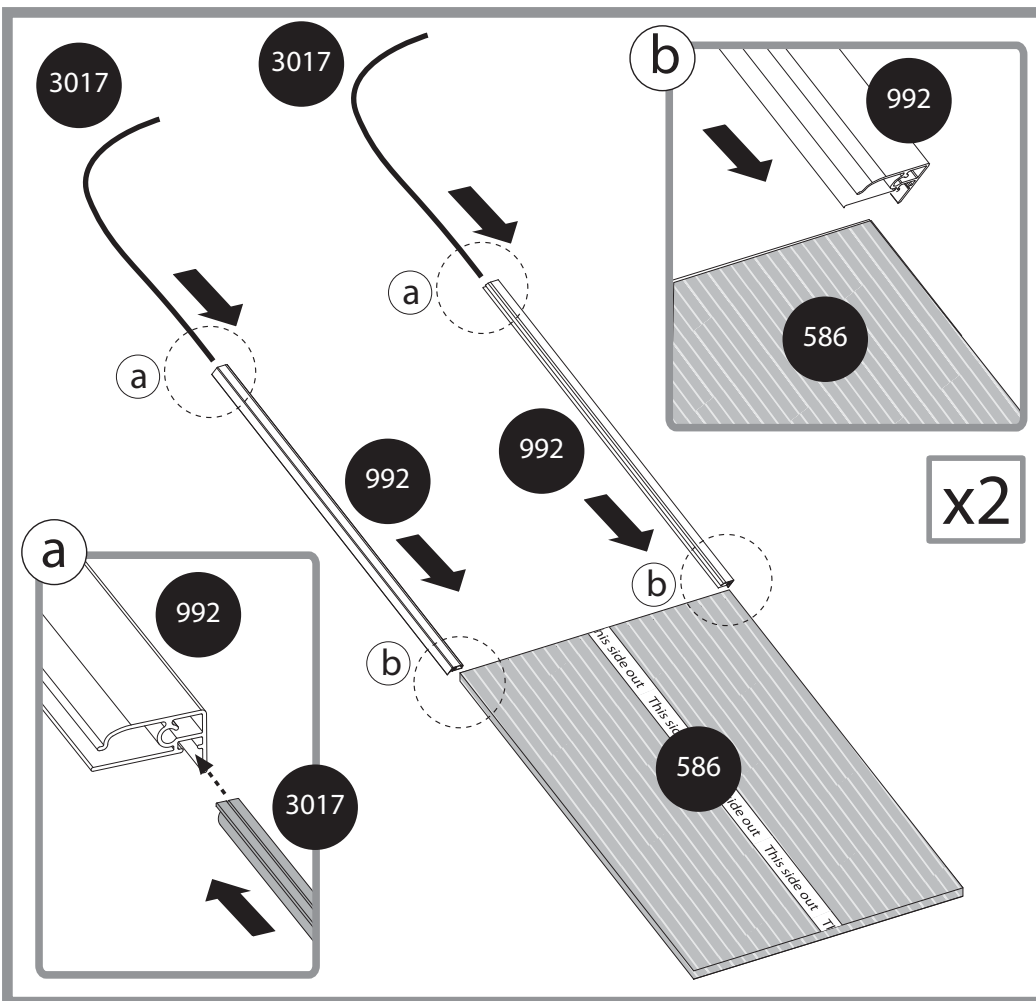
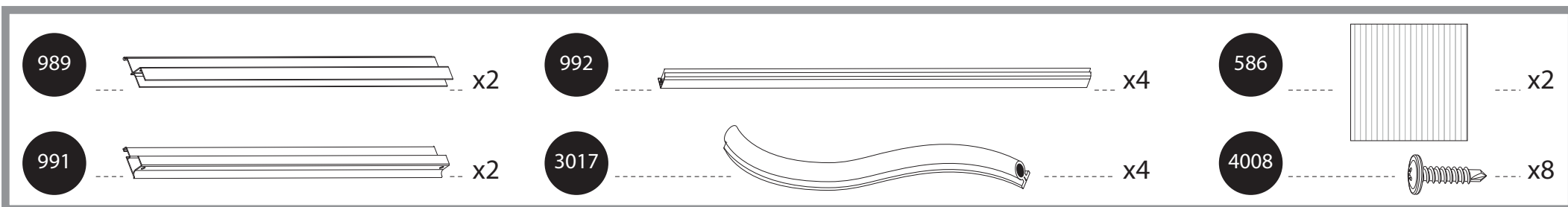
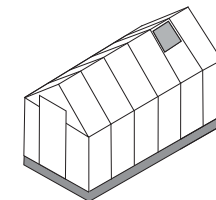


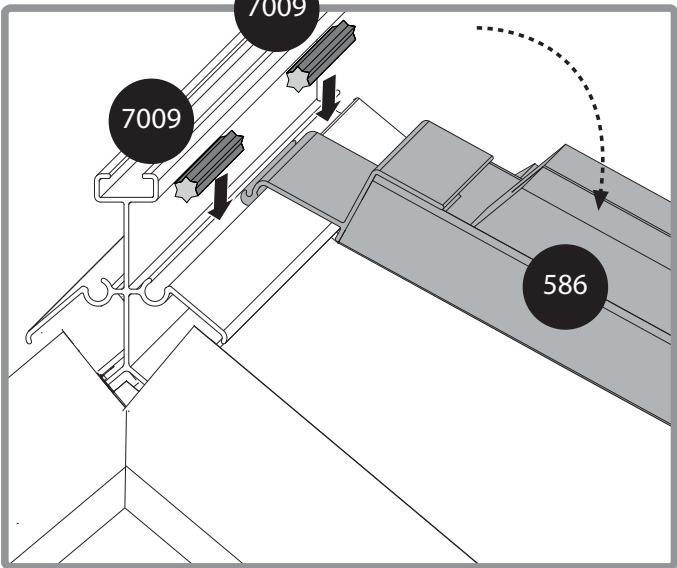
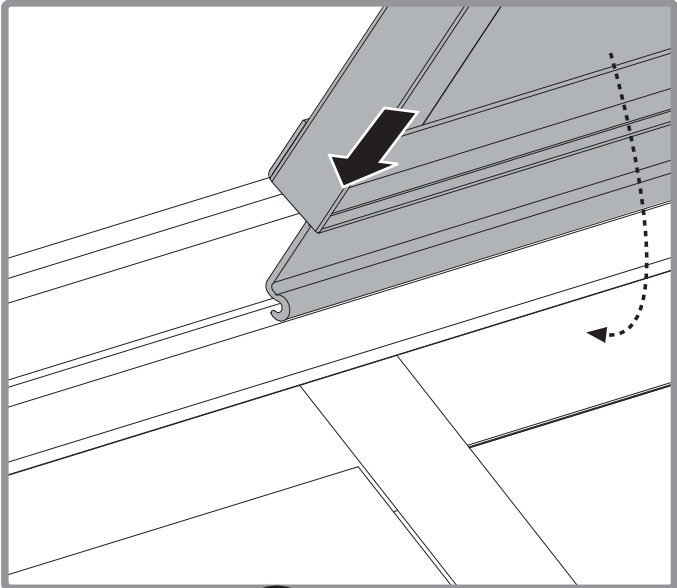
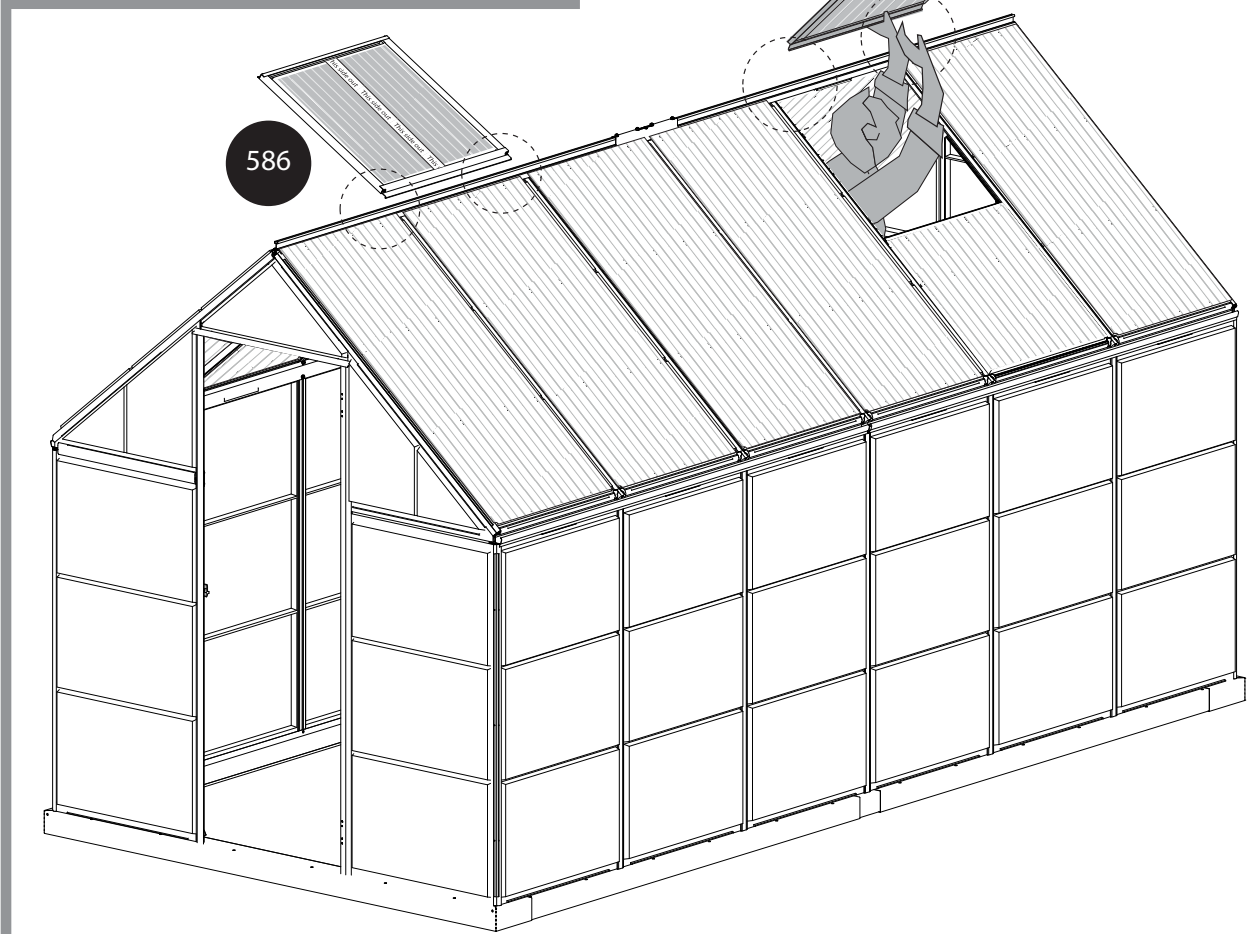
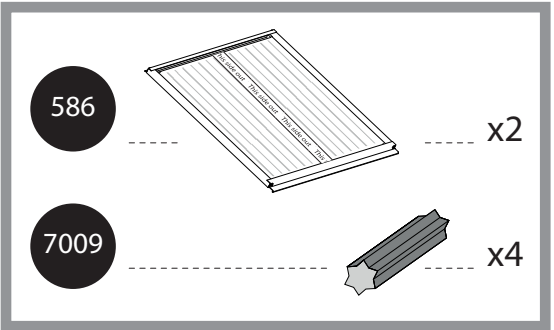
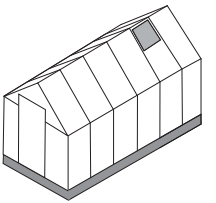
329



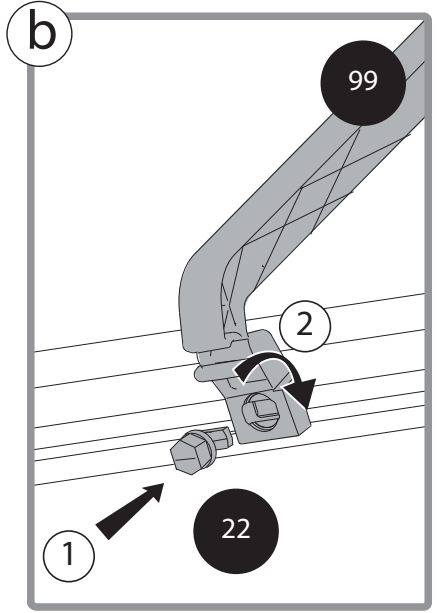
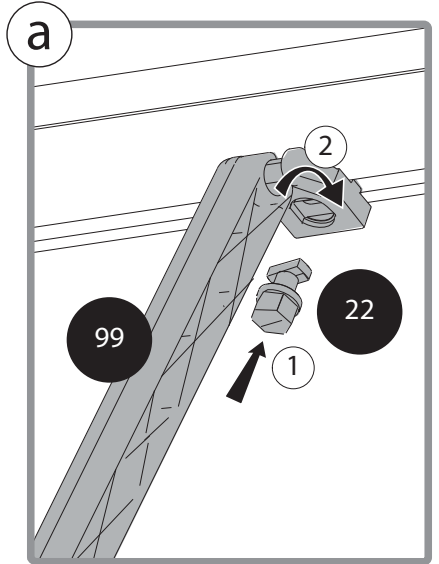
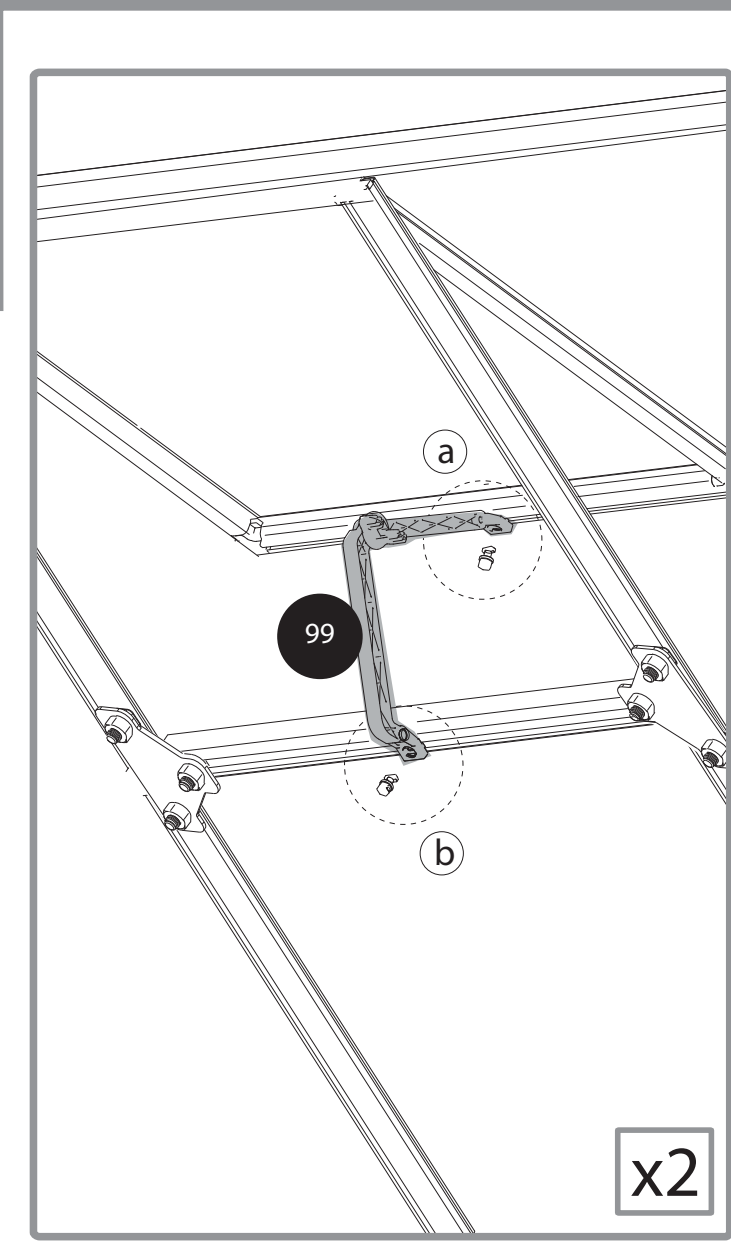
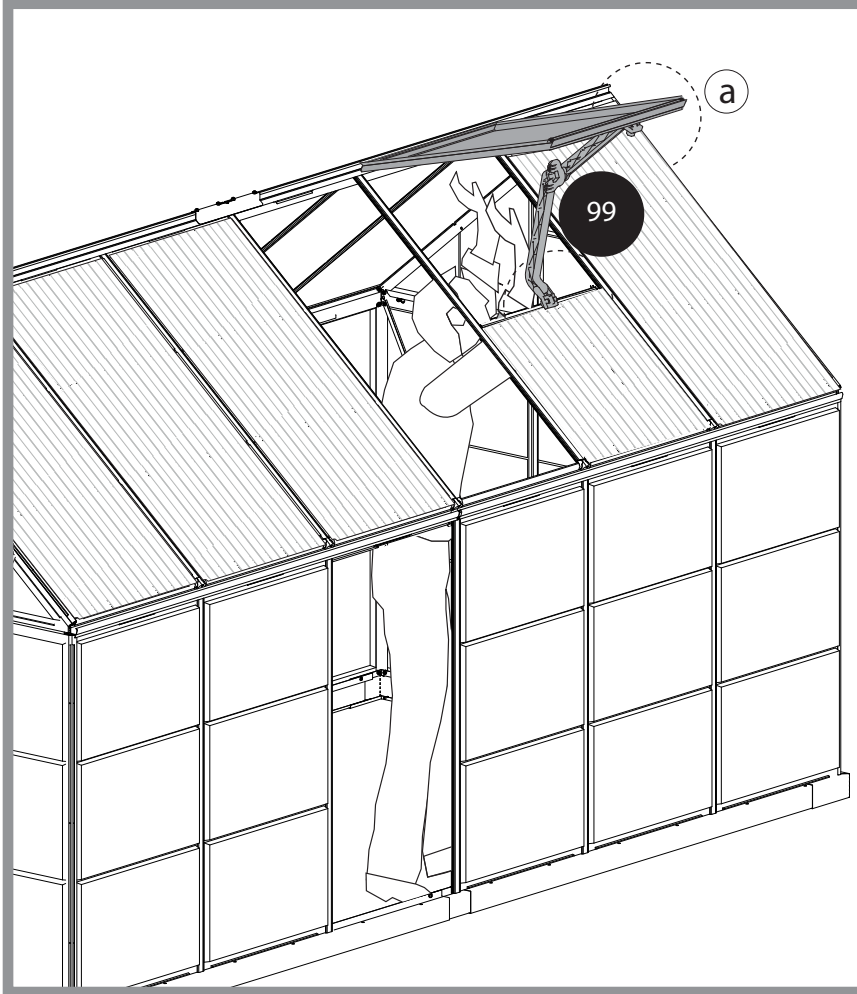
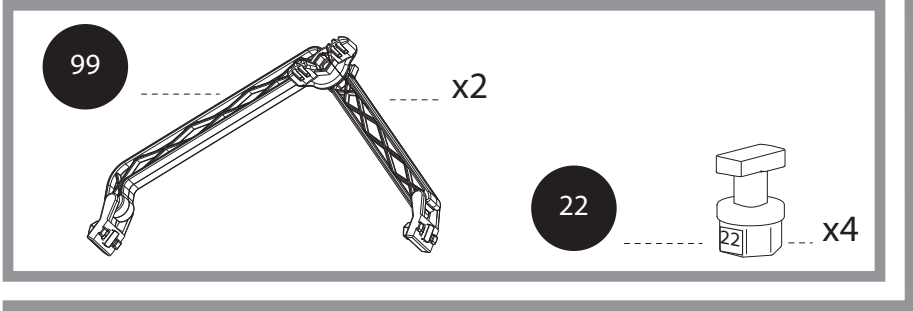
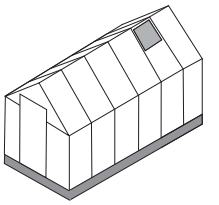
4043

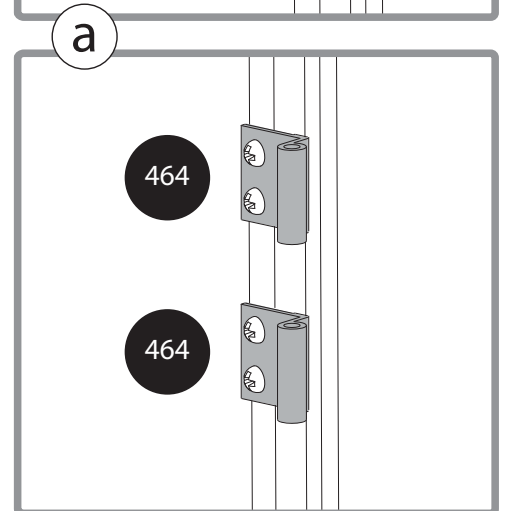
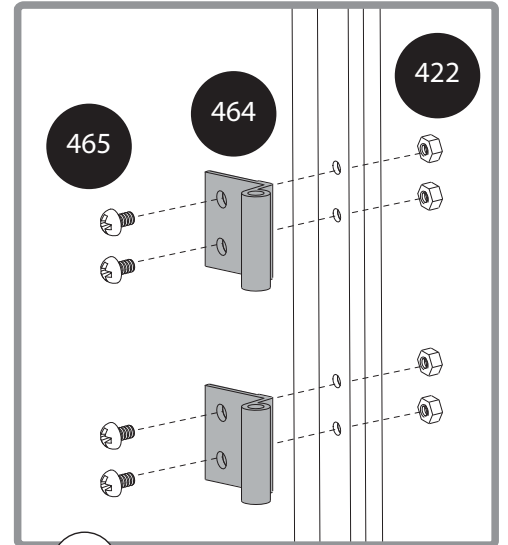
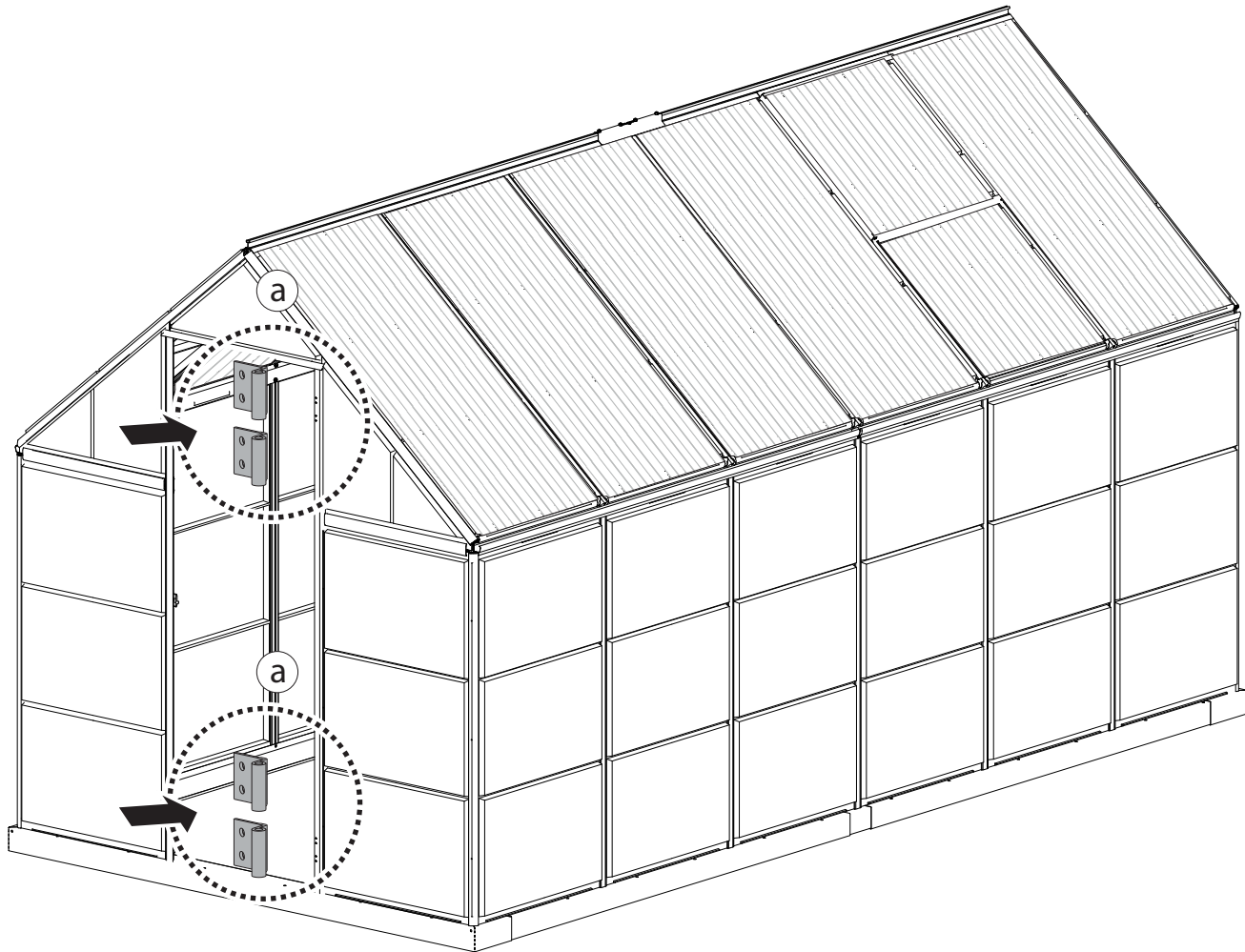
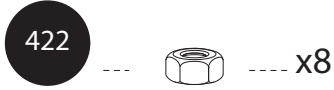
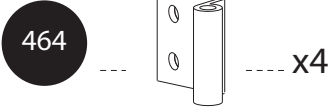
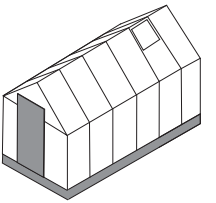


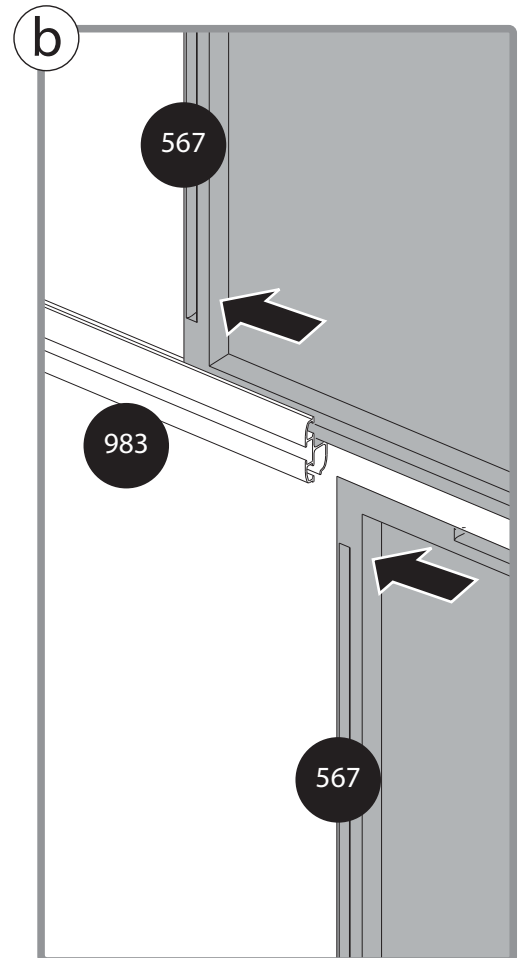
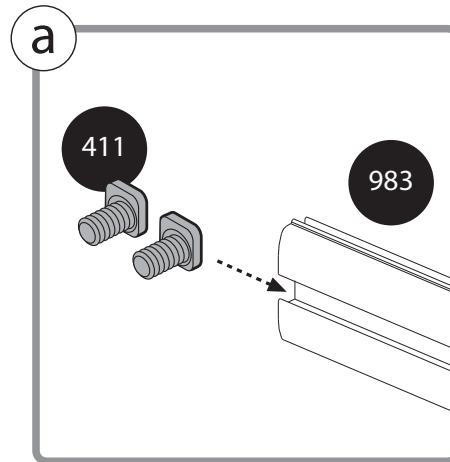
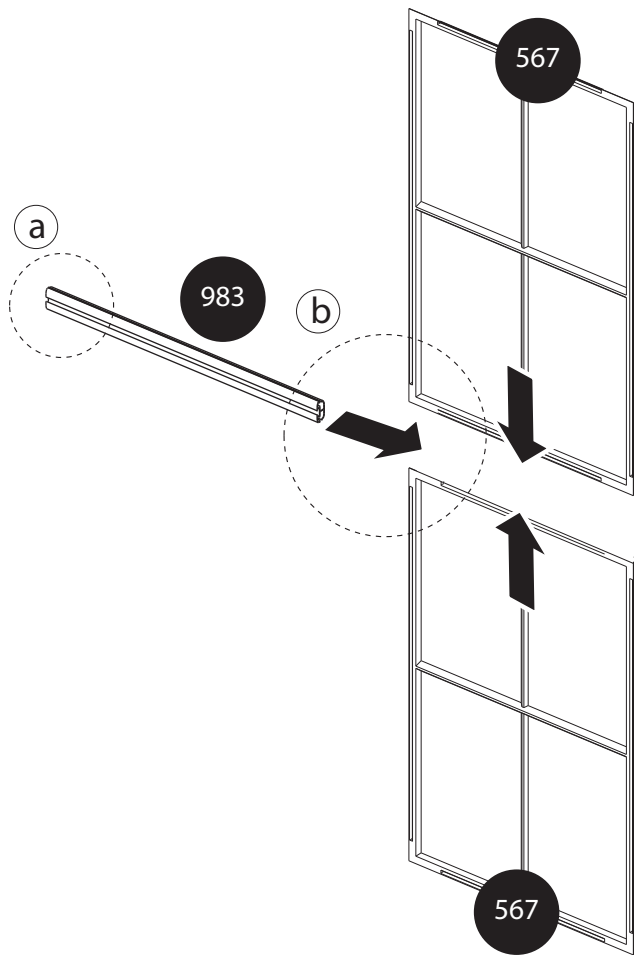
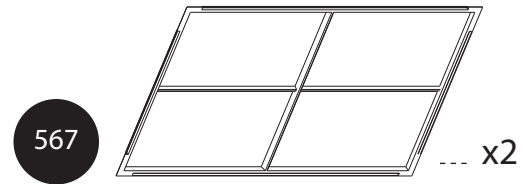
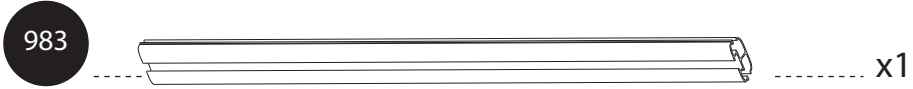
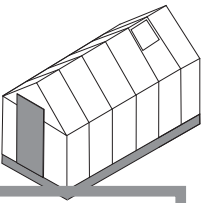


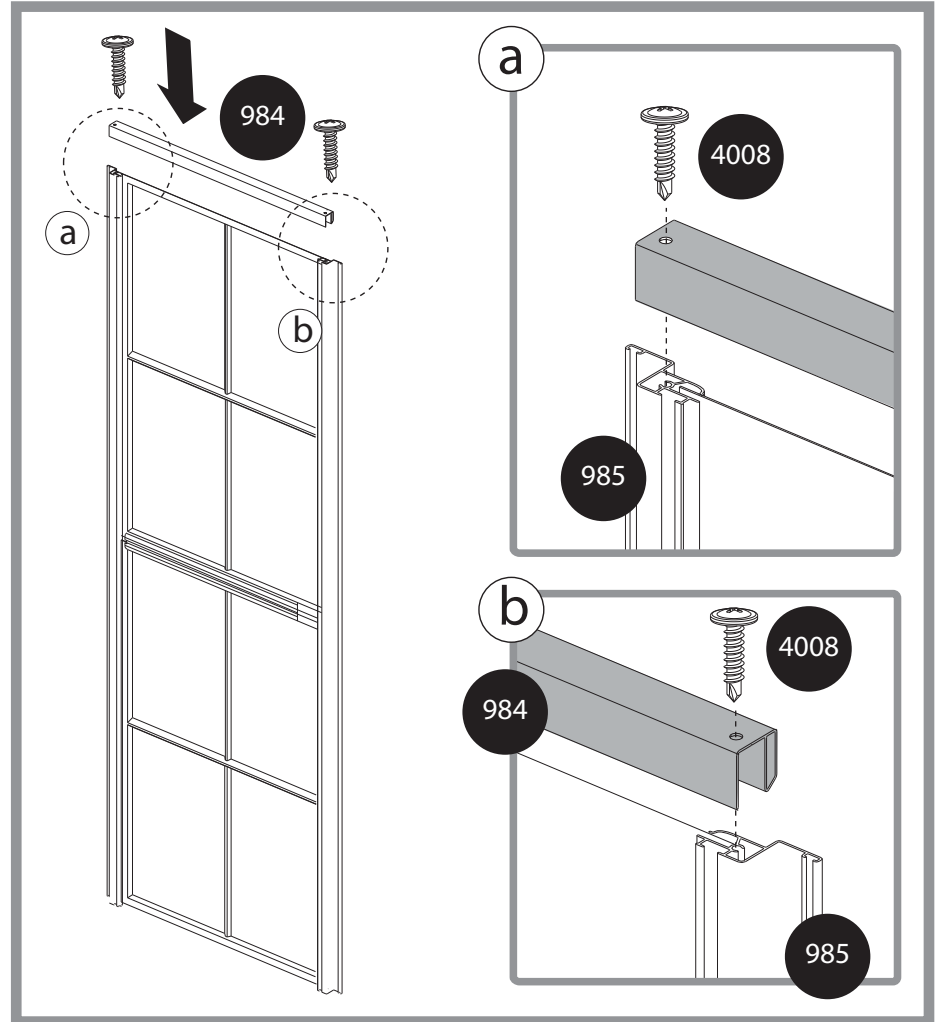
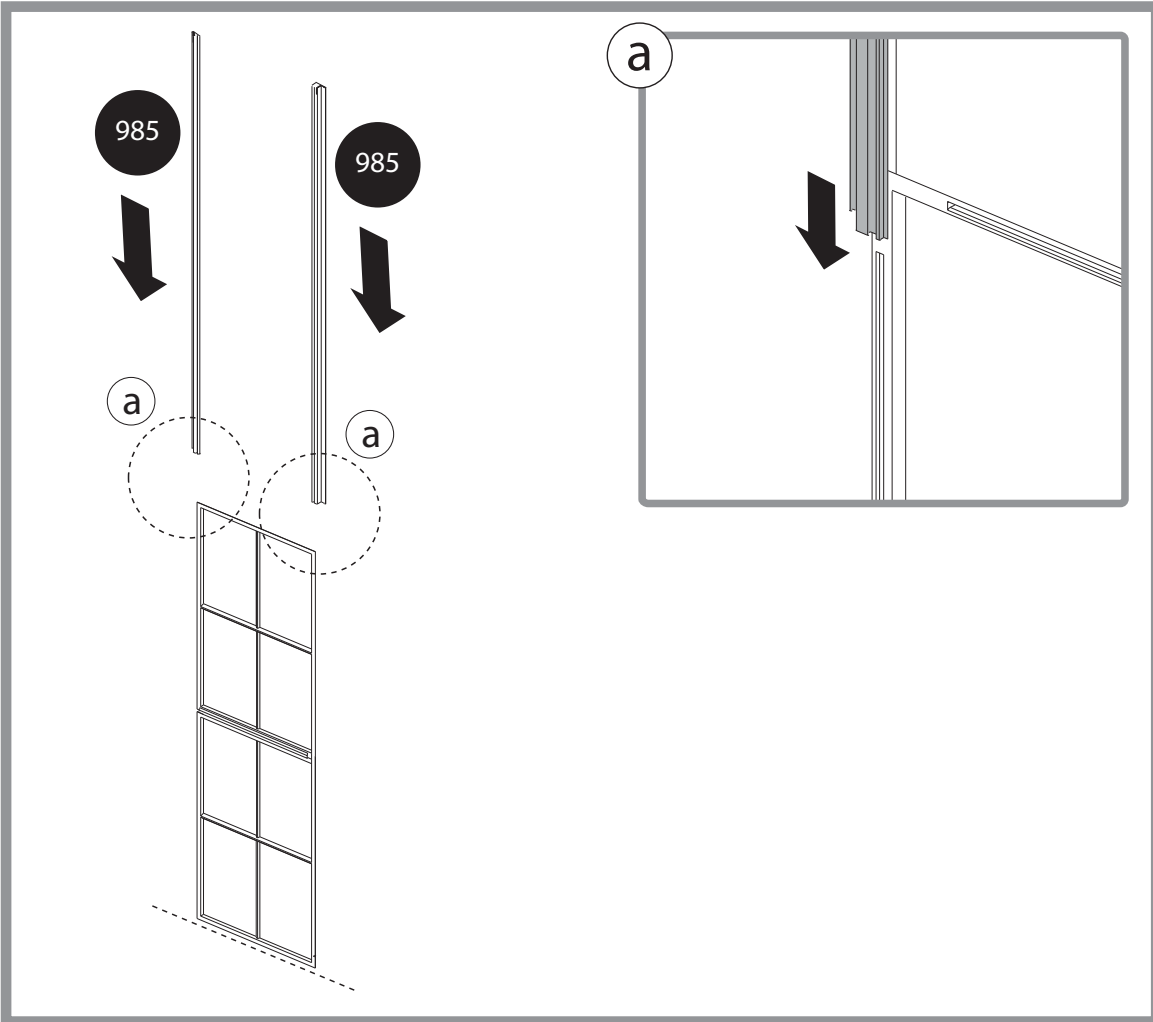
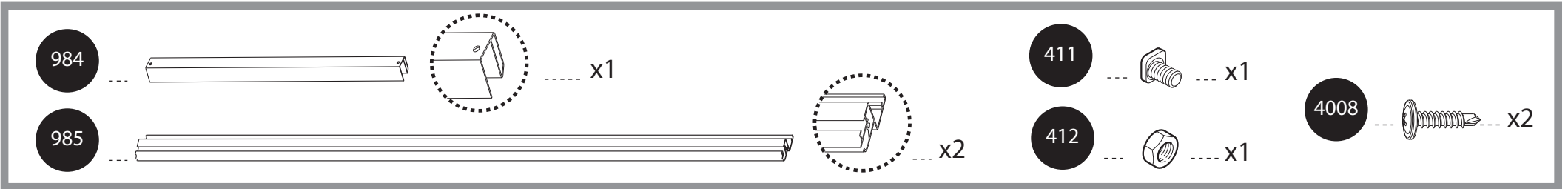
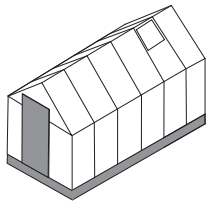


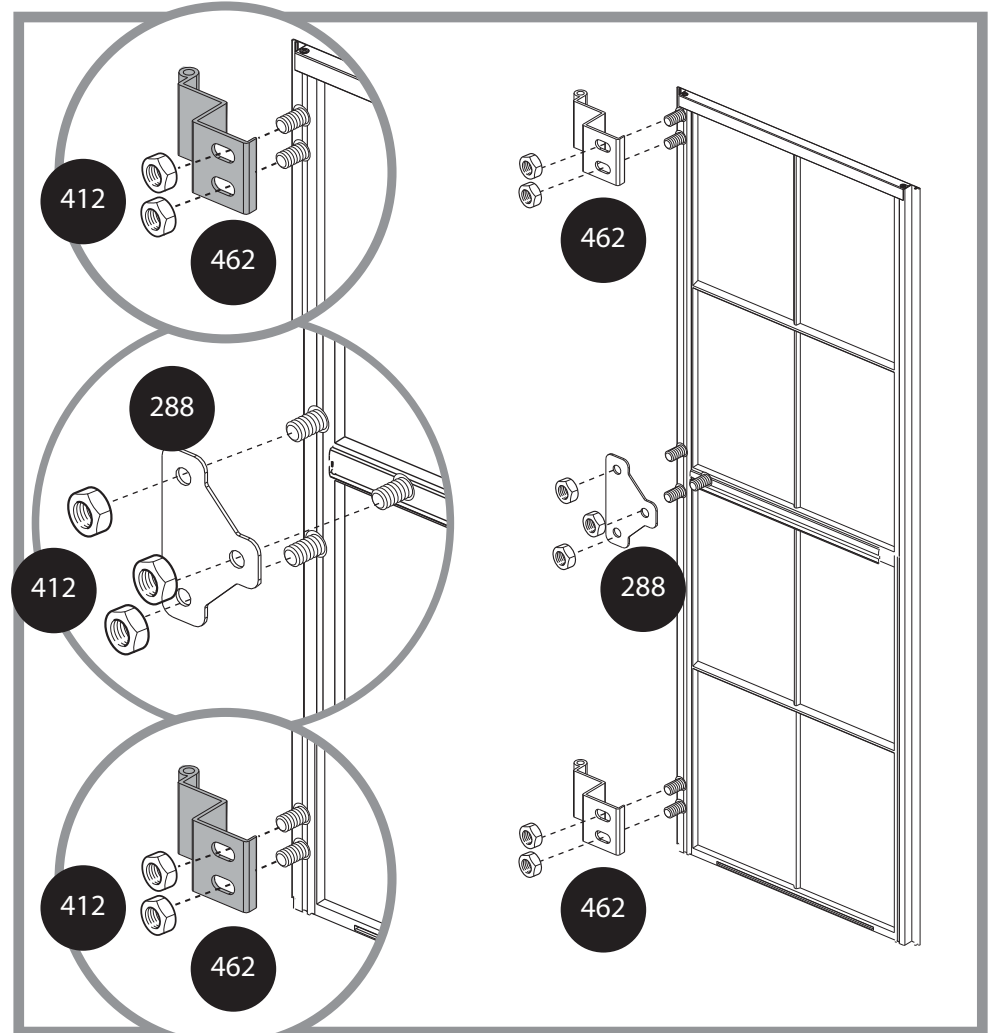
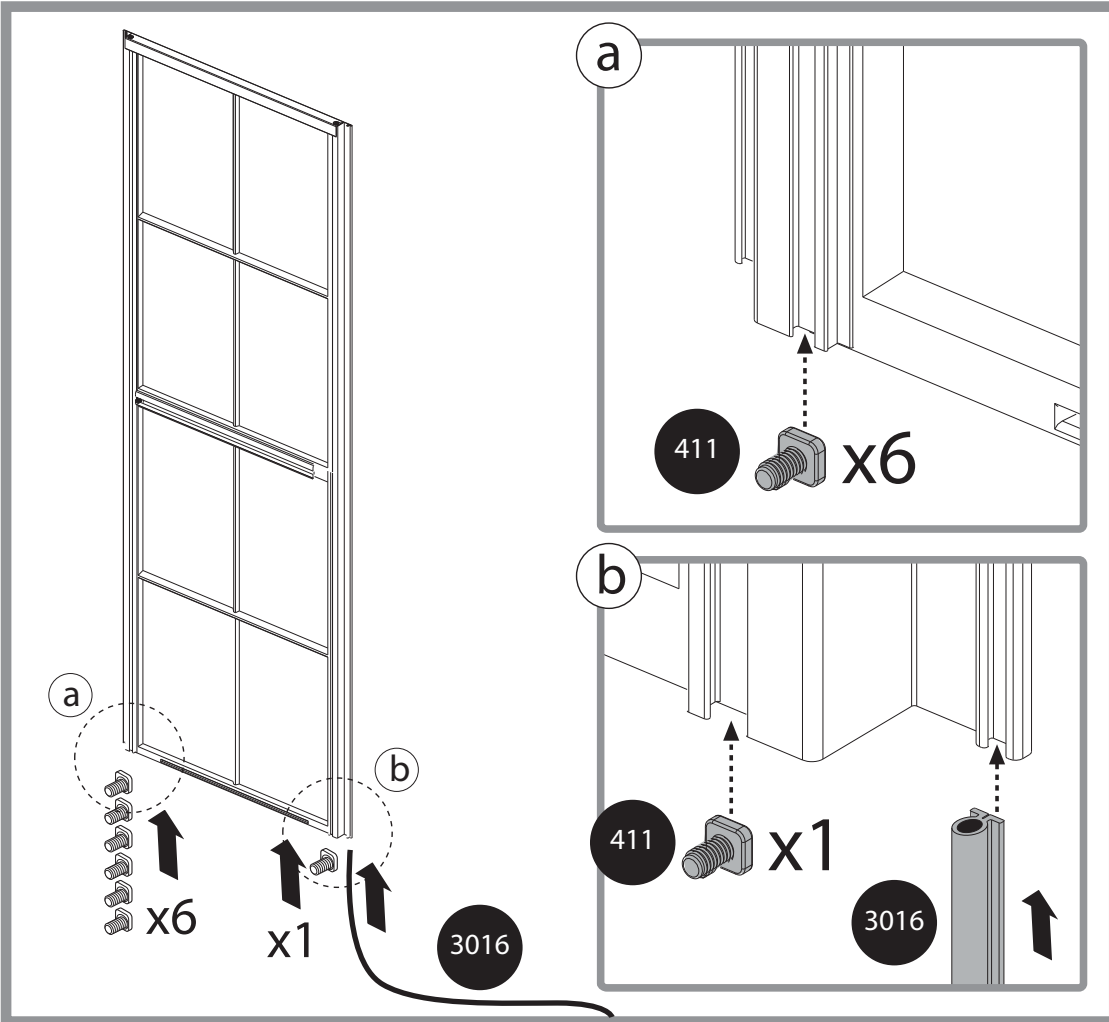
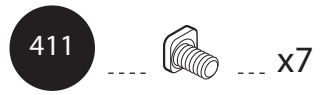
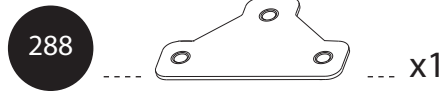
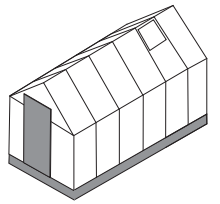
x2

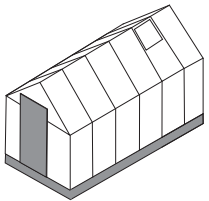








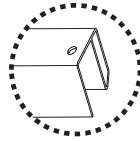
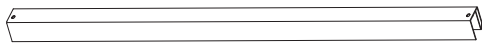




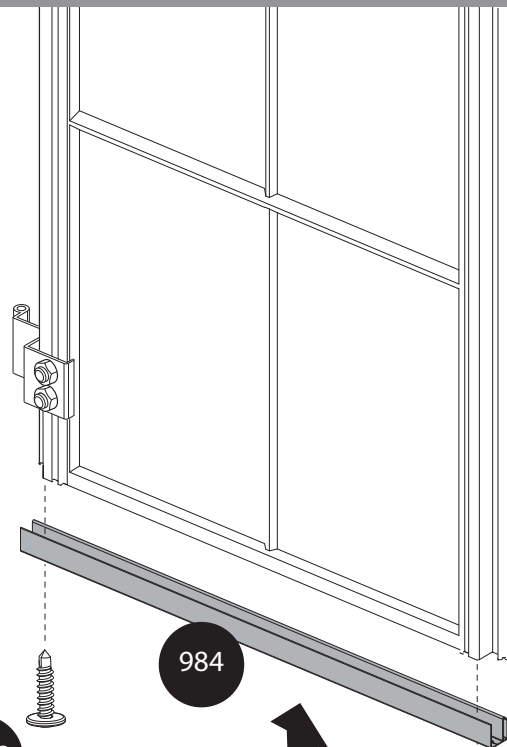
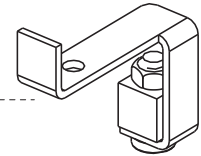
4008x2



984x1



4037x1

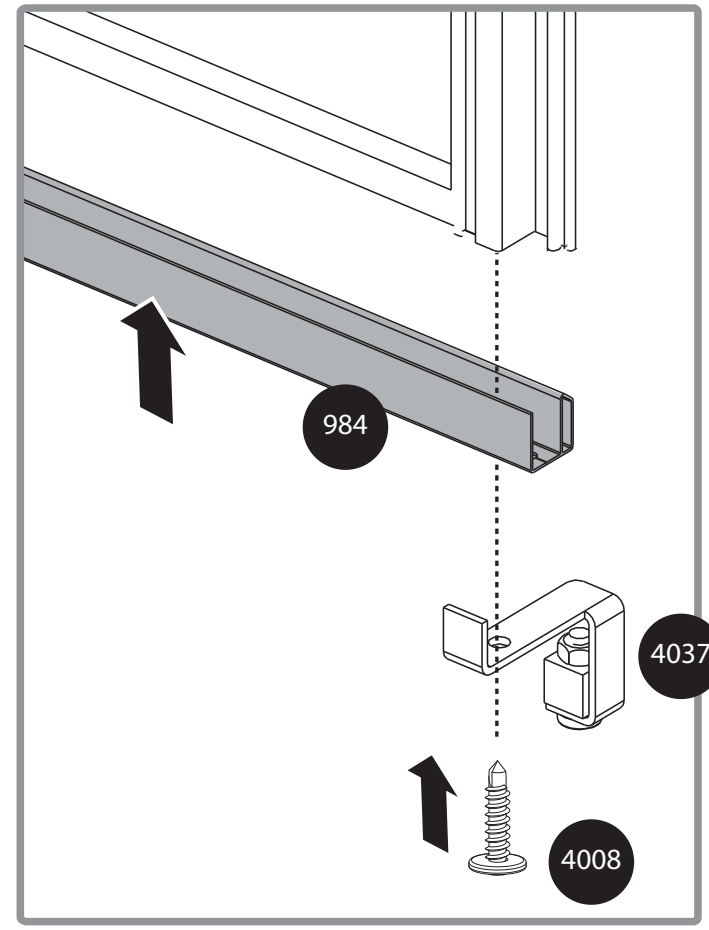


4008

984

4037

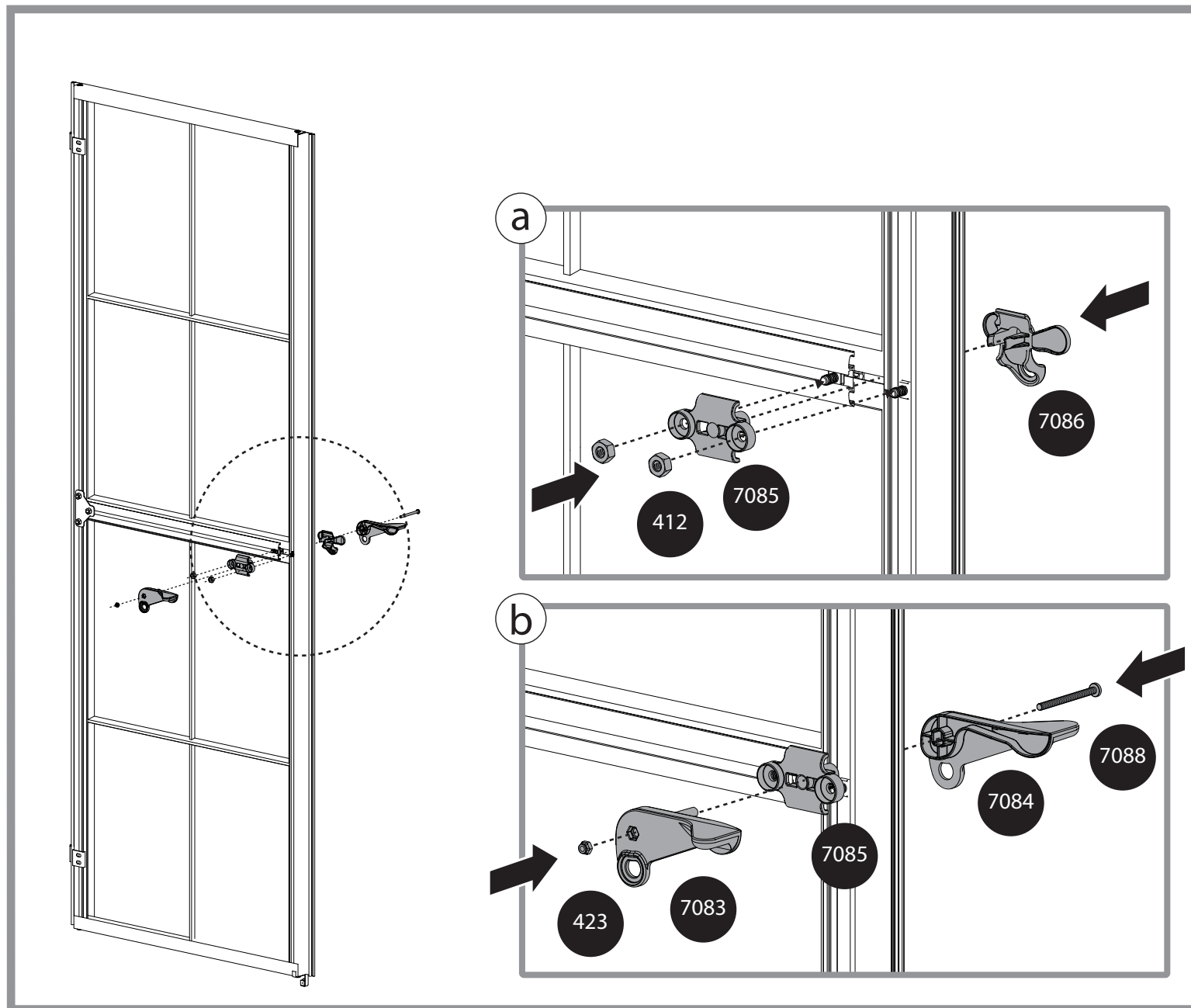
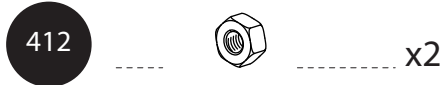
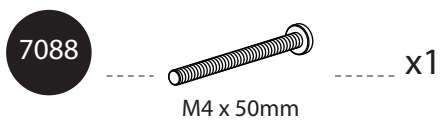
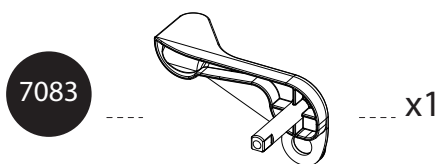
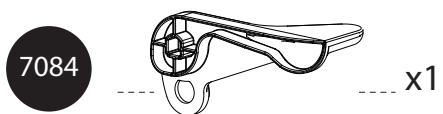
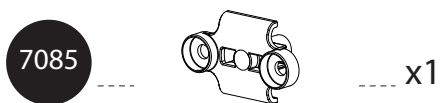
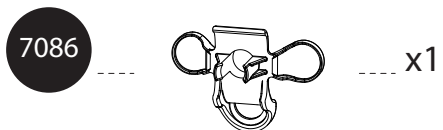
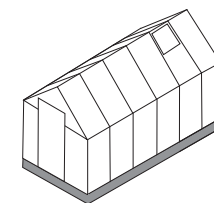
4008

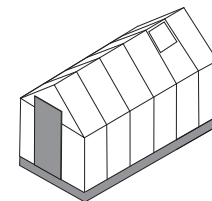


984

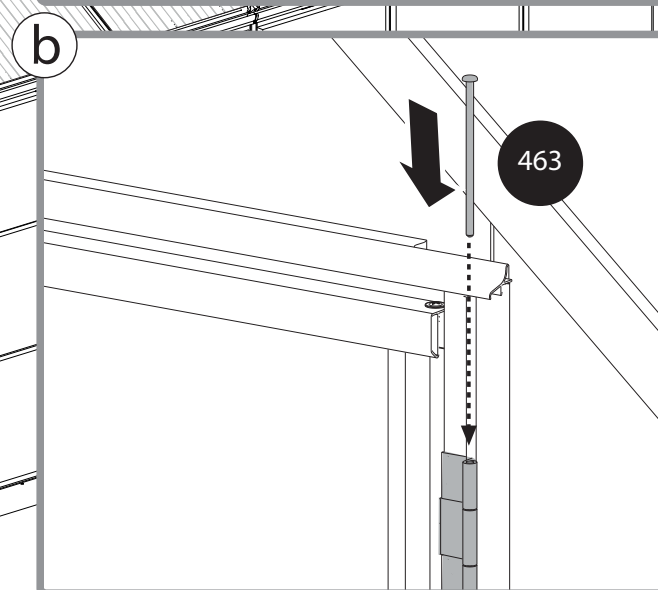
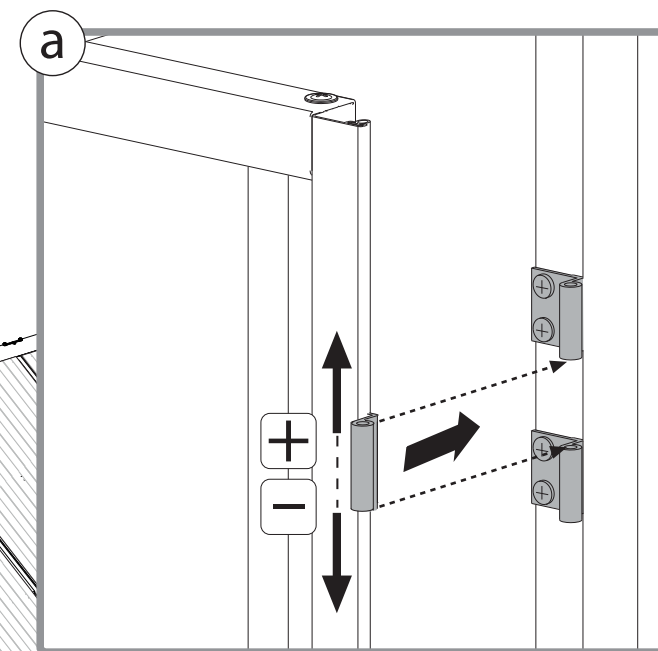
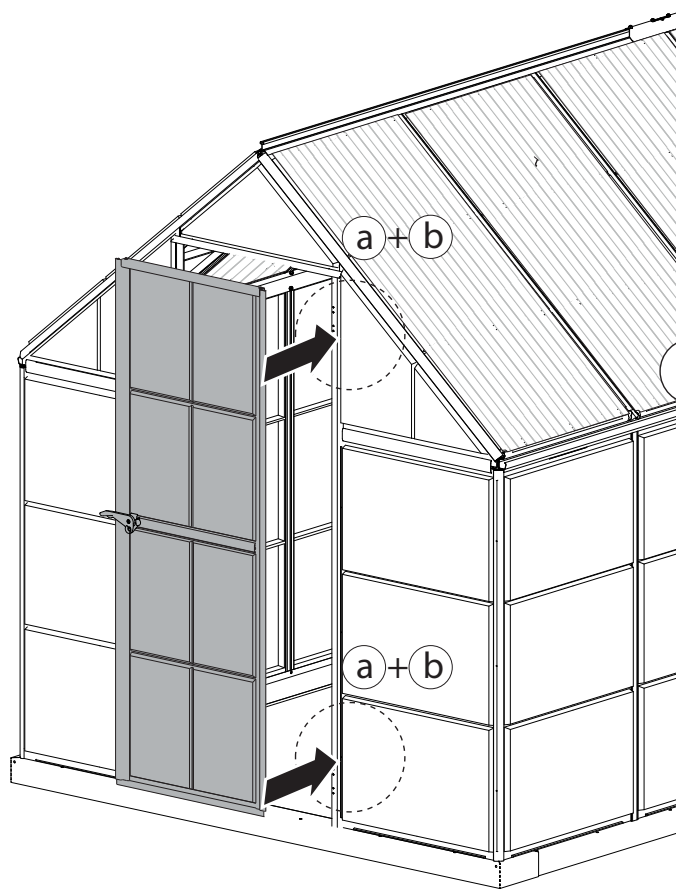
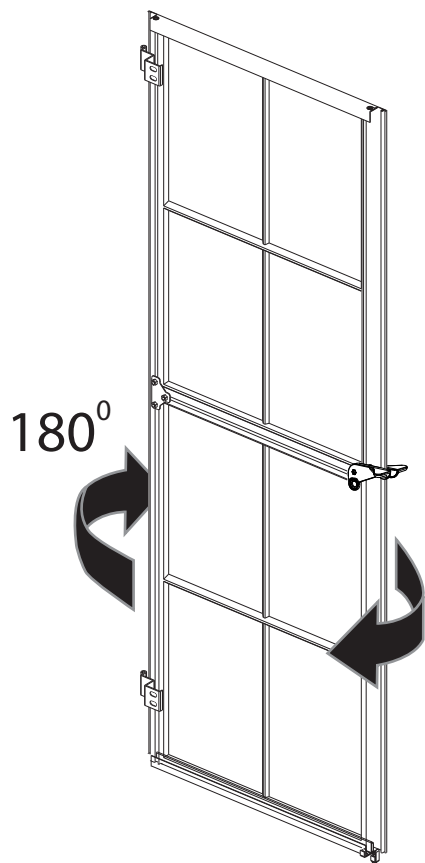
4037

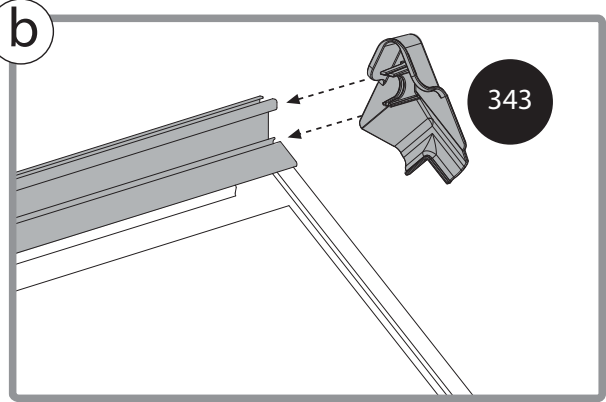
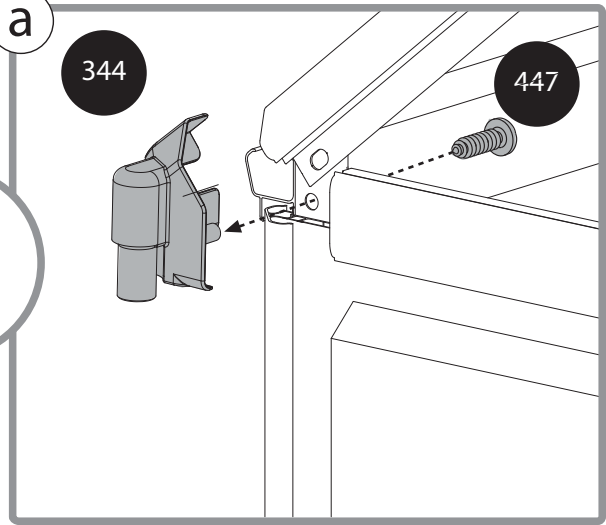
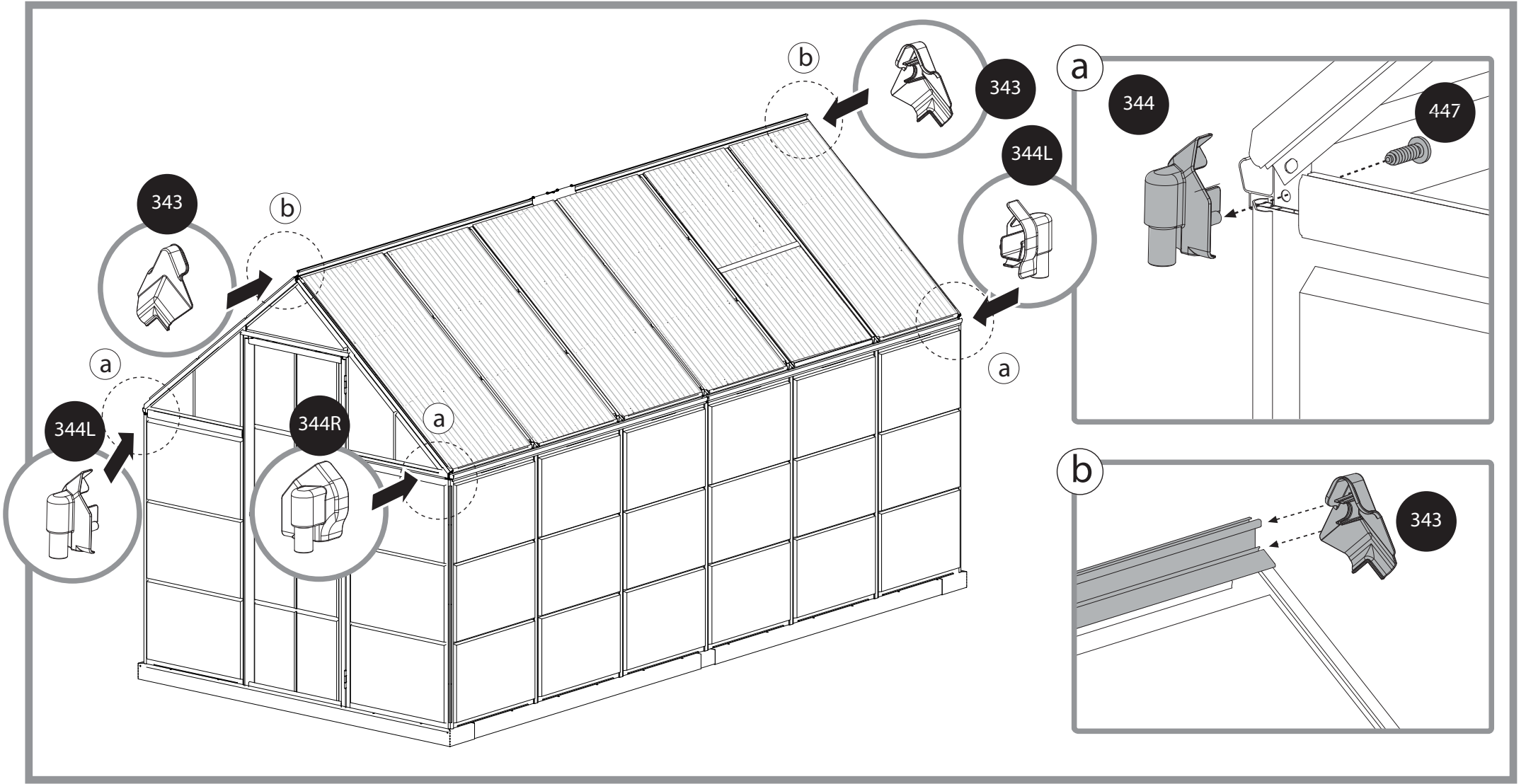
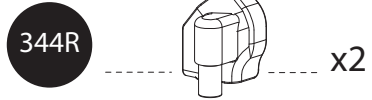
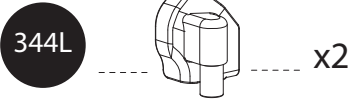
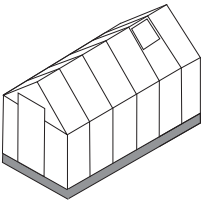
4008

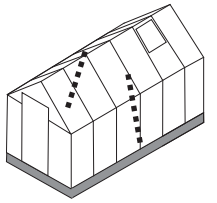




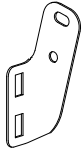
463x2







926



x2

461



x4

411

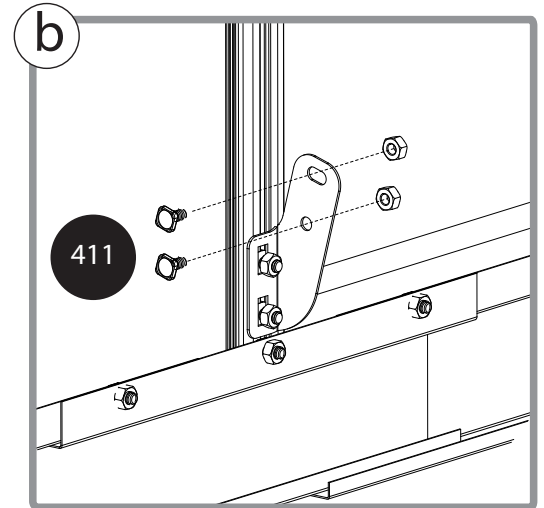
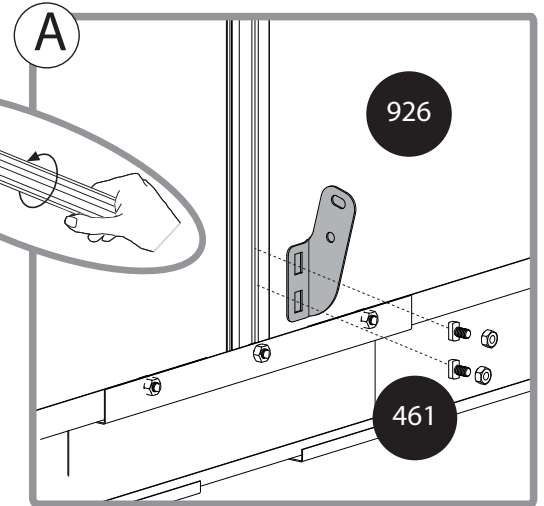
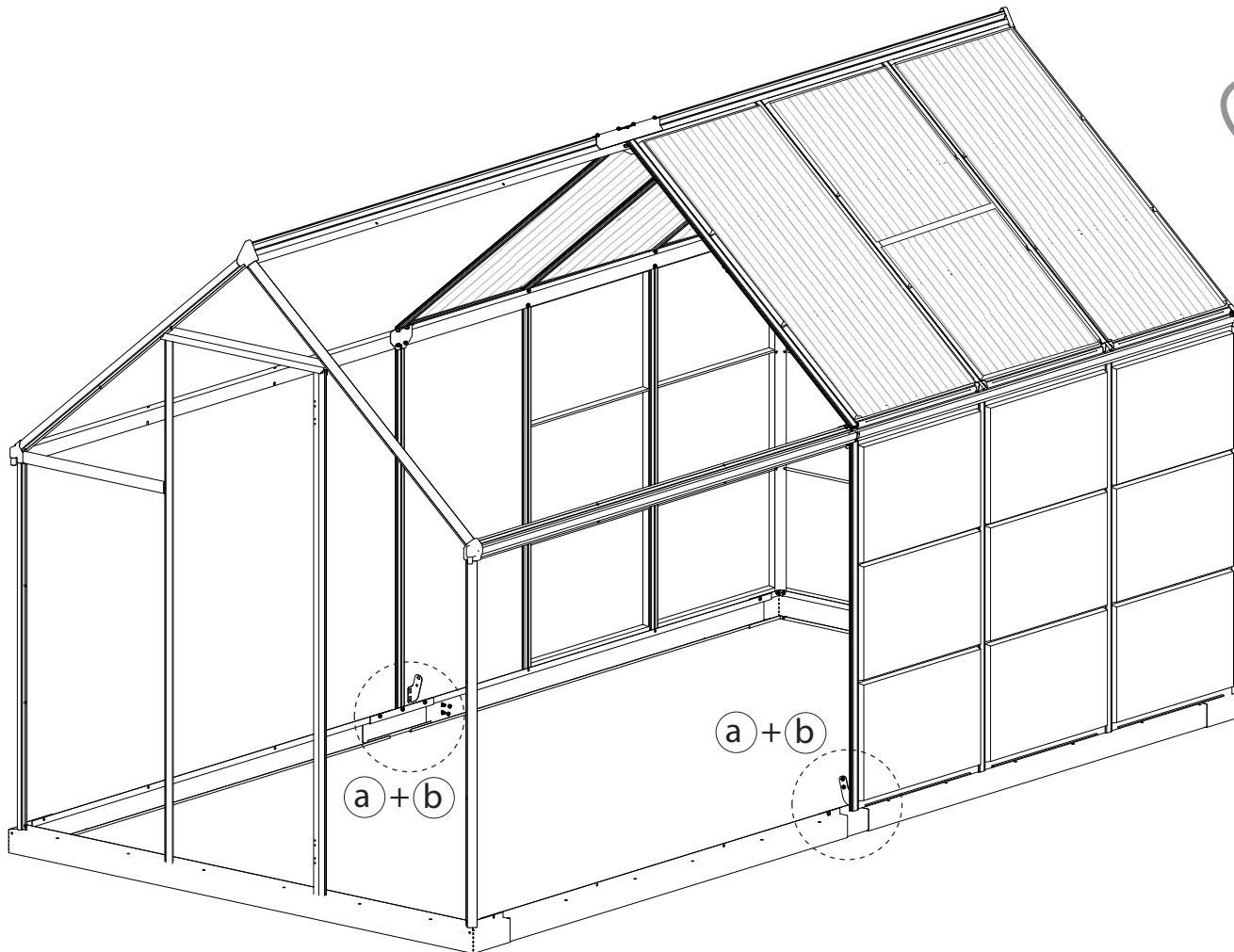


x4

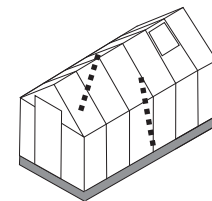
412



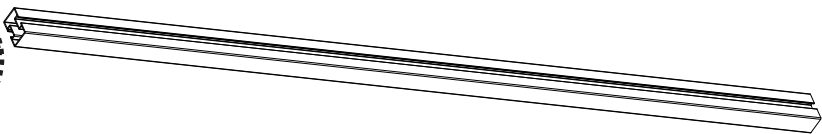
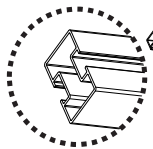
x8



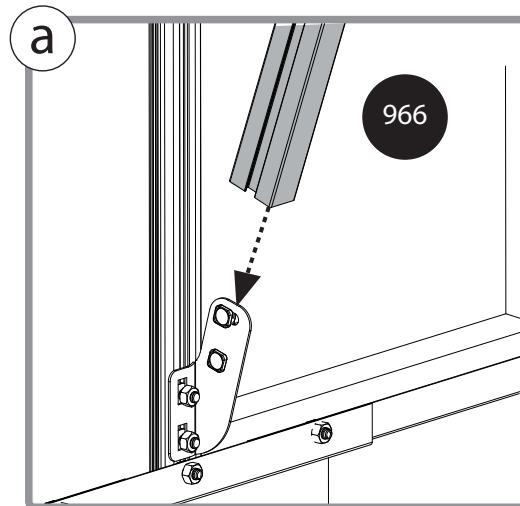
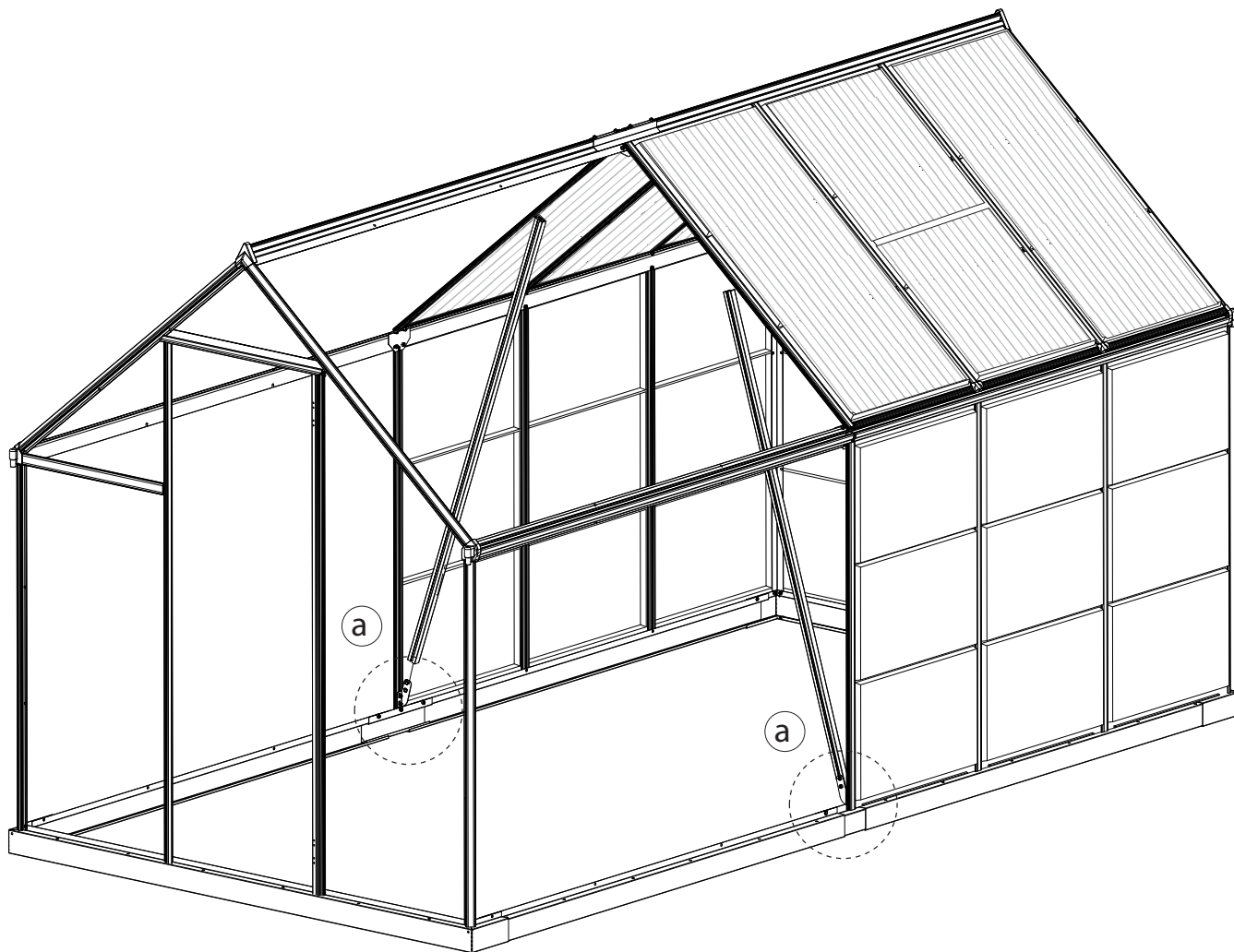
65



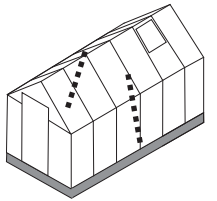
966



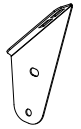
x2



66

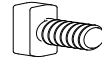


456



x2

461



x4

411

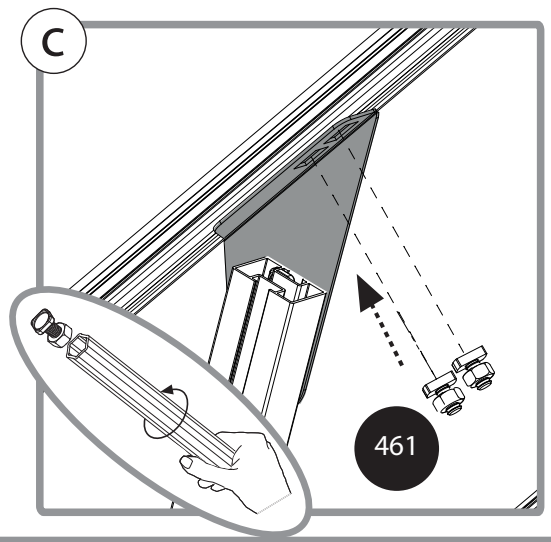
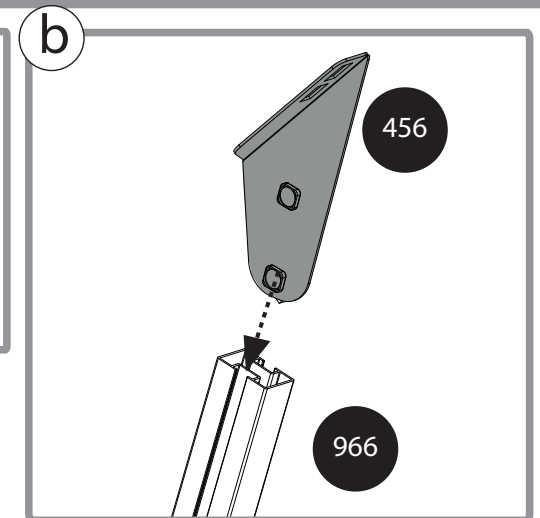
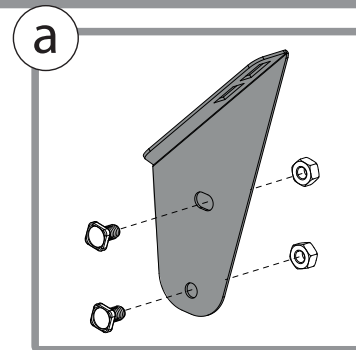
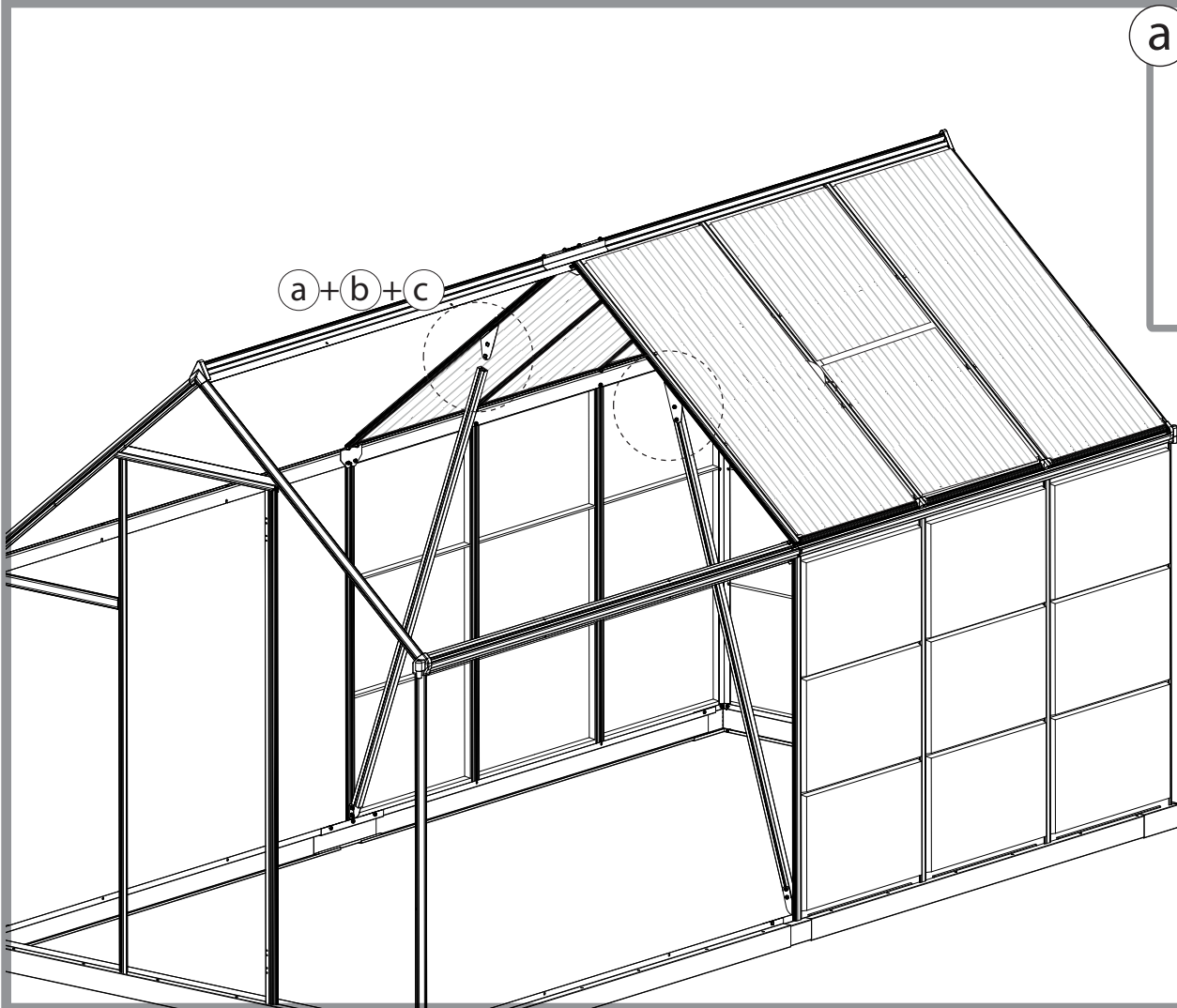


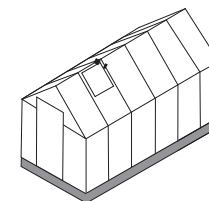
x8

412

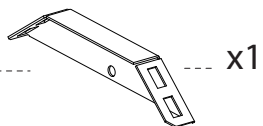


x8



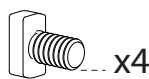


459



x1

461

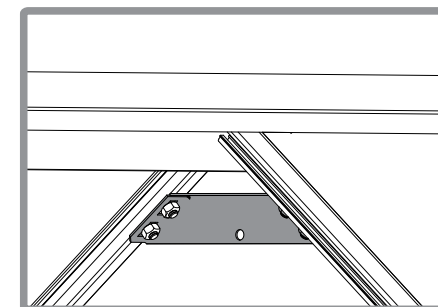
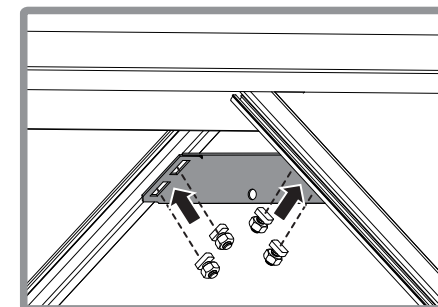
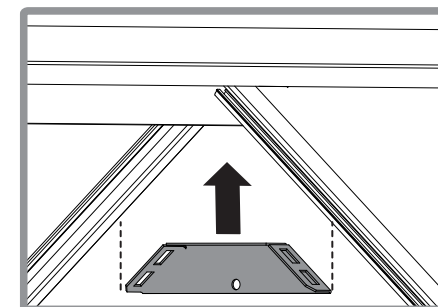
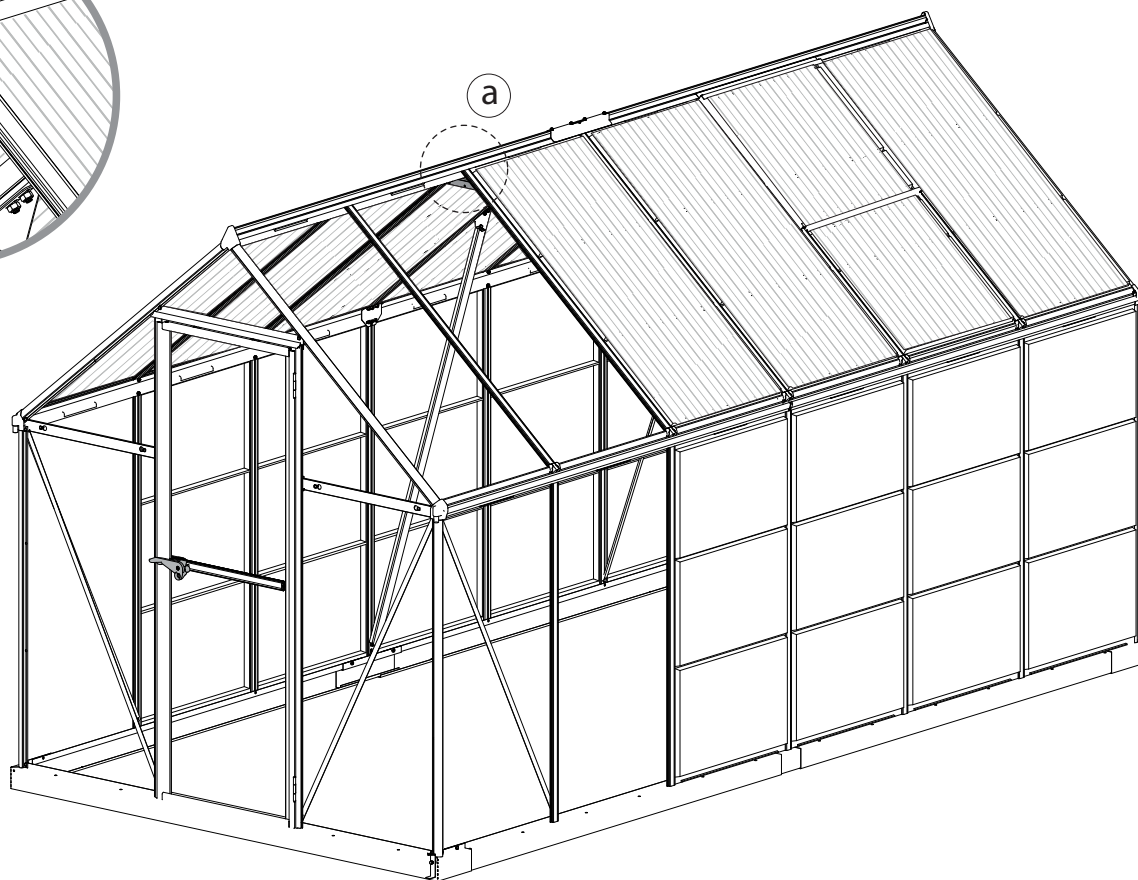
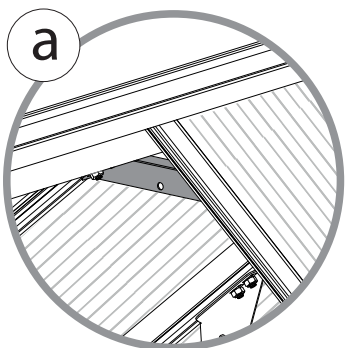


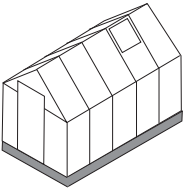
x4

412

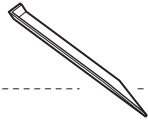


x8



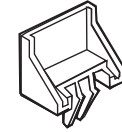


M96



x6

P328



x34

